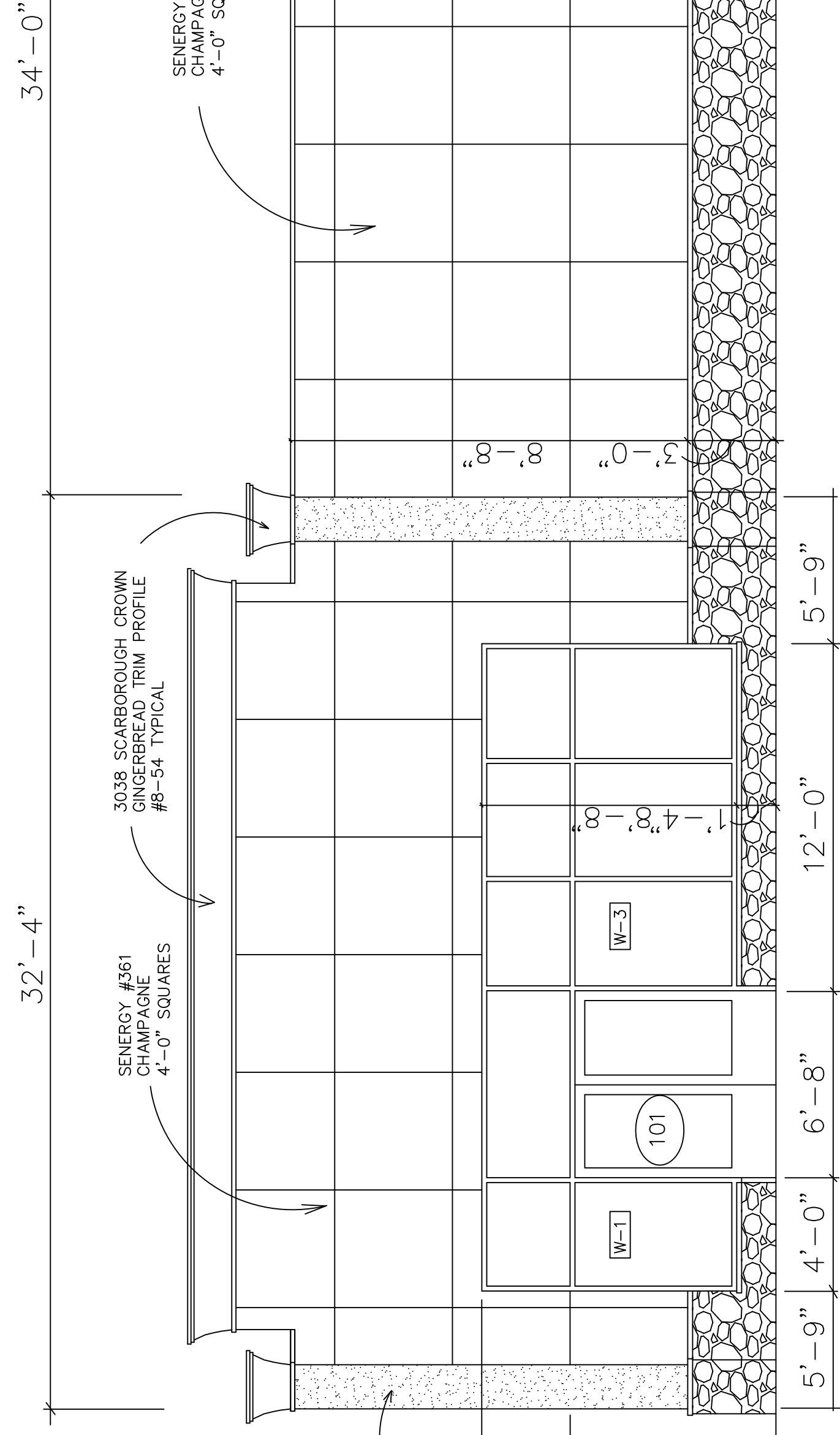


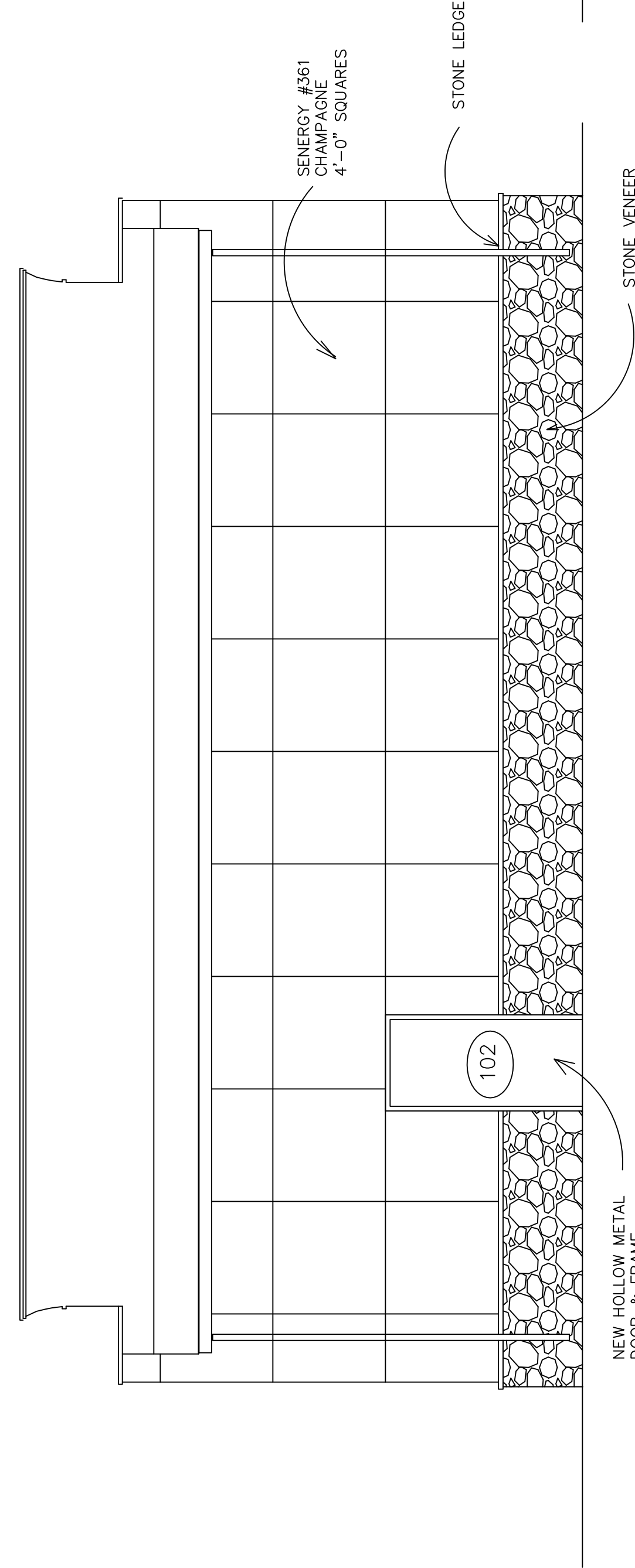
SOUTH ELEVATION

SCALE: 1/4" = 1'-0"



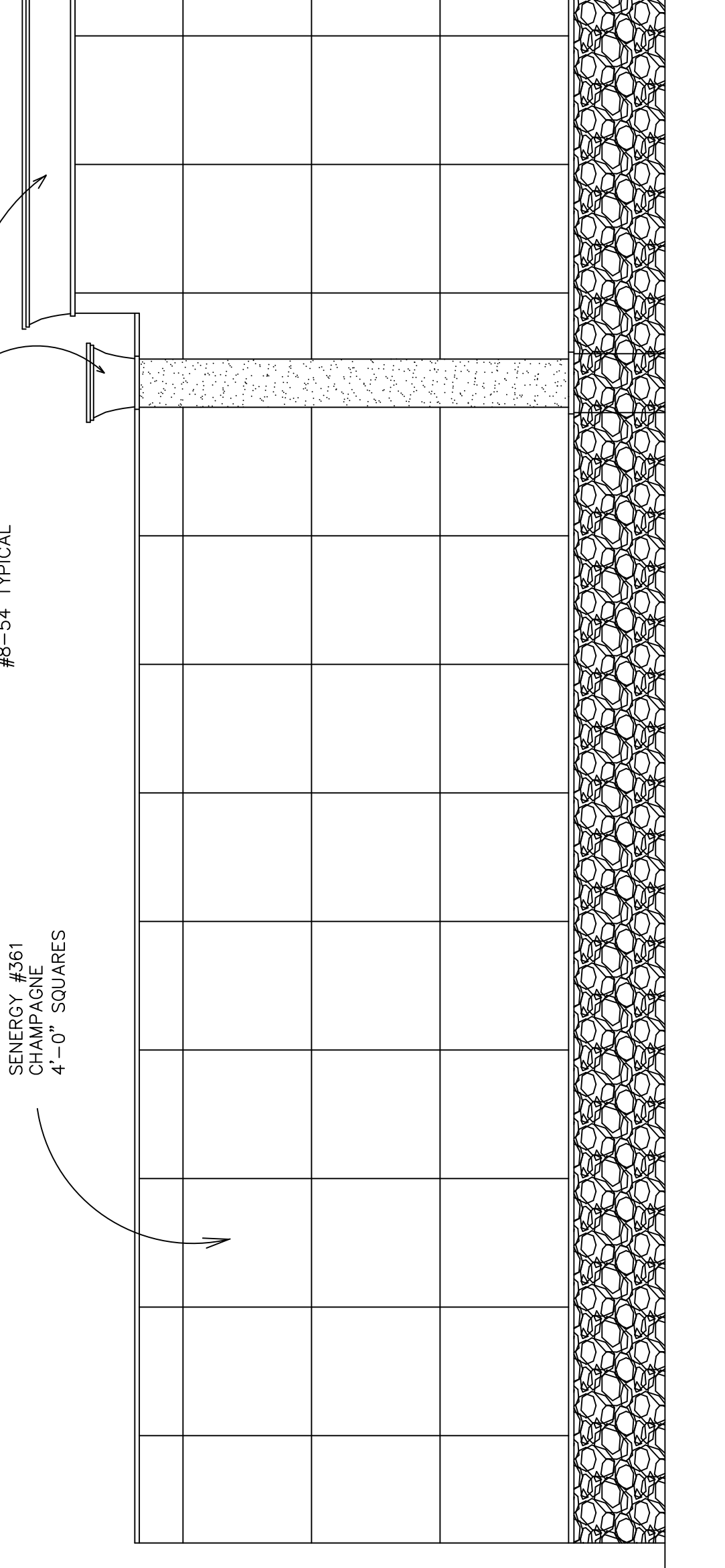
EAST ELEVATION

SCALE: 1/4" = 1'-0"



NORTH ELEVATION

SCALE: 1/4" = 1'-0"



WEST ELEVATION

SCALE: 1/4" = 1'-0"

WINDOW SCHEDULE [W-1]

WINDOW NUMBER	LOCATION	QUANT.	SIZE	FRAME	GLASS	REMARKS
W-1	SOUTH & EAST ELEV.	4	44" x 8'-8"	ANODIZED ALUM.	INSUL. LOW *E* UPPER & LOWER VINS	
W-2	SOUTH ELEV.	1	16'-0" x 8'-8"	ALUM.	INSUL. LOW *E* (3) VINS. UPPER & LOWER LITES	
W-3	EAST ELEV.	1	12'-0" x 8'-8"	ALUM.	ANODIZED INSUL. LOW *E* (3) VINS. UPPER & LOWER LITES	

NOTES: FF= FACTORY FINISH, ALUM= ALUM. STOREFRONT SYSTEM

DOOR SCHEDULE [101]

DOOR NUMBER	LOCATION	SIZE	TYPE	FRAME	HW.	REMARKS
101	ENTRY	3'-0" x 2'-0"	ALUM.	FF ALUM.	1,2,4,5,6	PANIC HARDWARE (EXIST)
102	EXIT	3'-0" x 6'-8"	ALUM.	FF ALUM.	1,2,3,2,5,8	PANIC HARDWARE (EXIST)

NOTES: FF= FACTORY FINISH, PAINT=PAINT FINISH, ALUM. ALUM. STOREFRONT DOOR
HARDWARE: 1. CLOSER, 2. DOOR SWEEP & WEATHER STRIPPING, 3. DOOR STOPS, 4. CYLINDRICAL LOCK, 5. PANIC HARDWARE, 6. PUSH PLATE & PULL HANDLE, 7. PRIVACY SET, 8. LEVER HANDLE, 9. PASSAGE SET, 10. KICK PLATES

3-23-09	BUILD OUT PLAN	DATE	BY	BULLETTIN
HAPPY'S PIZZA #3-GRANT PROGRAM		ISSUE FOR	REVISIONS	
7412 DETROIT AVENUE		CLEVELAND, OH		
Architects Planners Engineers				
ARCHITECTS INTERNATIONAL, INC.				
17400 Wilshire 48921 Phone: 313-341-7930 Fax: 313-341-6944				
DESIGNED	TLB	CHECKED	TLB	PROJECT NO.
DRAWN	TLB	DATE	3-9-09	0915
APPROVED				SHEET NO.
SHEET TITLE				A-1a

ELECTRIC FIXTURE SCHEDULE:

TYPE	MANUFACTURER	COMMENTS
A	LITHONIA LAY-IN FLUORESCENT CEILING, 160W FIXTURE #ZSP8-G-332-A1Z123-120-6EB	RECESSED
B	LITHONIA 4" DIA. DOWN LIGHT, 13 W #AFV-130TT-4-AR-CGL-120-6EB	RECESSED
C	LITHONIA EMERGENCY LIGHTING FIXTURE WITH BATTERY BACKUP, MODEL #ELR2-H	CLG. RECESSED
D	LITHONIA LIGHTED EXIT FIXTURE, MODEL #E-5-W-1-R-120-ELN-ELA-LEHO-120/277N-W	SINGLE FACE WITH CAPACITY FOR PENDANT MTD.
E	N.S.F. WALK IN COOLER & FREEZER LIGHTS PROVIDED BY MANUFACTURER, 100W VAPOR PROOF KASON #1801G0000ASSEM.	SHIELDED, PROTECTED LENS COVER
F	N.S.F. HOOD LIGHTS PROVIDED BY HOOD MANUFACTURER, VAPOR PROOF, 60W KASON #1801G0000ASSEM.	SHIELDED, PROTECTED LENS COVER
G	LITHONIA 6" DIA. DOWN LIGHT, 32W #A-6-AR-CGL	RECESSED
H	EXTERIOR FLOOD LIGHT	SURFACE MOUNTED EXTERIOR FIXTURE

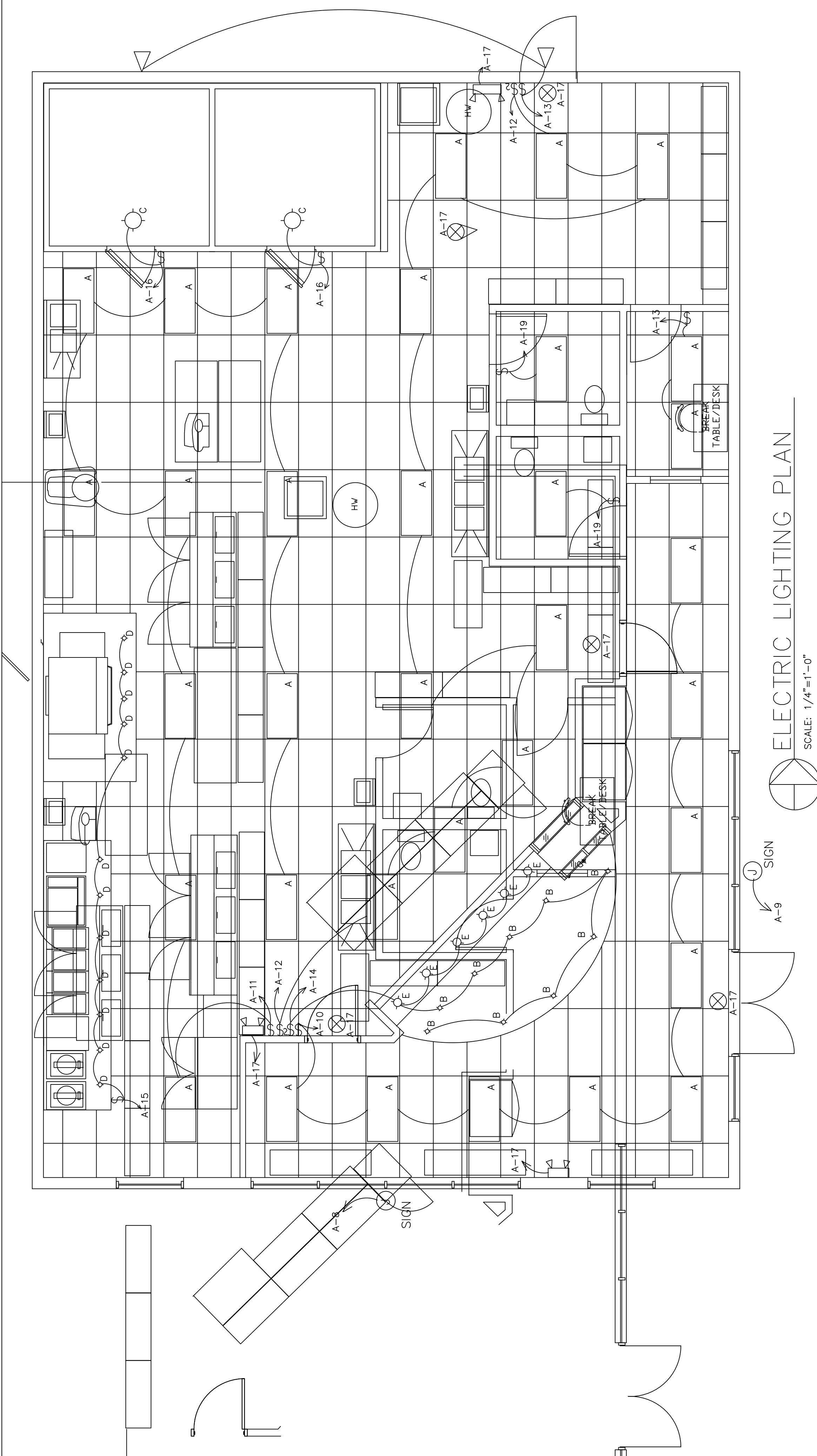
PANEL	LOAD SUMMARY		
	WATTS	CONNECTED AMPS	DEMAND AMPS
A	31,786 W	113.84 A	129.86 A
B	49,989 W	157.50 A	157.50 A
TOTAL	81,775 W	271.34 A	287.36 A

DATE	ISSUE FOR	DATE	BY	REVISIONS
3-23-09	BUILD OUT PLANS			

HAPPY'S PIZZA #3-BUILD OUT PLANS
7412 DETROIT AVENUE
CLEVELAND, OHIO

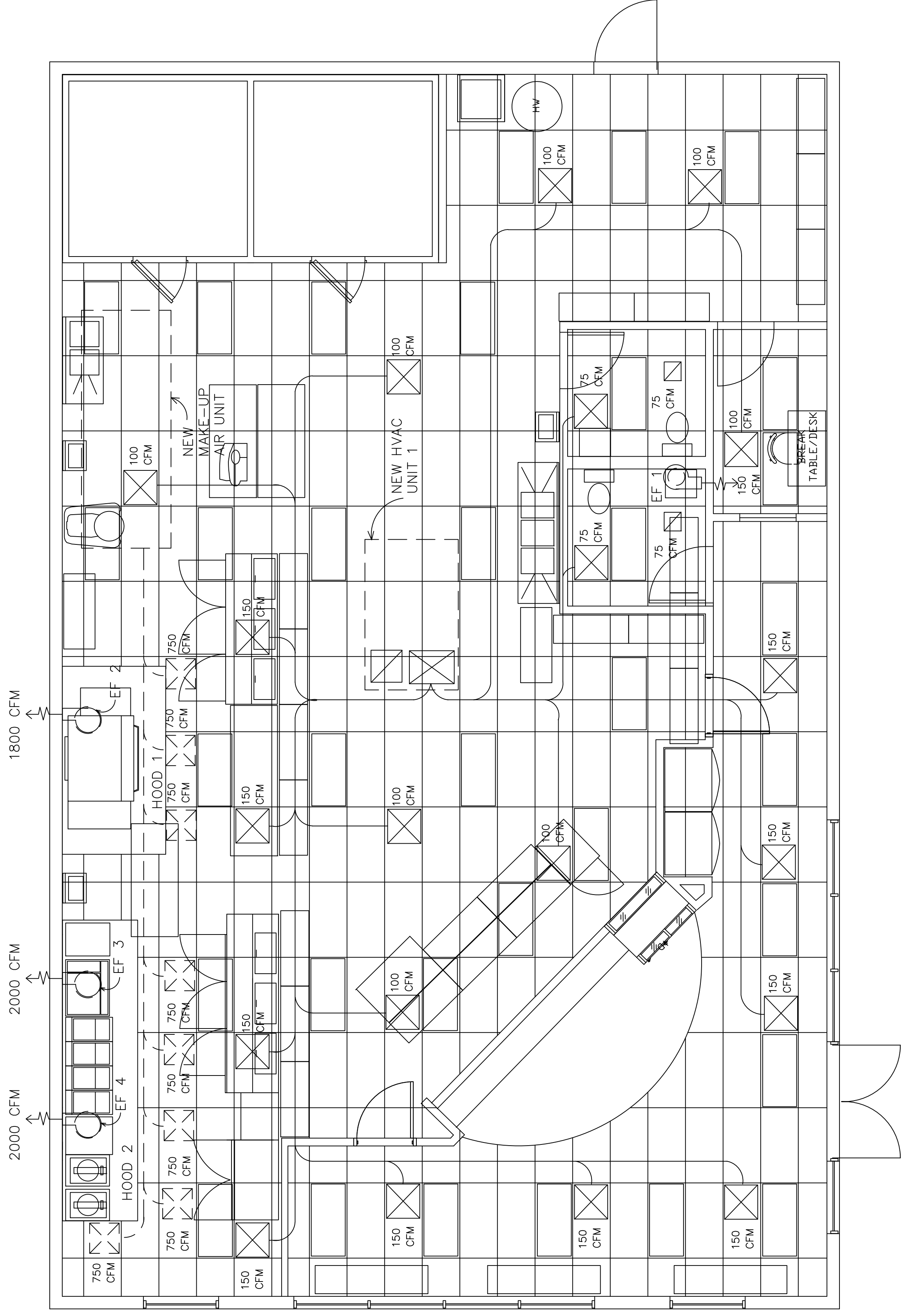
Architects **Planners Engineers**
INTERNATIONAL INC.
17400 Wilshire 48221
Phone: 313-341-7930
Fax: 313-341-6944

DESIGNED	TLB	CHECKED	TLB	PROJECT NO.	0915
DRAWN	TLB	APPROVED	TLB	DATE	3-9-09
SHEET TITLE				ELEC. LIGHTING PLAN	E-2

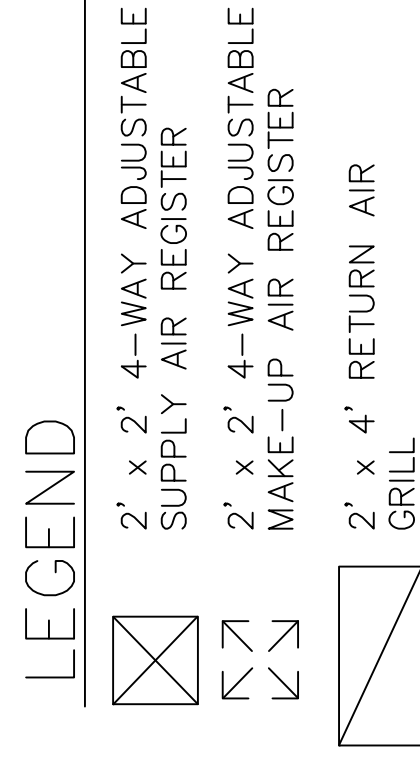


ELECTRIC LIGHTING PLAN
SCALE: 1/4"=1'-0"

PANEL A			
DESC.	PILE	BUS	LOAD / WATTS
			USE
REMARKS		20A	500W
VIEW SIGNS	3	20A	500W
LOBBY SIGNS	3	20A	500W
FILTSYS FR	5	20A	1200W
MAX SIGN	9	20A	1200W
SKILLITES	11	20A	640W
NEON LITES	13	20A	720W
EMERGENCY LITES	17	20A	500W
TOILET LITES	19	20A	320W
DISPLAY REF	21	20A	632W
MENUBOARD	27	20A	1200W
NEON LITES	29	20A	500W
TOILET LITES	31	20A	720W
COUNTERS/OUTLETS	33	20A	1760W
FRITTES	35	20A	1600W
CRK KITTLES	37	20A	720W
COOLERS	39	20A	200W
COOLERS	41	20A	400W
COOLERS	43	20A	2800W
HVAC/ACND1	45	20A	2880W
DISPLAY REF	47	20A	632W
DISPLAY REF	49	20A	632W
NEON LITES	51	20A	500W
TOILET LITES	53	20A	720W
COUNTERS/OUTLETS	55	20A	1760W
FRITTES	57	20A	1600W
CRK KITTLES	59	20A	720W
COOLERS	61	20A	200W
COOLERS	63	20A	400W
COOLERS	65	20A	2800W
HVAC/ACND1	67	20A	2880W
DISPLAY REF	69	20A	632W
DISPLAY REF	71	20A	632W
NEON LITES	73	20A	500W
TOILET LITES	75	20A	720W
COUNTERS/OUTLETS	77	20A	1760W
FRITTES	79	20A	1600W
CRK KITTLES	81	20A	720W
COOLERS	83	20A	200W
COOLERS	85	20A	400W
COOLERS	87	20A	2800W
HVAC/ACND1	89	20A	2880W
DISPLAY REF	91	20A	632W
DISPLAY REF	93	20A	632W
NEON LITES	95	20A	500W
TOILET LITES	97	20A	720W
COUNTERS/OUTLETS	99	20A	1760W
FRITTES	101	20A	1600W
CRK KITTLES	103	20A	720W
COOLERS	105	20A	200W
COOLERS	107	20A	400W
COOLERS	109	20A	2800W
HVAC/ACND1	111	20A	2880W
DISPLAY REF	113	20A	632W
DISPLAY REF	115	20A	632W
NEON LITES	117	20A	500W
TOILET LITES	119	20A	720W
COUNTERS/OUTLETS	121	20A	1760W
FRITTES	123	20A	1600W
CRK KITTLES	125	20A	720W
COOLERS	127	20A	200W
COOLERS	129	20A	400W
COOLERS	131	20A	2800W
HVAC/ACND1	133	20A	2880W
DISPLAY REF	135	20A	632W
DISPLAY REF	137	20A	632W
NEON LITES	139	20A	500W
TOILET LITES	141	20A	720W
COUNTERS/OUTLETS	143	20A	1760W
FRITTES	145	20A	1600W
CRK KITTLES	147	20A	720W
COOLERS	149	20A	200W
COOLERS	151	20A	400W
COOLERS	153	20A	2800W
HVAC/ACND1	155	20A	2880W
DISPLAY REF	157	20A	632W
DISPLAY REF	159	20A	632W
NEON LITES	161	20A	500W
TOILET LITES	163	20A	720W
COUNTERS/OUTLETS	165	20A	1760W
FRITTES	167	20A	1600W
CRK KITTLES	169	20A	720W
COOLERS	171	20A	200W
COOLERS	173	20A	400W
COOLERS	175	20A	2800W
HVAC/ACND1	177	20A	2880W
DISPLAY REF	179	20A	632W
DISPLAY REF	181	20A	632W
NEON LITES	183	20A	500W
TOILET LITES	185	20A	720W
COUNTERS/OUTLETS	187	20A	1760W
FRITTES	189	20A	1600W
CRK KITTLES	191	20A	720W
COOLERS	193	20A	200W
COOLERS	195	20A	400W
COOLERS	197	20A	2800W
HVAC/ACND1	199	20A	2880W
DISPLAY REF	201	20A	632W
DISPLAY REF	203	20A	632W
NEON LITES	205	20A	500W
TOILET LITES	207	20A	720W
COUNTERS/OUTLETS	209	20A	1760W
FRITTES	211	20A	1600W
CRK KITTLES	213	20A	720W
COOLERS	215	20A	200W
COOLERS	217	20A	400W
COOLERS	219	20A	2800W
HVAC/ACND1	221	20A	2880W
DISPLAY REF	223	20A	632W
DISPLAY REF	225	20A	632W
NEON LITES	227	20A	500W
TOILET LITES	229	20A	720W
COUNTERS/OUTLETS	231	20A	1760W
FRITTES	233	20A	1600W
CRK KITTLES	235	20A	720W
COOLERS	237	20A	200W
COOLERS	239	20A	400W
COOLERS	241	20A	2800W
HVAC/ACND1	243	20A	2880W
DISPLAY REF	245	20A	632W
DISPLAY REF	247	20A	632W
NEON LITES	249	20A	500W
TOILET LITES	251	20A	720W
COUNTERS/OUTLETS	253	20A	1760W
FRITTES	255	20A	1600W
CRK KITTLES	257	20A	720W
COOLERS	259	20A	200W
COOLERS	261	20A	400W
COOLERS	263	20A	2800W
HVAC/ACND1	265	20A	2880W
DISPLAY REF	267	20A	632W
DISPLAY REF	269	20A	632W
NEON LITES	271	20A	500W
TOILET LITES	273	20A	720W
COUNTERS/OUTLETS	275	20A	1760W
FRITTES	277	20A	1600W
CRK KITTLES	279	20A	720W
COOLERS	281	20A	200W
COOLERS	283	20A	400W
COOLERS	285	20A	2800W
HVAC/ACND1	287	20A	2880W
DISPLAY REF	289	20A	632W
DISPLAY REF	291	20A	632W
NEON LITES	293	20A	500W
TOILET LITES	295	20A	720W
COUNTERS/OUTLETS	297	20A	1760W
FRITTES	299	20A	1600W
CRK KITTLES	301	20A	720W
COOLERS	303	20A	200W
COOLERS	305	20A	400W
COOLERS	307	20A	2800W
HVAC/ACND1	309	20A	2880W
DISPLAY REF	311	20A	632W
DISPLAY REF	313	20A	632W
NEON LITES	315	20A	500W
TOILET LITES	317	20A	720W
COUNTERS/OUTLETS	319	20A	1760W
FRITTES	321	20A	1600W
CRK KITTLES	323	20A	720W
COOLERS	325	20A	200W
COOLERS	327	20A	400W
COOLERS	329	20A	2800W
HVAC/ACND1	331	20A	2880W
DISPLAY REF	333	20A	632W
DISPLAY REF	335	20A	632W
NEON LITES	337	20A	500W
TOILET LITES	339	20A	720W
COUNTERS/OUTLETS	341	20A	1760W
FRITTES	343	20A	1600W
CRK KITTLES	345	20A	720W
COOLERS	347	20A	200W
COOLERS	349	20A	400W
COOLERS	351	20A	2800W
HVAC/ACND1	353	20A	2880W
DISPLAY REF	355	20A	632W
DISPLAY REF	357	20A	632W
NEON LITES	359	20A	500W
TOILET LITES	361	20A	720W
COUNTERS/OUTLETS	363	20A	1760W
FRITTES	365	20A	1600W
CRK KITTLES	367	20A	720W
COOLERS	369	20A	200W
COOLERS	371	20A	400W
COOLERS	373	20A	2800W
HVAC/ACND1	375	20A	2880W
DISPLAY REF	377	20A	632W
DISPLAY REF	379	20A	632W
NEON LITES	381	20A	500W
TOILET LITES	383	20A	720W
COUNTERS/OUTLETS	385	20A	1760W
FRITTES	387	20A	1600W
CRK KITTLES	389	20A	720W
COOLERS	391	20A	200W
COOLERS	393	20A	400W
COOLERS	395	20A	2800W
HVAC/ACND1	397	20A	2880W
DISPLAY REF	399	20A	632W
DISPLAY REF	401	20A	632W
NEON LITES	403	20A	500W
TOILET LITES	405	20A	720W
COUNTERS/OUTLETS	407	20A	1760W
FRITTES	409	20A	1600W
CRK KITTLES	411	20A	720W
COOLERS	413	20A	200W
COOLERS	415	20A	400W
COOLERS	417	20A	2800W
HVAC/ACND1	419	20A	2880W
DISPLAY REF	421	20A	632W
DISPLAY REF	423	20A	632W
NEON LITES	425	20A	500W
TOILET LITES	427	20A	720W
COUNTERS/OUTLETS	429	20A	1760W
FRITTES	431	20A	1600W
CRK KITTLES	433	20A	720W
COOLERS	435	20A	200W
COOLERS	437	20A	400W
COOLERS	439	20A	2800W
HVAC/ACND1	441	20A	2880W
DISPLAY REF	443	20A	632W
DISPLAY REF	445	20A	632W
NEON LITES	447	20A	500W
TOILET LITES	449	20A	720W
COUNTERS/OUTLETS	451	20A	1760W
FRITTES	453	20A	1600W
CRK KITTLES	455	20A	720W
COOLERS	457	20A	200W
COOLERS	459	20A	400W
COOLERS	461	20A	2800W
HVAC/ACND1	463	20A	2880W
DISPLAY REF	465	20A	632W
DISPLAY REF	467	20A	632W
NEON LITES	469	20A	500W
TOILET LITES	471	20A	720W
COUNTERS/OUTLETS	473	20A	1760W
FRITTES	475	20A	1600W
CRK KITTLES	477	20A	720W
COOLERS	479	20A	200W
COOLERS	481	20A	



H.V.A.C. PLAN
SCALE: 1/4"=1'-0"



BALANCE SCHEDULE

UNIT	SUPPLY AIR	RETURN AIR	EXHAUST AIR	BUILDING PRESSURE
HVAC #1	2450 CFM	1950 CFM		+500
EF 1			100 CFM	+400
MAKE-UP	5400 CFM			+5800
EF-2			1800 CFM	+4000
EF-3			2000 CFM	+2000
EF-4			2000 CFM	0

MECHANICAL NOTES:

- Use Existing Rooftop HVAC Units and install new Main Supply and Return Ductwork. Existing HVAC Units are estimated to be 2000 CFM.
- All work to be done by licensed Mechanical Contractor who will be responsible for all permits and inspections related to the mechanical work.
- All supply and return air ducts are to be insulated with fiberglass wrap of thickness to achieve a minimum R-value of 6. Flame spread index shall not exceed 25, and smoke index not greater than 50, w/ vapor retarder max. performing 0.05 PERM.
- Verify service connections and gas line arrangement of existing rooftop HVAC units, in the layout of new gas.
- All work is to comply with Federal, State and Local Codes and Ordinances. Sub Contractors are to be licensed, as required by law. All permits and inspections are to be obtained and carried out by law.
- All Work is to be in accordance with the "American Society of Heating, Refrigeration and Air Conditioning Engineers" (A.S.H.R.A.E.) latest standards. Contractor is to assure that the H.V.A.C. system will be installed to a fully operational condition. All controls are to be functional and the system will be complete.
- Contractor is to balance the H.V.A.C. system in all work areas to assure uniform, acceptable levels of supply and return air.
- Contractor is to size supply & return runs so as to provide design C.F.M.

EQUIPMENT NOTES

H.V.A.C.V. UNITS 1 & 2

Existing Rooftop Units are estimated at 4-5 Ton Cooling w/ 2450 cfm. Verify information with existing equipment mounted at the site in conjunction with these Plans.

EF-1

Greenheck Model, Ceiling Mounted, Model SP-B110, 13-7/8" x 11.5" curb cut, 95 CFM, 1/6 HP, .375 Static Pressure, 115 V, 1 Phase, 1.14 A.

EF-2

Hood #1, Loren Cook, Roof Mounted, Model No. 135V5B, 15.5" x 15.5" curb cut, 1800 CFM, 1/2 HP, 3/4 Static Pressure, 115 V, 1 Phase, 9 A.

EF-3 & EF-4

Hood #2, Loren Cook, Roof Mounted, Model No. 135V5B, 15.5" x 15.5" curb cut, 2000 CFM, 1/2 HP, 3/4 Static Pressure, 115 V, 1 Phase, 9 A.

MUA 1 - MAKE-UP AIR

Absolut-Air, Roof Mounted, Model V3, w/ curb cut, 5000 CFM, 625,000 BTU, 3 HP, 208V, 3 Phase, 1" Gas inlet.

Automatic Interlocking

The exhaust and makeup air systems shall be electrically interlocked to insure that makeup air is provided whenever exhaust system is in operation.

The interlocking components/system shall be UL or ETL listed.

The automatic activation of exhaust fan/makeup air is performed by means of heat sensors, when cooking appliances are in operation. The sensors are placed in hood duct collar and supplied as part of the MUA/Hood system, by a listed and approved manufacturer: Captive Air or Vent Master. Any one appliance shall automatically activate makeup air and exhaust fan system.

FIRE PROTECTION NOTES

- Provide a UL-300 approved Kitchen Fire Suppression System to protect all cooking appliances beneath both hoods. A permit shall be obtained through the Building Department, with all work accomplished by a licensed Fire Suppression Technician.
- Provide shop drawings for the kitchen hood fire suppression system. NFPA 17A, UL 300, and IFC 904.11.5.
- Provide and mount fire extinguishers per NFPA-10. A Class K Extinguisher will be required near the cooking area.
- Penetrations through fire rated walls and roof shall be sealed with a material capable of preventing the passage of flames and hot gasses when subjected to the requirements of the Test Standards specific for Fire Stops UL 1479 (ASTM E 814).

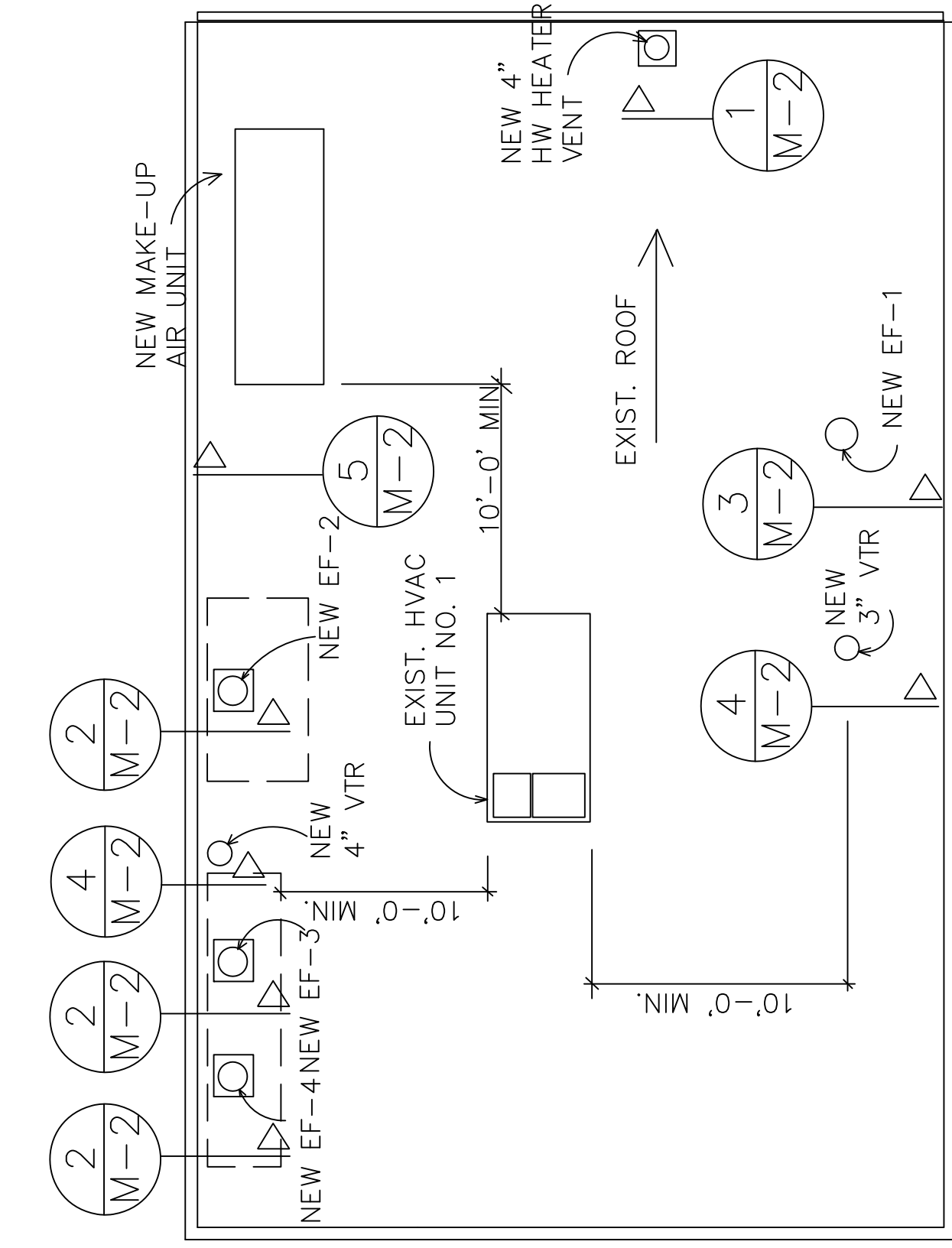
ADDITIONAL MECHANICAL NOTES:

- Mechanical Code currently in effect is Michigan Mechanical Code 2006.
- A State Process Performance Test is required on hood systems when complete.
- For kitchen equipment layout and List Of Equipment Schedule, see Sheet A-2.
- Provide duct smoke detectors with audible and visual keyed reset.
- Provide programmable thermostat with programmable fan for operating hours.
- Refrigeration Permit required for Walk-in Cooler.

DATE	ISSUE FOR	DATE	BY
3-23-09	BUILD OUT PLAN		
REVISIONS			
HAPPY'S PIZZA #3-BUILD OUT PLANS			
7412 DETROIT AVENUE			
CLEVELAND, OHIO			

Architects **Planners Engineers**
INTERNATIONAL INC.
17400 Williams
Phone: 313-341-4821
313-341-7930
Fax: 313-341-6944

DESIGNED	TLB	CHECKED	TLB	PROJECT NO.	0915
DRAWN	TLB	DATE	3-19-09	APPROVED	TLB
SHEET TITLE				H.V.A.C. PLAN	SHEET NO.
				M-1	



ROOF PLAN
SCALE: 1/8"=1'-0"

SYSTEM GENERAL NOTES

- PERFORMANCE TEST REQUIRED PER MMC 507.16
- ALL MAKE-UP AIR BRANCH LINES TO HAVE BALANCE DAMPERS.
- ALL GAS LINES SHALL BE ROUTED ACROSS ROOF BY PLUMBER ON 2' x 2' x 1" REDWOOD BOARDS @ 8'-0" O.C. FLOOD COAT WITHOUT AGGREGATES UNDERNEATH. USE S.S. CLAMPS ON PIPING ON 4" x 4" OR 6" x 6" x 10" REDWOOD BLOCKS. ALLOW FOR EXPANSION & CONTRACTION.
- CUTTING AND PATCHING OF ROOF DECK FOR ALL OPENINGS SHALL BE PERFORMED BY LICENSED ROOFER ACCEPTED BY LANDLORD. ALL WORK IS TO BE PERFORMED IN ACCORDANCE WITH LANDLORD'S INSURANCE CO. REQUIREMENTS.
- ALL STEEL SUPPORT ANGLES FOR ROOF CURBS ARE TO BE SIZED FOR THE LOADING OF THE EQUIPMENT AND ARE TO BE INSTALLED BY GENERAL CONTRACTOR.
- ELECTRICAL CONTRACTOR SHALL PERFORM ALL WIRING TO REMOTE CONTROL PANEL FOR MAKE-UP AIR; AND SHALL INTERLOCK HOOD FANS AND MAKE-UP AIR UNIT.

EXHAUST SYSTEM SCHEDULE

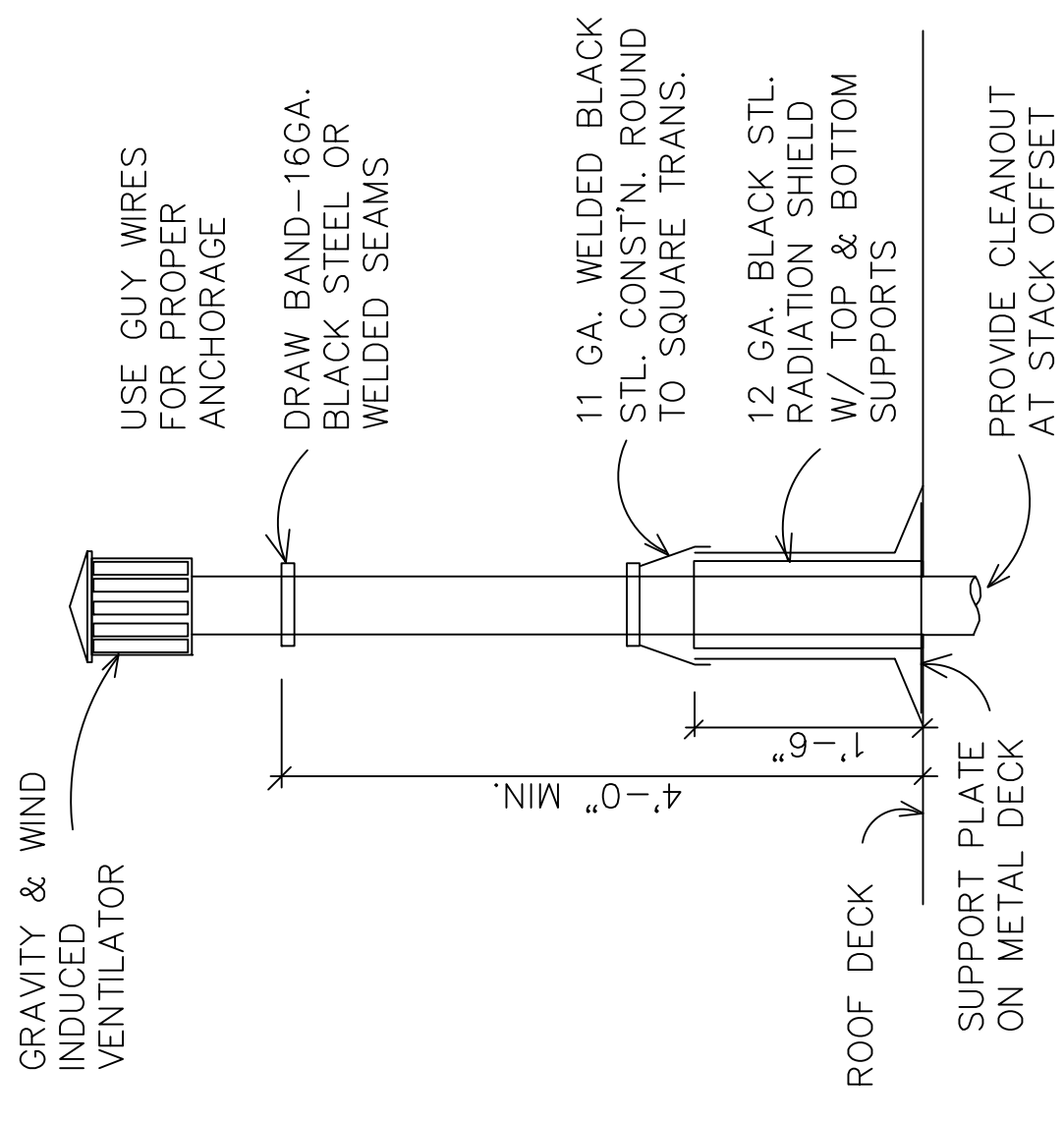
NO.	LOCATION	CURB CUT U.L.	MANUFACTURE	MODEL	TYPE	C.F.M.	I.S.P.	WEIGHT	R.P.M.	MAX CFM	SONE	BPH	HP	VOLT
EF-1	TOILETS	12"x12"	GREENHECK	VCDD-008C	CENTRIFUGAL	150	.375	121 LBS	1,425	150				1/4 115
EF-2	HOOD #1	24"x24"	LOREN COOK	165 VH 6B	UPBLAST	1,600	1.25"	114 LBS	1,445	2,160	13.7	0.59	3/4 115	
EF-3	HOOD #2	24"x24"	LOREN COOK	165 VH 6B	UPBLAST	1,812	1.25"	114 LBS	1,570	2,160	14.9	0.79	3/4 115	
EF-4	HOOD #2	24"x24"	LOREN COOK	165 VH 6B	UPBLAST	1,812	1.25"	114 LBS	1,570	2,160	14.9	0.79	3/4 115	

HOOD SCHEDULE

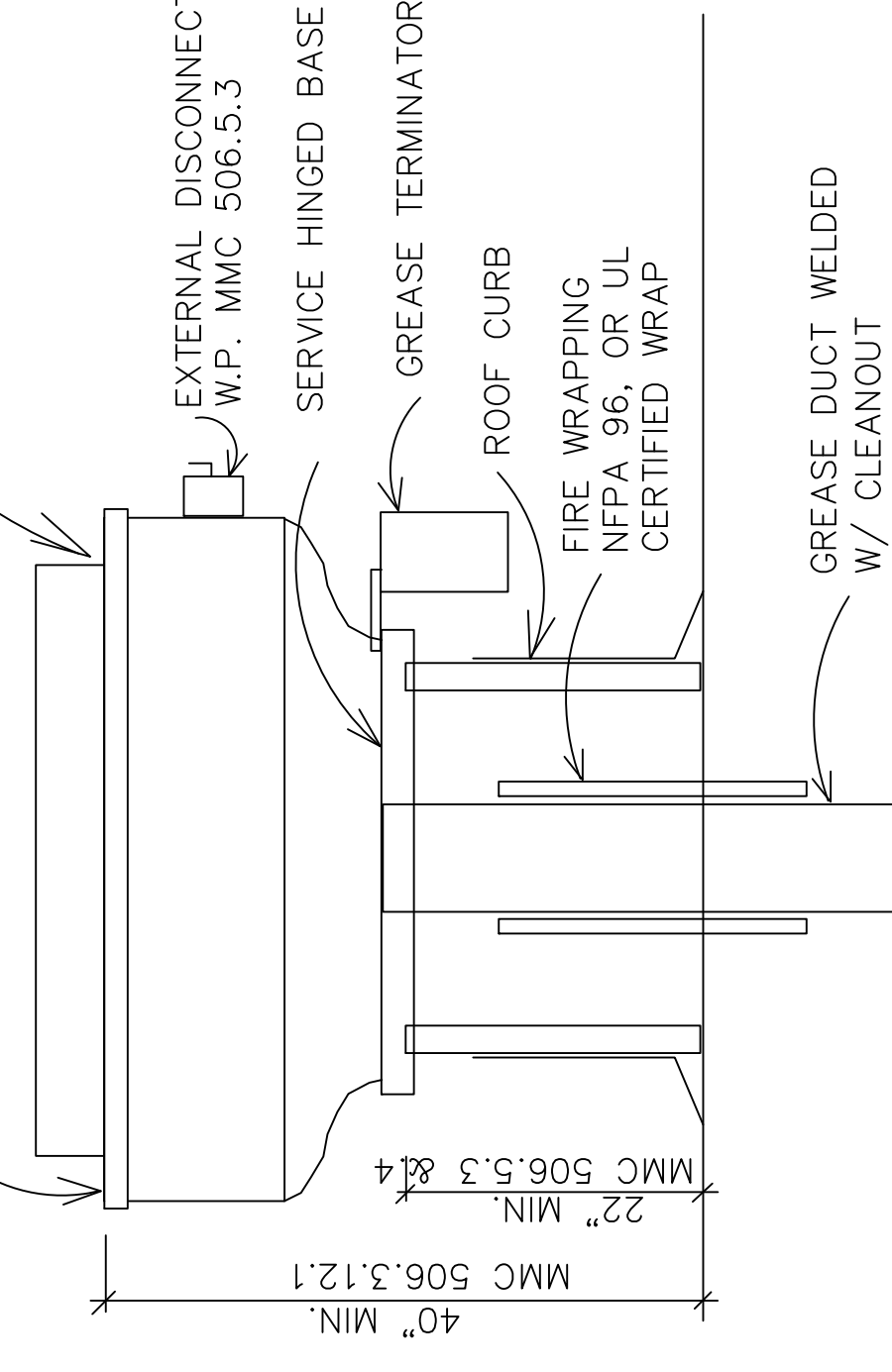
NO.	HOOD SIZE	WEIGHT	CFM	S.P.	NO. DUCTS	FILTER	LIGHTS	CURTAINS	FANS	FILTER SIZE	F.P.M.	TYPE	NOTES
H-1	8'-0"x60"	295 LBS	1,800	1.25"	ONE	S/S	0	2	1	16"x20"	2,100	WALL MT.	NFPA 96, UL BELFIELD, UL-712
H-2	14.5'x51"	323 LBS	4,000	1.25"	TWO	S/S	3	2	2	16"x20"	2,100	WALL MT.	

MAKE-UP AIR SUPPLY SCHEDULE

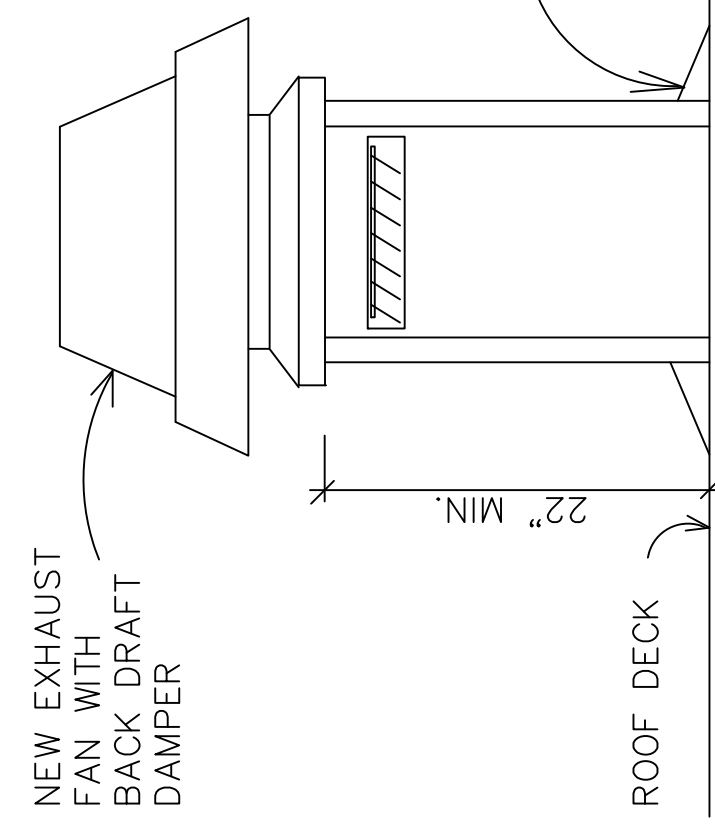
NO.	HOODS SERVED	LOCATION	CURB SIZE	MANUF.	MODEL	REQ. CFM	DUCT SIZE	WEIGHT	BTU's	FAN HP	FAN RPM	VOLTS	PH.
MU-1	H-1 & H-2	ROOF	30"x30"	ABSOLUTAIR	V-3	5,400	32"x30"	735 LBS	395,000	3.0	1,632	208	3



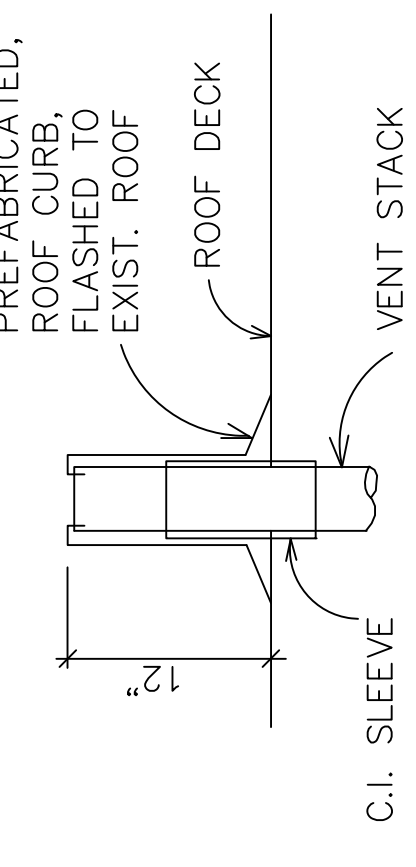
1 SECTION
SCALE: N.T.S.



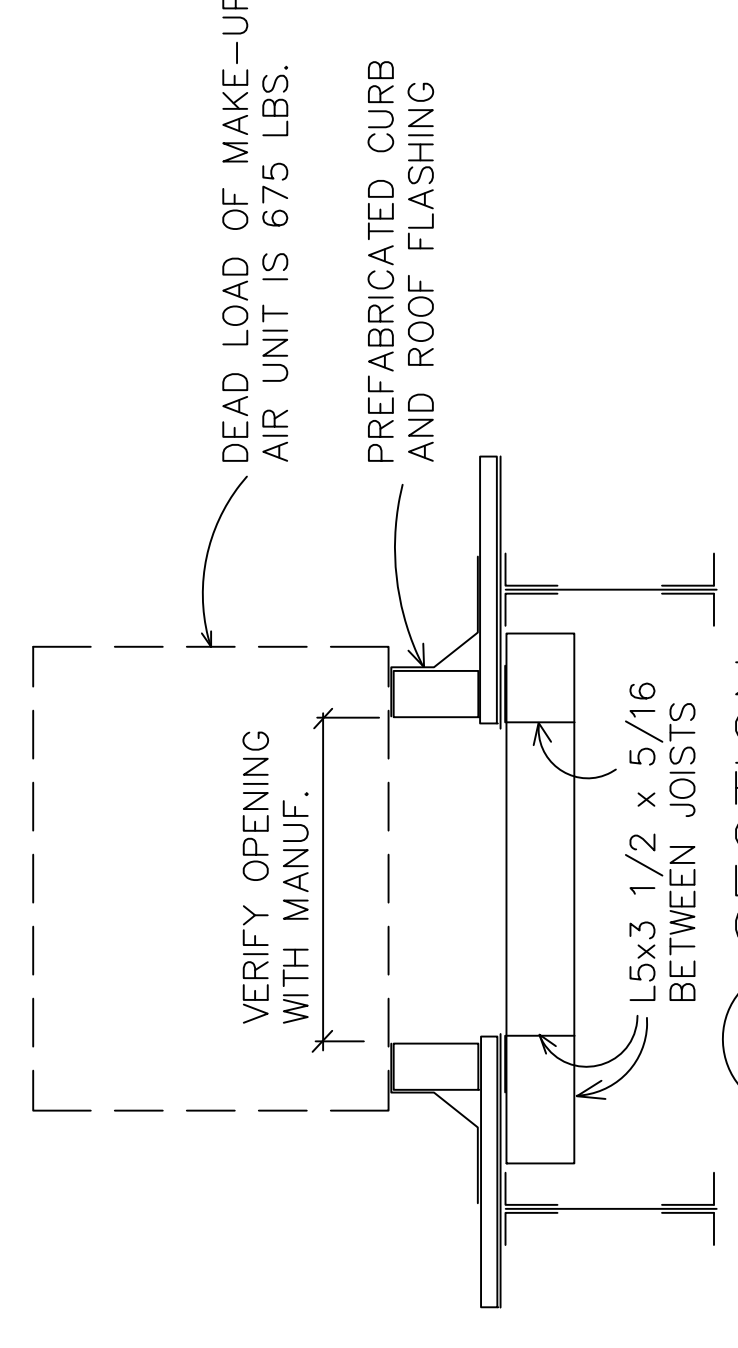
2 SECTION
SCALE: N.T.S.



3 SECTION
SCALE: N.T.S.



4 SECTION
SCALE: N.T.S.



5 SECTION
SCALE: N.T.S.

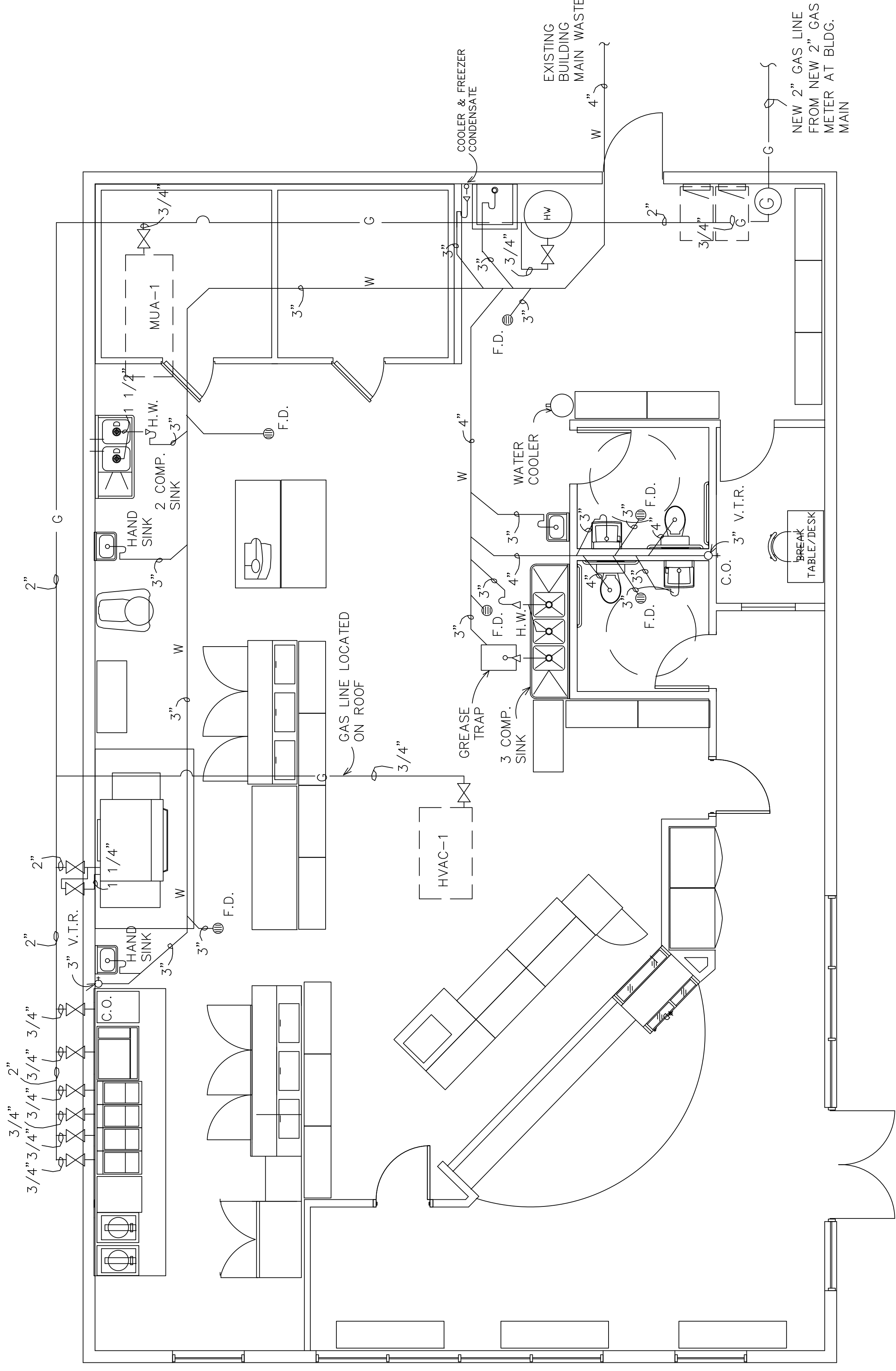
DESIGN FOR INDOOR AIR QUALITY

TYPE: FOOD SERVICE
 RESTAURANT OCCUPANCY: 10
 EMPLOYEES: 4
 RESTAURANT WAITING AREA CFM/PERSON RATE: 20
 CFM = 20 x 10 = 200 CFM WAITING AREA MIN.
 HEAT GAIN FROM OCCUPANTS OF CONDITIONED SPACES IN RESTAURANT:
 240 BTU/HR SENSIBLE HEAT
 310 BTU/HR LATENT HEAT
 (ADJUSTED TOTAL HEAT VALUE FOR SEDENTARY WORK, RESTAURANT, INCLUDES 60 BTU/HR FOR FOOD PER INDIVIDUAL (30 BTU SENSIBLE & 30 BTU LATENT))
 (PROOF VALUES BASED ON 78 DEG. F. FOR DRY-BULB TEMPERATURE)

ROOF TOP EQUIPMENT NOTES

- USE APPROVED SHOP DRAWINGS FOR ROUGH IN OF ELECTRIC WORK FOR FOOD SERVICE VENTILATION EQUIPMENT MOUNTED ON ROOF.
- PROVIDE FUSIBLE DISCONNECT SWITCHES, USE NEMA 3R SWITCHES FOR UNITS MOUNTED ON ROOF.
- MOUNT SERVICE EQUIPMENT ON 3/4" PLYWOOD PANEL. PRIME AND PAINT.
- ELECTRICAL CONTRACTOR SHALL INSTALL WIRING HARNESS BETWEEN HOOD CONTROL PANEL AND EXHAUST FAN.
- PROVIDE WEATHERPROOF 6F1 TYPE RECEPTACLE ON ROOF ADJACENT TO ROOF TOP UNIT. PROVIDE UL APPROVED WEATHERPROOF COVER.
- ALL BRANCHWIRING IS TO BE #12 AWG, OR LARGER.

3-23-09	BUILD OUT PLANS	DATE	BY	BULLETIN
	ISSUE FOR	DATE	BY	REVISIONS
HAPPY'S PIZZA #3-BUILD OUT PLANS 7412 DETROIT AVENUE CLEVELAND, OHIO				
Architects Planners Engineers ARCHITECTS INTERNATIONAL INC. 17400 Wilshire Suite 48221 Phone: 313-341-7930 Fax: 313-341-6944				
DESIGNED	TLB	CHECKED	TLB	PROJECT NO.
DRAWN	TLB			0915
APPROVED	TLB			DATE 3-19-09
SHEET TITLE				
ROOF PLAN & SCHEDS. M-2				



PLUMBING PLAN
SCALE: 1/4"=1'-0"

EQUIPMENT NOTES:

1. Verify all final connections to kitchen equipment with equipment suppliers. Verify rough-in requirements with same.
2. All indirect waste lines shall be trapped.
3. Provide all equipment fittings and accessories as required for a complete installation.
4. Natural gas piping to be schedule 40 black steel pipe with malleable iron screwed fittings.
5. Provide support for rooftop gas piping with Grinnel No. 262 wrought straps on wood blocking. Blocking to be pressure treated and covered with double layer of roofing membrane, approved by Landlord.
6. Provide and install Elmidor Series access door over Powers Thermostatic Tempering valve, Series 480, w/ integral check stops. Set discharge at 105 degrees F.
7. Toilet, hand sink, and all toilet room accessories are to be per Happys Pizza Standards.

LEGEND

- C — DOMESTIC COLD WATER SUPPLY
- H — DOMESTIC HOT WATER SUPPLY
- X — SHUT OFF VALVE
- G — GAS LINE
- W — SANITARY WASTE
- FD (Symbol) FLOOR DRAIN
- HW (Symbol) INDIRECT (HUB WASTE)
- O V.T.R. VENT THROUGH ROOF
- O+ C.O. CLEAN OUT

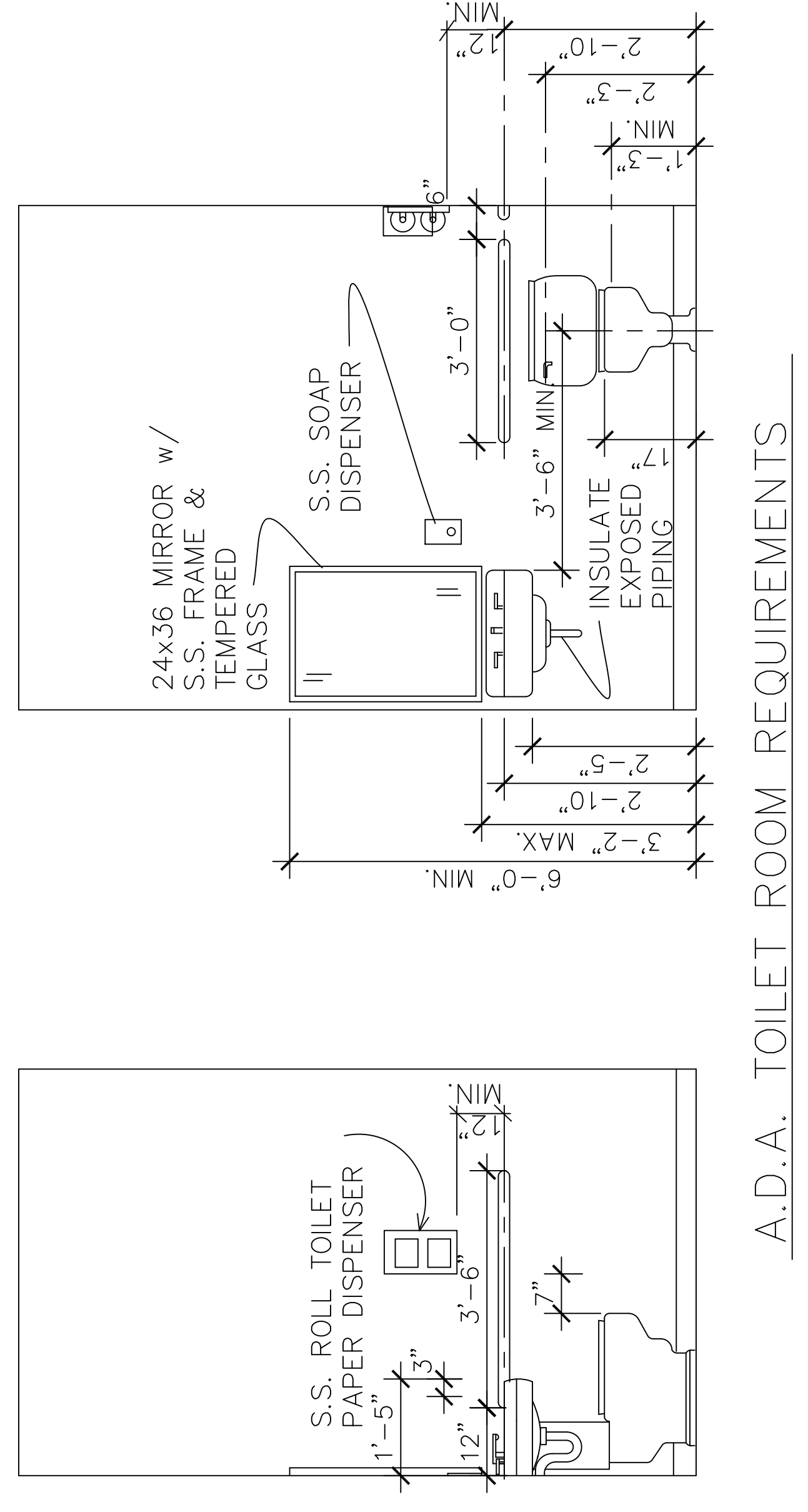
PLUMBING NOTES:

1. All work shall conform to National Plumbing Code and all local Codes and Ordinances, and be done by a Licensed Plumbing Contractor who will be responsible for all Permits and Fees related to the Plumbing Work.
2. Water supply piping to be mounted above slab. Use "Pex Tubing" and fittings in accordance with manufacturer's latest data. Water Stub Ups to be installed according to manufacturer's latest data.
3. Insulation to be installed on all exposed piping.
4. Provide fixtures and facilities for the Handicapped, set hot water heater equal to 120 degrees F. Provide mixing valves at all toilet room sinks.
5. Provide and install ASSE-1016 approved tempering valve on hot water branch line to each restroom lavatory, and to all other handicap accessible fixtures.
6. Use Landlord Approved roofing contractor to flash and seal roof penetrations to maintain roofing warranty.
7. Provide and install grease trap per F.S.E.C. requirements.

DATE	ISSUE FOR	DATE	BY	BULLETIN
3-23-09	BUILD OUT PLANS			
REVISIONS				
HAPPY'S PIZZA #3-BUILD OUT PLANS				
7412 DETROIT AVENUE				
CLEVELAND, OHIO				

Architects **Planners Engineers**
INTERNATIONAL INC.
 17400 Williams
 Phone: 313-341-7930
 Fax: 313-341-6944

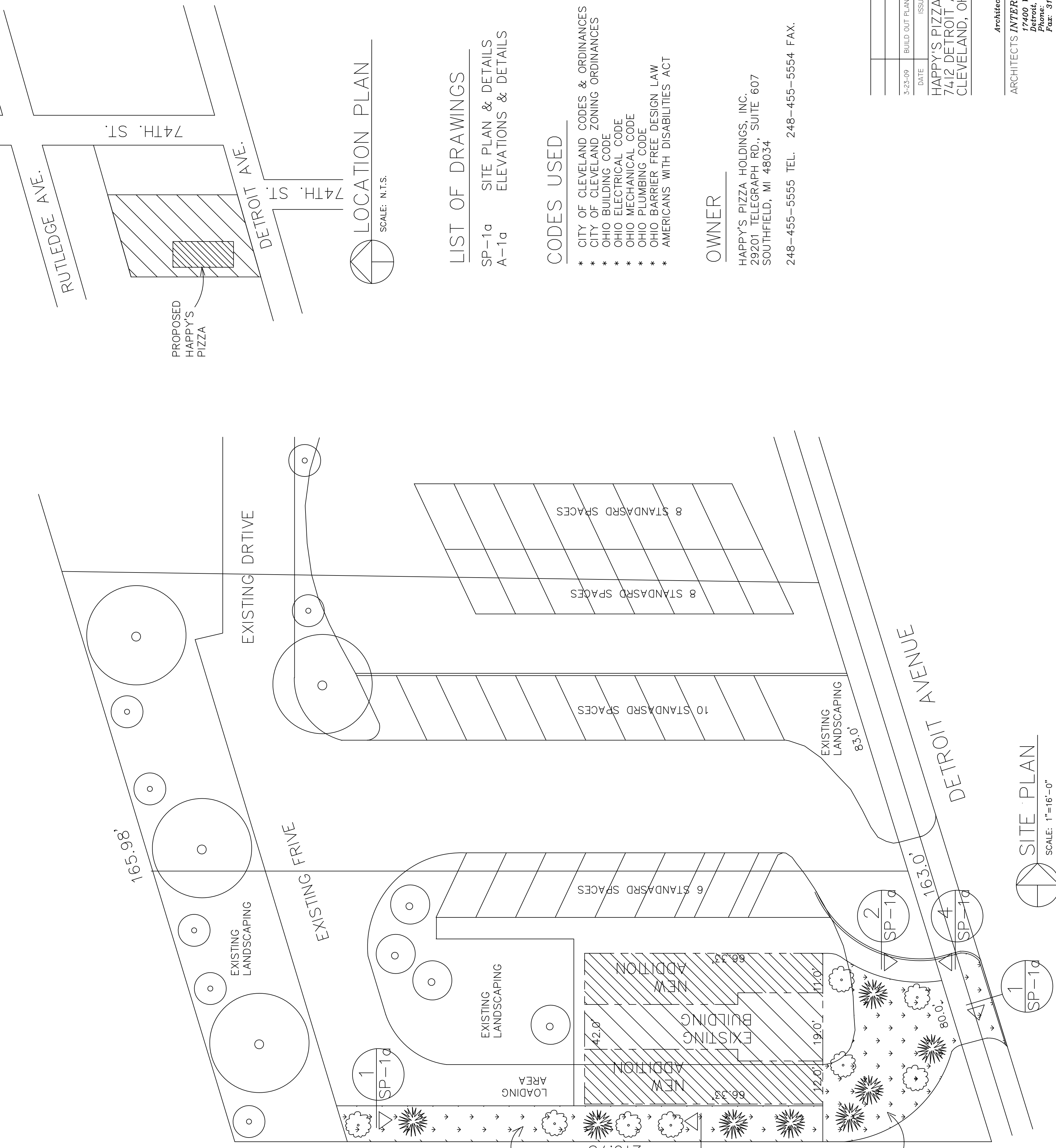
DESIGNED	TLB	CHECKED	TLB	PROJECT NO.
DRAWN	TLB			0915
APPROVED	TLB			
SHEET TITLE				SHEET NO.



A.D.A. TOILET ROOM REQUIREMENTS

HAPPY'S PIZZA #3 - GRANT PROGRAM

7412 DETROIT AVENUE, CLEVELAND, OHIO



LIST OF DRAWINGS
 SP-1a SITE PLAN & DETAILS
 A-1a ELEVATIONS & DETAILS

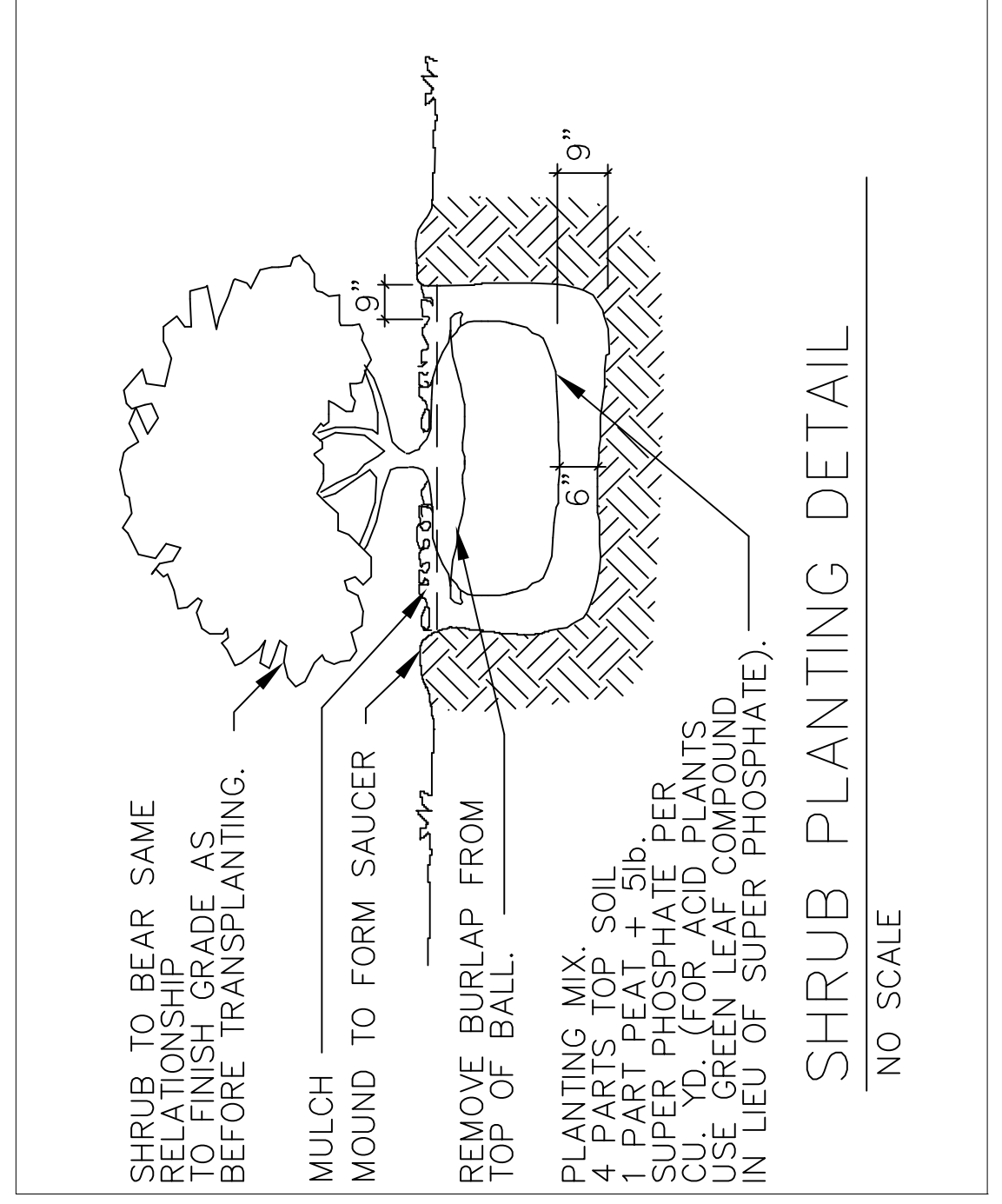
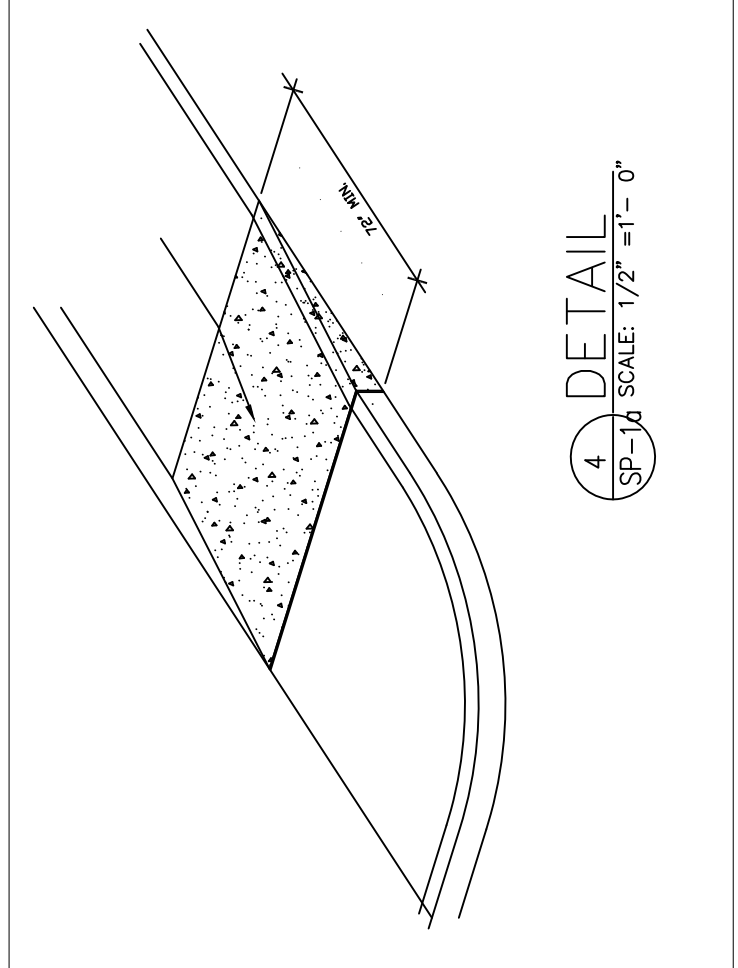
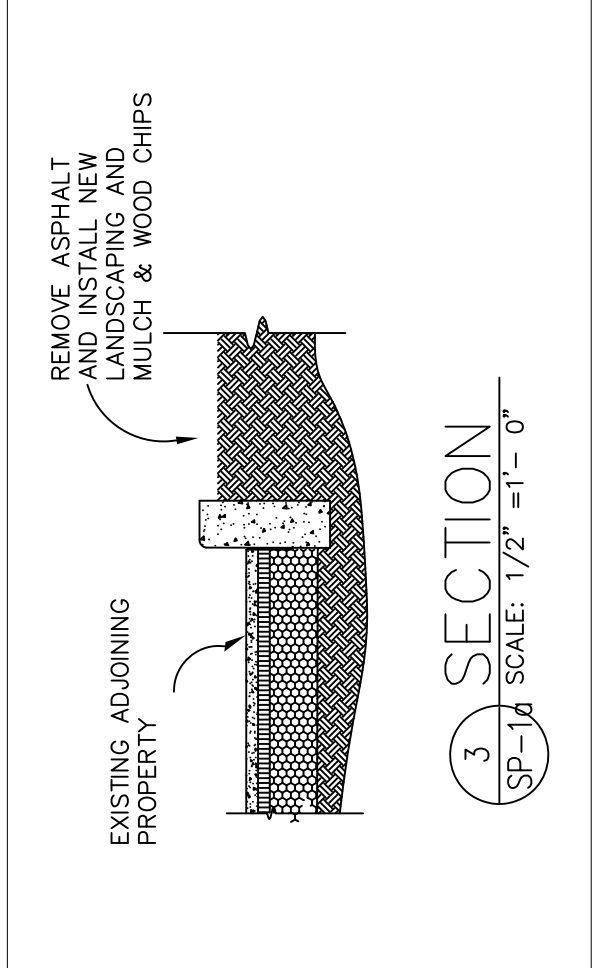
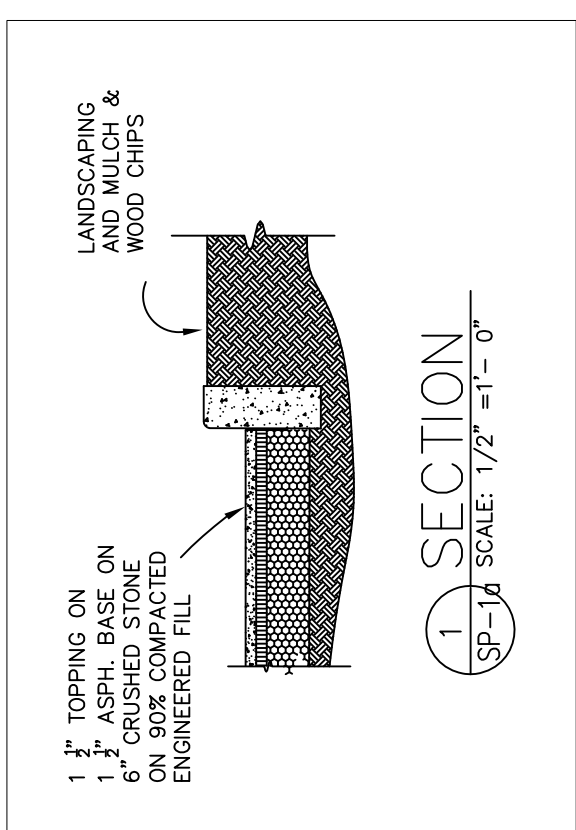
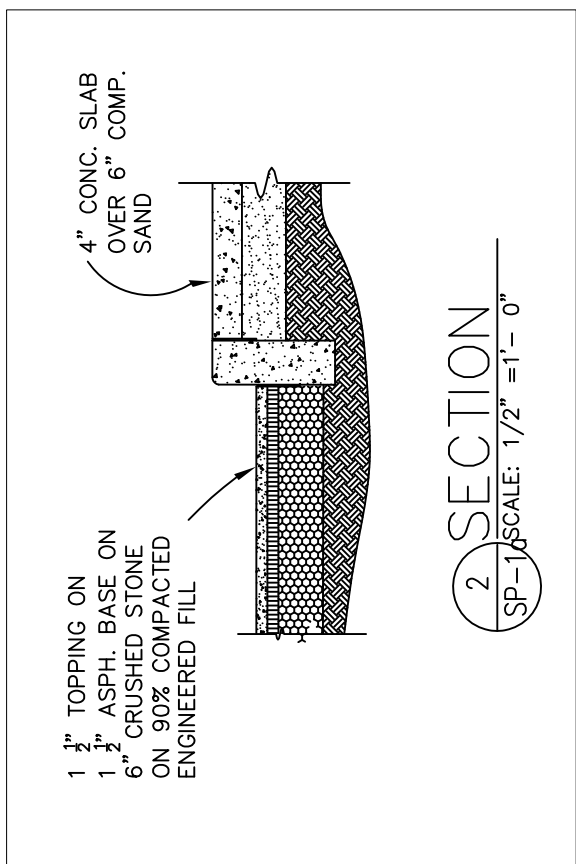
CODES USED

- * CITY OF CLEVELAND CODES & ORDINANCES
- * CITY OF CLEVELAND ZONING ORDINANCES
- * OHIO BUILDING CODE
- * OHIO ELECTRICAL CODE
- * OHIO MECHANICAL CODE
- * OHIO PLUMBING CODE
- * OHIO BARRIER FREE DESIGN LAW
- * AMERICANS WITH DISABILITIES ACT

OWNER
 HAPPY'S PIZZA HOLDINGS, INC.
 29201 TELEGRAPH RD., SUITE 607
 SOUTHFIELD, MI 48034
 248-455-5555 TEL. 248-455-5554 FAX.

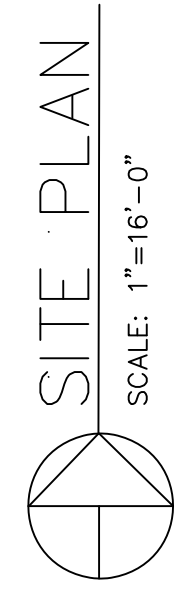
LANDSCAPE SCHEDULE:

MK.	QUANT.	BOTANICAL NAME	COMMON NAME	SIZE	COND.
B	3	VIBURNUM OPULUS 'NANA'	DWARF CRANBERRY	24"	
B & B	3	FORSYTHA ARNOLD DWARF	ARNOLD DWARF FORSYTHIA	24"	B & B



REMOVE ASPHALT AND INSTALL NEW 10.0' WIDE LANDSCAPING

REMOVE ASPHALT DRIVE AND INSTALL NEW CURB, WALK & LANDSCAPING



Architects *Planners Engineers*
ARCHITECTS INTERNATIONAL, INC.
 17400 Millcreek 48921
 Phone: 313-341-7930
 Fax: 313-341-6944

DESIGNED	TLB	CHECKED	TLB	DATE	3-9-09
DRAWN	TLB				
APPROVED	TLB				

PROJECT NO. **0915**
 SHEET NO. **SP-1a**

SITE PLAN & DETAILS
 SP-1a