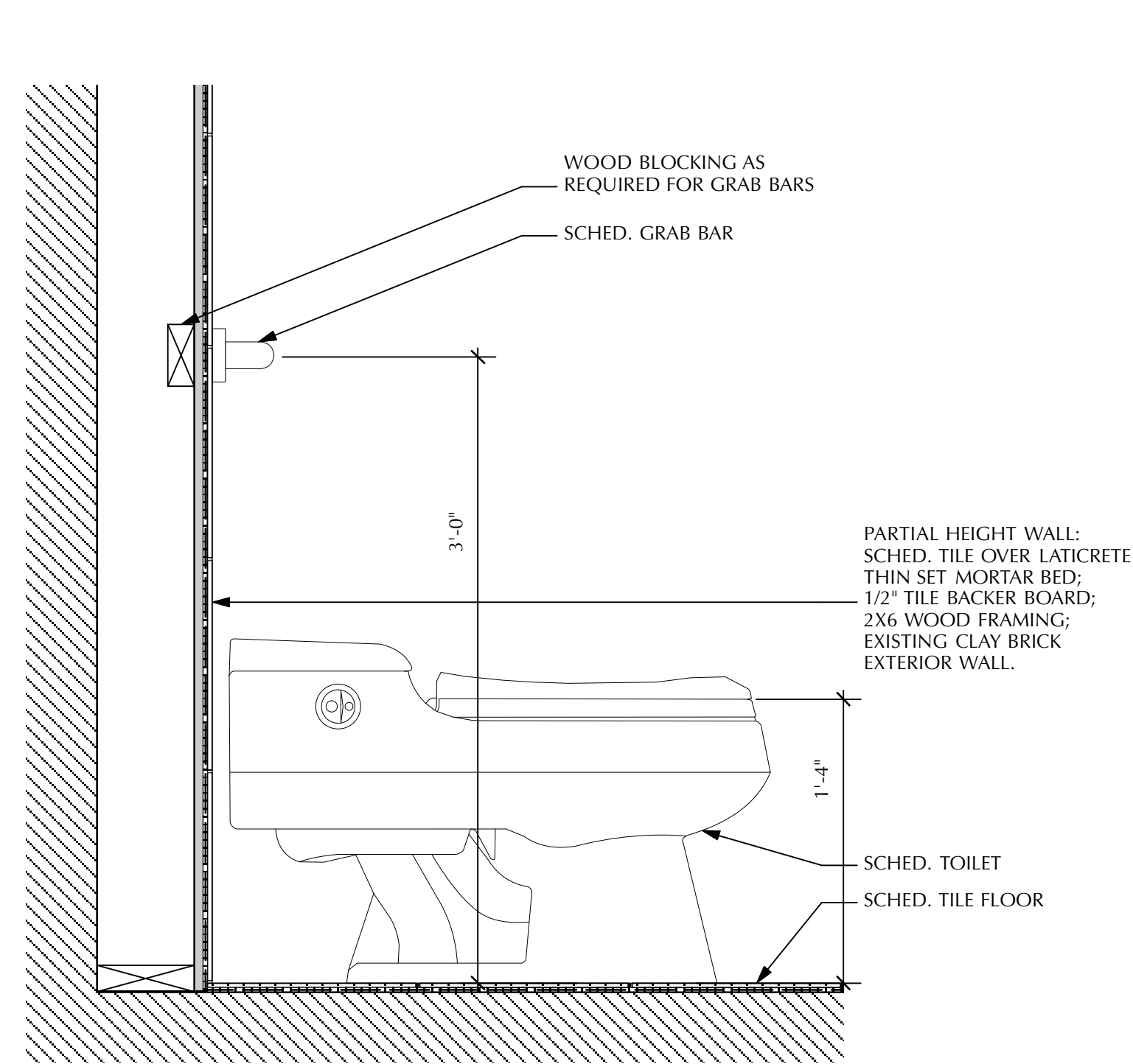
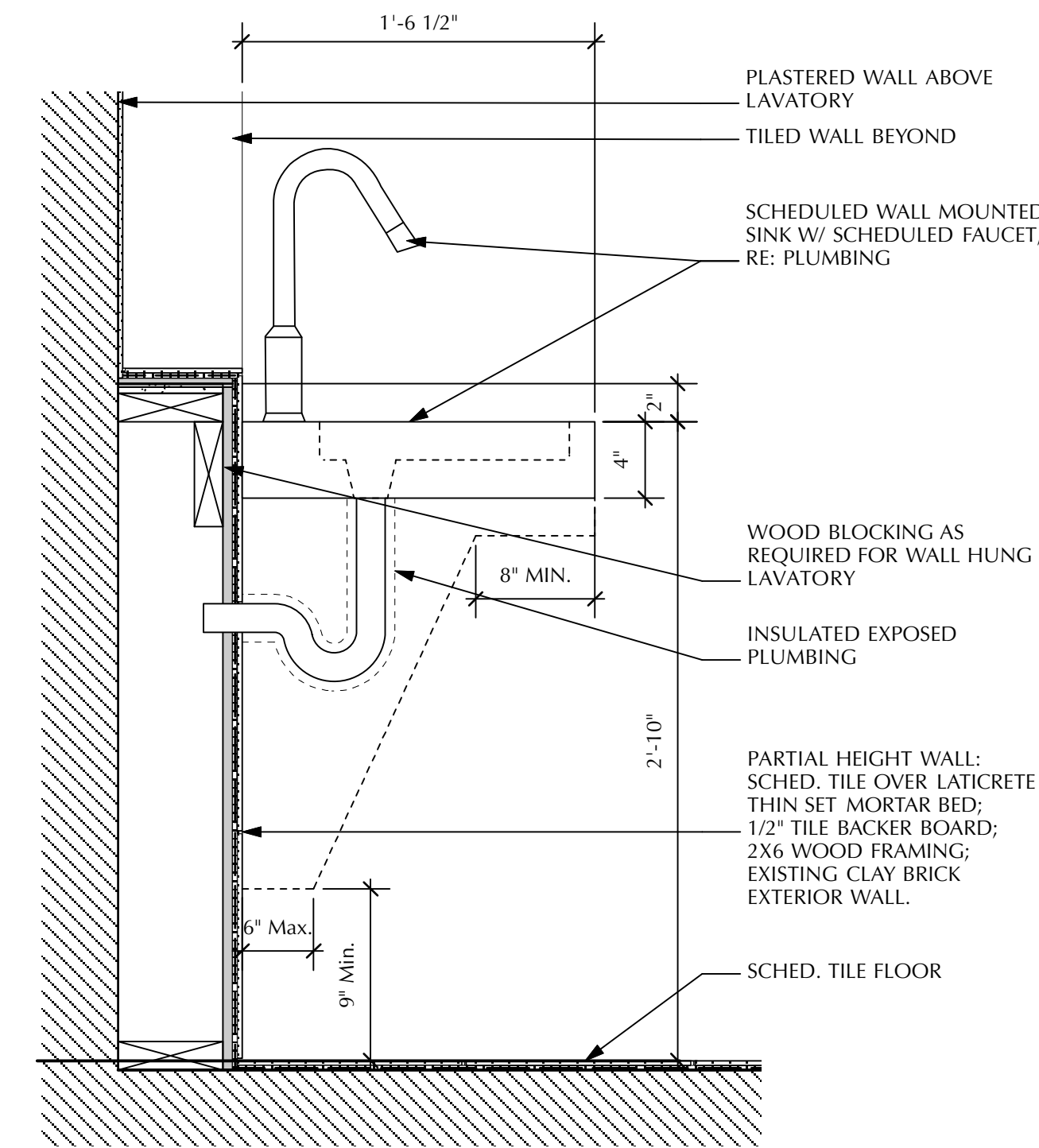


**11 Shower Detail**  
Scale: 1-1/2" = 1'-0"



**14 Toilet Detail**  
Scale: 1/2" = 1'-0"



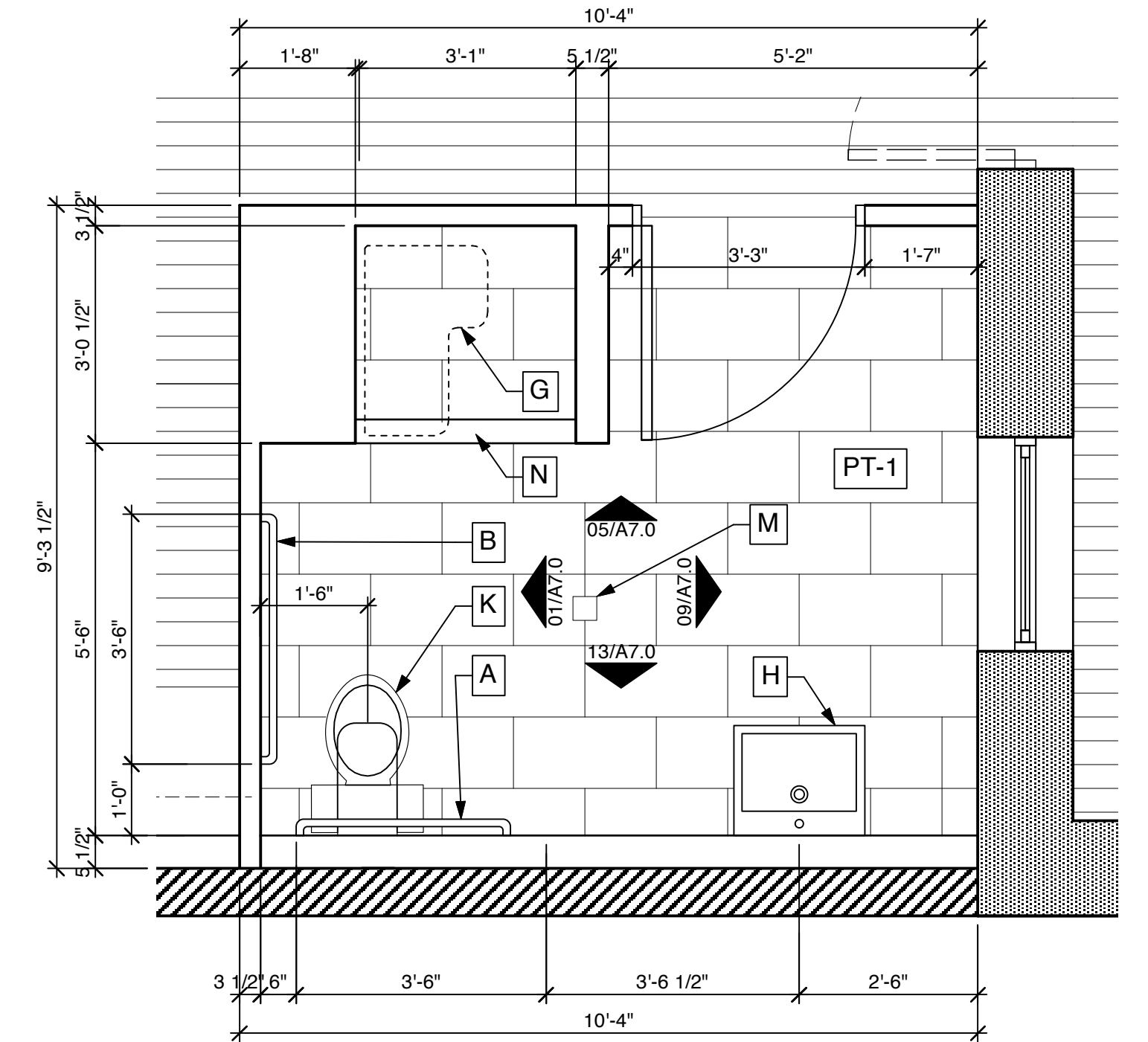
**10 Lavatory Detail**  
Scale: 1-1/2" = 1'-0"

TOILET ACCESSORY & FIXTURE SCHEDULE			
NO.	ITEM	PRODUCT NO.	REMARKS
A	36" GRAB BAR	BOBRICK # B-6806 x 36	1, 2, 3
B	42" GRAB BAR	BOBRICK # B-6806 x 42	1, 2, 3
C	RECESSED TOILET TISSUE DISPENSER WITH HOOD	BOBRICK # B-6697	1, 2, 3
D	FRAMED MIRROR (3'-0" TALL x 2'-0" WIDE)	BY OWNER	2
E	CLOTHES HOOK	BOBRICK # B-233	2, 4
F	HORIZONTAL TWO WALL GRAB BAR	BOBRICK # B-6861	1, 2, 3
G	33" TEAR ADA LEFT HAND TRANSFER SEAT	FEARWORKS/SLU (TBF-320225WL)	1, 2, 3
H	SCHEDULED LAVATORY AND FAUCET	RE: MEP DWGS.	1, 2, 3
I	SCHEDULED SHOWER CONTROLS	RE: MEP DWGS.	1, 2, 3
K	SCHEDULED TOILET	RE: MEP DWGS.	1, 2, 3
L	SHOWER CURTAIN ROD	BOBRICK # B-6047 x 36	2, 3
M	SCHEDULED FLOOR DRAIN (SQ. ZURN)	RE: MEP DWGS.	2, 3
N	SCHEDULED LINEAR SHOWER DRAIN	RE: MEP DWGS.	2, 3

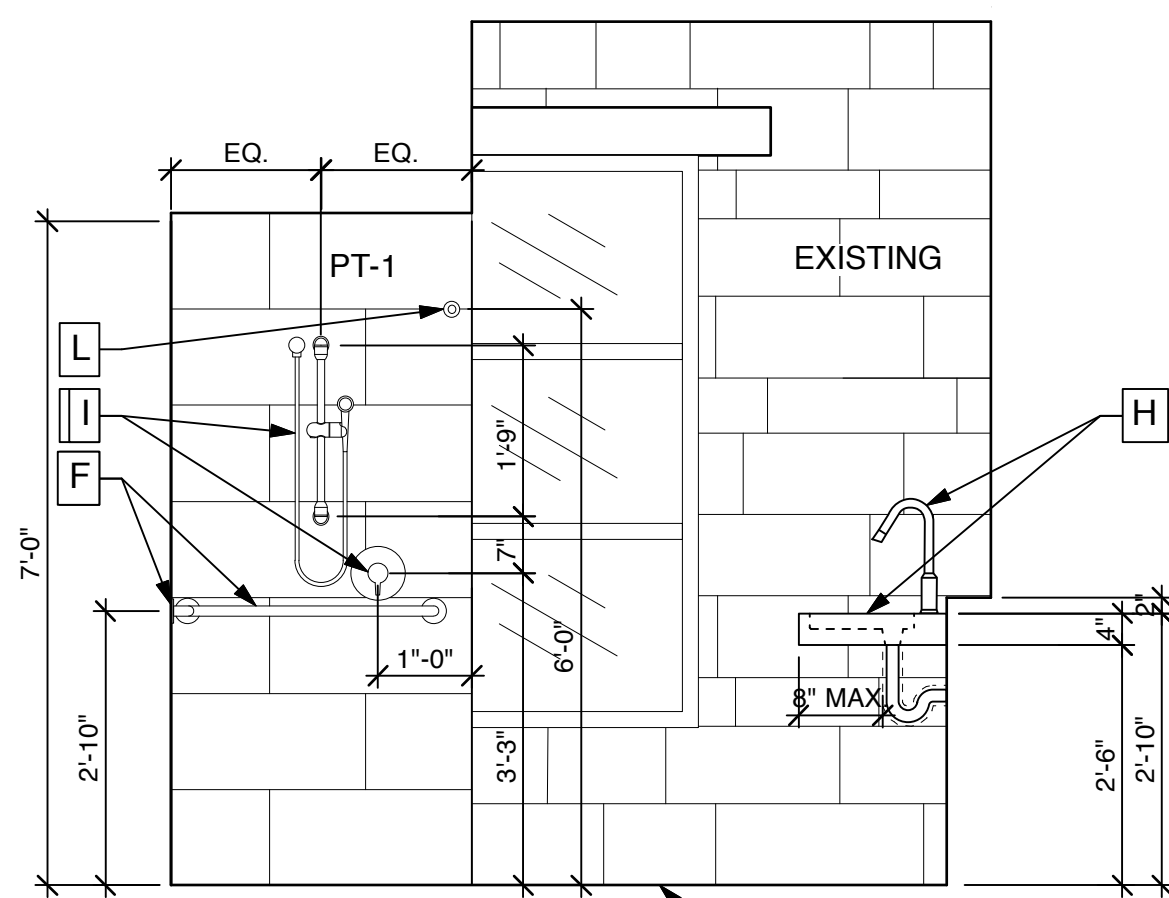
**ACCESSORY REMARKS**  
 1. PROVIDE BLOCKING IN WALL AT ANCHOR POINTS TO SUPPORT A MINIMUM OF 250 LB./FT.  
 2. INSTALL / ANCHOR PER MANUFACTURER'S SPECIFICATIONS FOR BARRIER FREE DESIGN.  
 3. COLOR TO BE SELECTED FROM STANDARD COLORS BY THE ARCHITECT.

**GENERAL TOILET ROOM NOTES**  
 1. ALL GYPSUM WALL BOARD IN TOILET ROOMS, CHANGING AREAS AND JANITOR ROOMS TO BE MOISTURE RESISTANT.

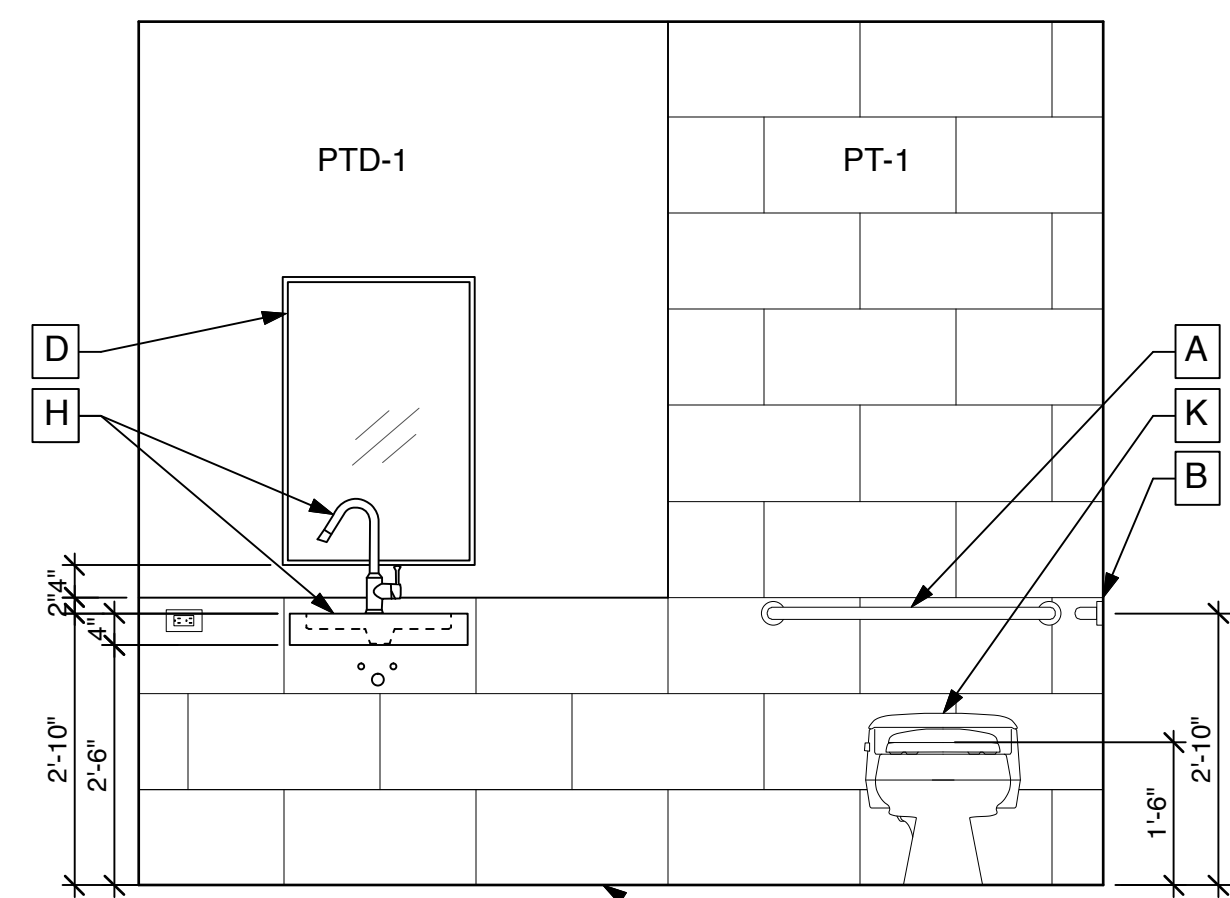
**03 Restroom Schedule**  
Scale: None



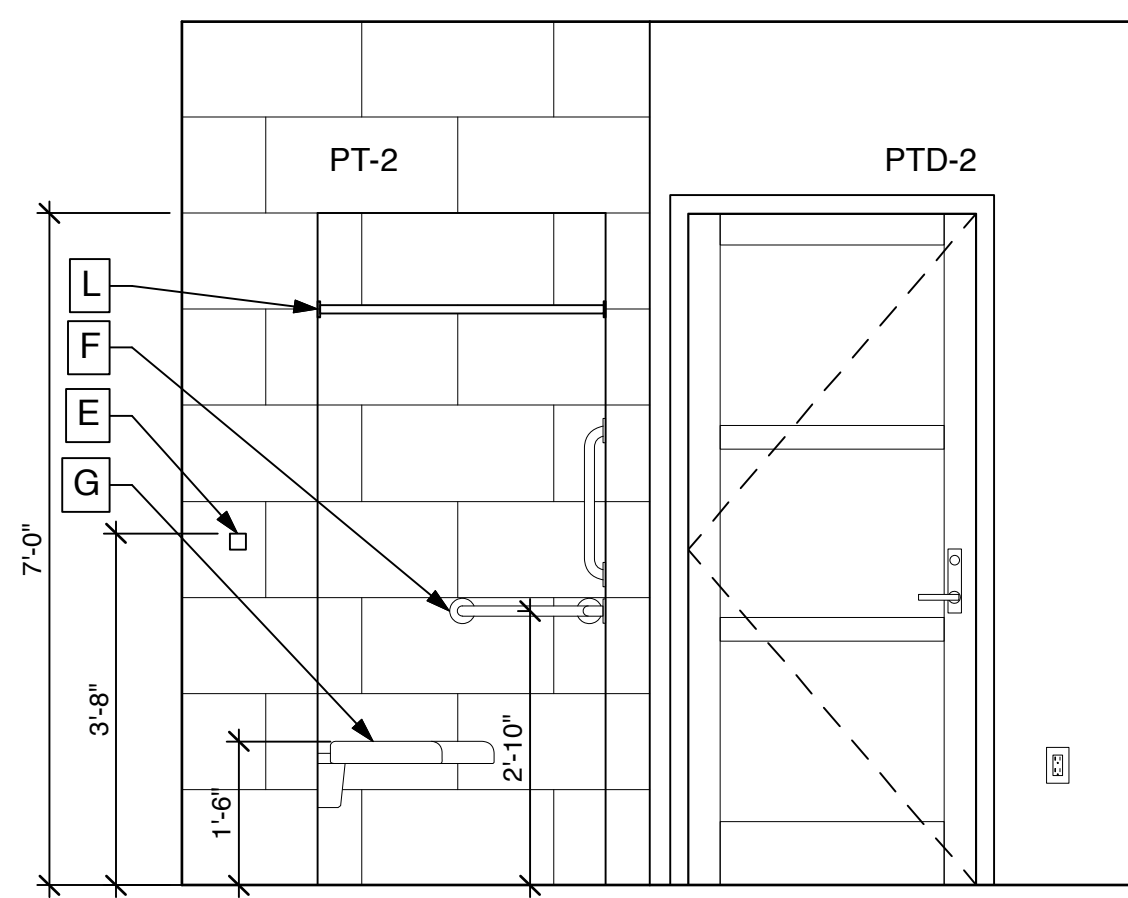
**02 Enlarged RR Plan**  
Scale: 1/2" = 1'-0"



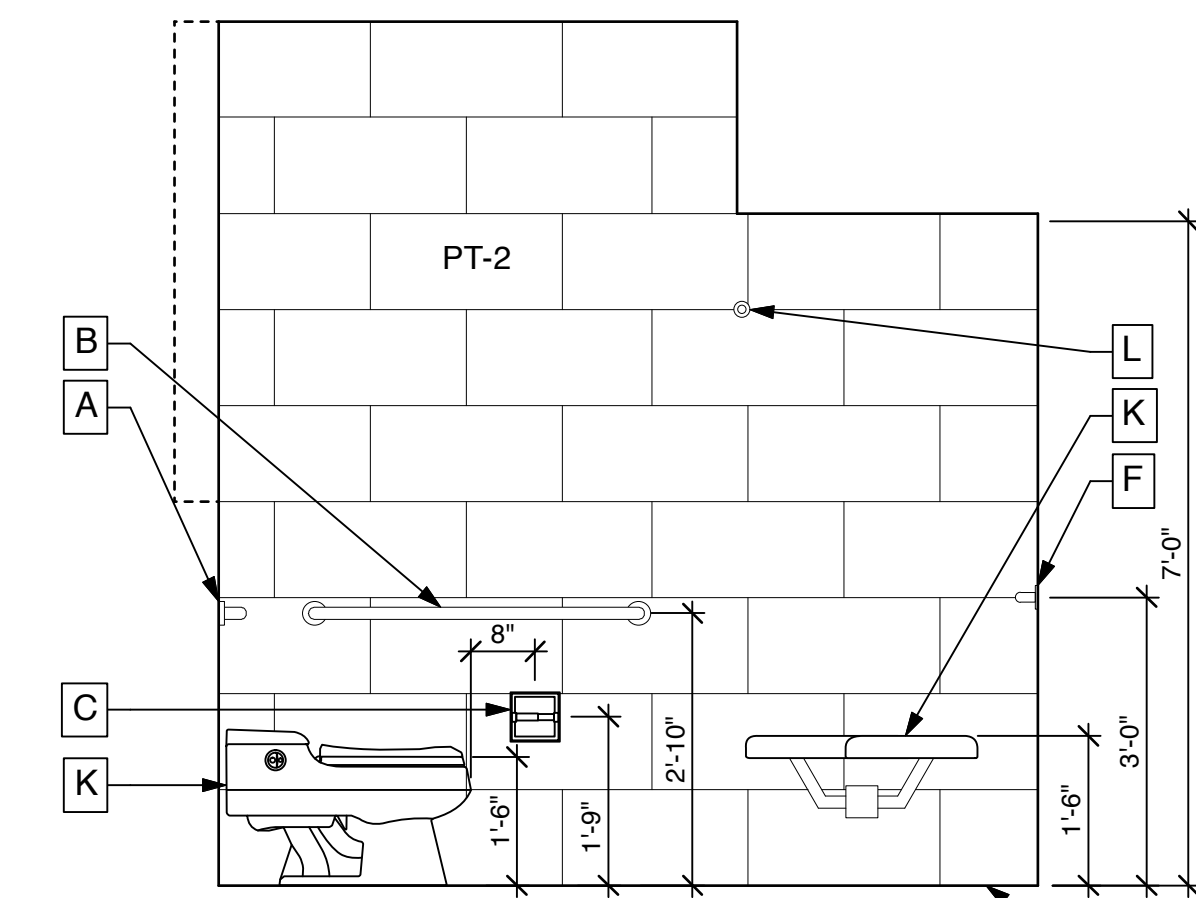
**13 Interior Elevation**  
Scale: 1/2" = 1'-0"



**09 Interior Elevation**  
Scale: 1/2" = 1'-0"



**05 Interior Elevation**  
Scale: 1/2" = 1'-0"



**01 Interior Elevation**  
Scale: 1/2" = 1'-0"

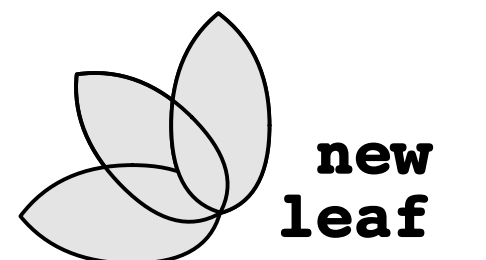
Date Issued:

11/14/2014  
04/20/2015  
05/11/2015

SD Issue  
FOR REVIEW  
PERMIT/ADA REVIEW

Project Number: 14008

**Offices at 111 Nugent**  
111 North Nugent Avenue  
Johnson City, Texas 78636



new leaf design  
po box 1826, johnson city, tx 78636  
kimberly@new-leaf.us 830/469-9677

**PERMIT/ADA**

**MEP & Structural**

**M&S Engineering**  
376 Landa Street  
New Braunfels, TX 78130  
(830) 629-2988

Sheet Content:

Enlarged RR Plan  
Interior Elevations

Scale: As Noted

File Name: 14008-A7.X Int Elevs/Dtls.vwx

Drawn By: KNR

Checked By: KNR

Plot Date: May 15, 2015

**A7.0**