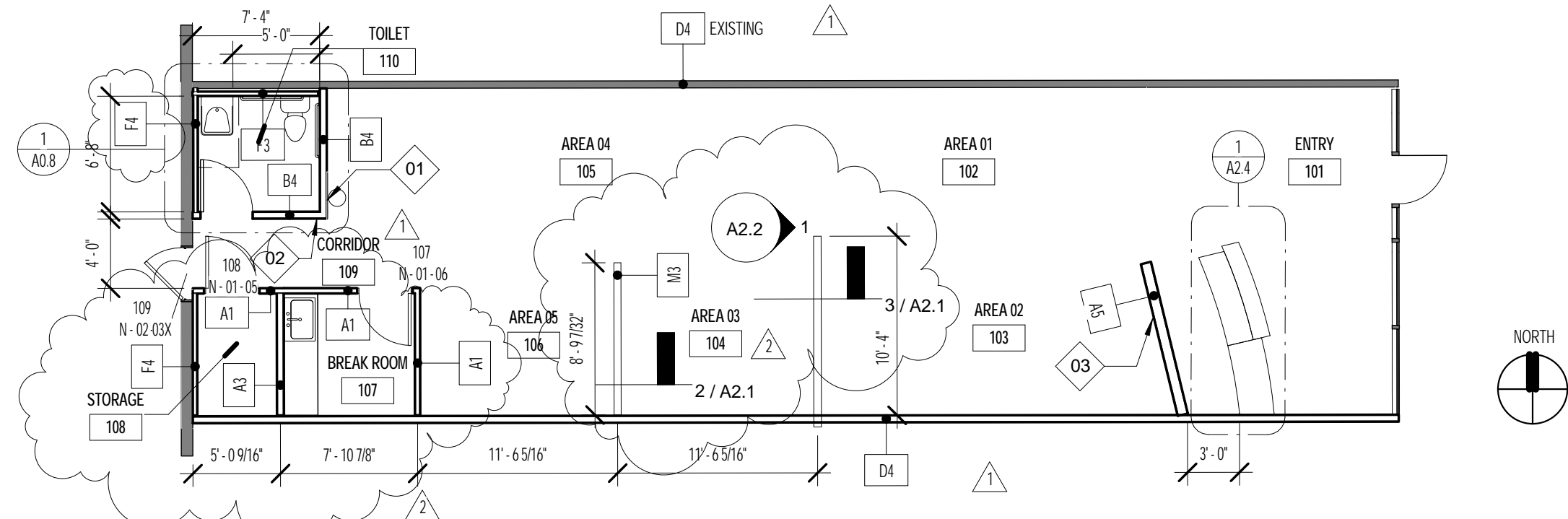


1 FLOOR PLAN
1/8" = 1'-0"



ISSUED NO.	DATE	DESCRIPTION
1	7.23.12	ISSUED FOR PERMIT
2	7.30.12	CITY REVISIONS
3	08.14.12	CITY REVISIONS

mirador group, inc.
architecture & interiors
6575 west loop south
suite 570
bellaire, texas 77401
p.713.626.4770
f.713.661.6606

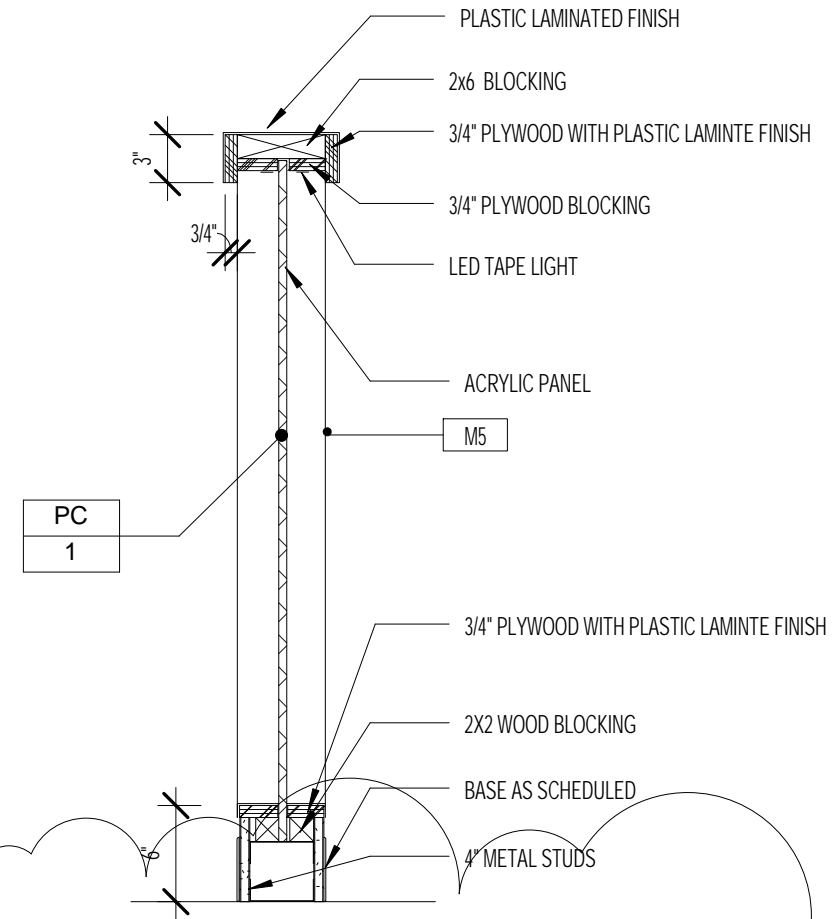
ENERGEE MESSAGE
25705 KATY FREEWAY, SUITE 130
KATY, TEXAS 77494



DATE:	7.23.12
PROJECT NO:	MG PROJECT NO. 12-142
SHEET:	FLOOR PLAN A2.1

- KEY NOTES**
- 01 PROVIDE POWER FOR BOTTLED WATER COOLER. DISPOSABLE CUPS TO BE PROVIDED.
 - 02 PROVIDE FIRE EXTINGUISHER (FEC).
 - 03 PROVIDE BLOCKING FOR TELEVISION MONITOR

3 PANEL WALL SECTION
1" = 1'-0"



2 LOW HEIGHT WALL DETAIL
1" = 1'-0"

