

Cuhaci & Peterson
Architects

1220 Alden Road
Orlando, Florida 32803
Ph: 407 228 4230
Fax: 407 228 4219

© COPYRIGHT
All reports, plans, specifications, contract files, field notes, notes and other documents and instruments of service are the property of Cuhaci & Peterson Architects, Inc. and shall remain the property of Cuhaci & Peterson Architects, Inc. No part of this document shall be reproduced or transmitted in any form or by any means, electronic, mechanical, photocopying, recording, or by any information storage and retrieval system, without the prior written permission of Cuhaci & Peterson Architects, Inc.

FT. LAUDERDALE ALE HOUSE
2851 N. FEDERAL HIGHWAY
BROWARD CO., FLORIDA

RESTROOM PLAN,
RESTROOM ELEVATIONS
& ACCESSORY SCHEDULE

DRAWING TITLE

REVISION

1	
2	
3	
4	
5	

JOB NO. 200009
SCALE AS SHOWN
DATE 4/10/2000
DRAWN MCI
CHECKED JAF
DRAWING NO.

A-7
TL-7178

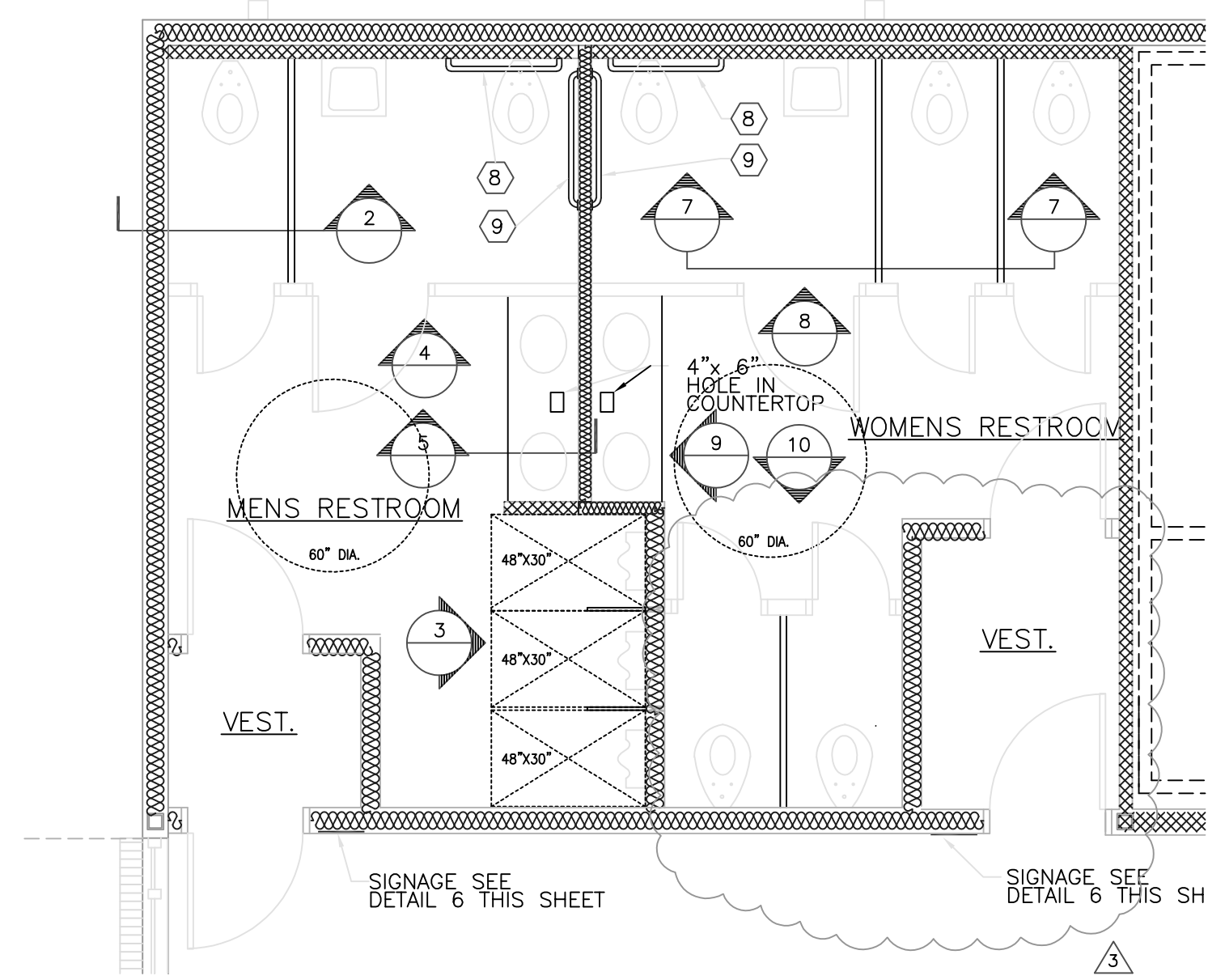
GENERAL NOTES:

- 1. PROVIDE WATER PROOF TYPE GYP. BOARD IN TOILETS.
- 2. HANDICAP TOILET ACCESSORIES SHALL COMPLY WITH ALL APPLICABLE CODES
- 3. INSTALL SUPPORT BLOCKING IN WALLS WHERE NECESSARY FOR TOILET ACCESSORIES, INCLUDING GRAB BARS. REFER TO MANUFACTURER'S INSTALLATION INSTRUCTIONS.
- 4. PROVIDE INSULATION ON DRAINS AND HOT WATER LINES AT HANDICAP LAVATORIES
- 5. CONTRACTOR TO PROVIDE ALL SIGNS, DECALS, SYMBOLS, ETC. REQUIRED FOR DISABLED ACCESSIBILITY AS DESIGNATED BY LOCAL CODES AND AUTHORITY.
- 6. CERAMIC TILE USED FOR FLOOR AND WALLS IN RESTROOMS

TOILET ACCESSORY SCHEDULE

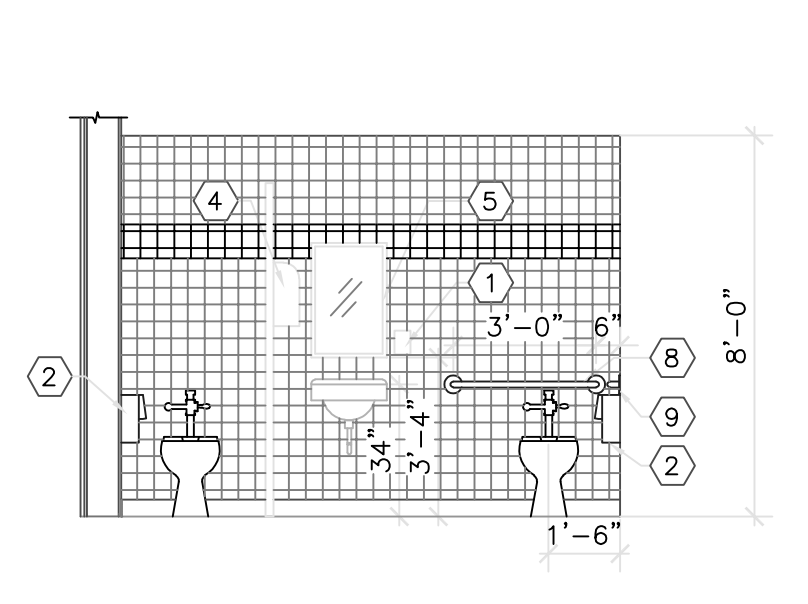
MARK	DESCRIPTION	MODEL NO.
1	WALL MOUNTED SOAP DISPENSER	B-2111
2	SURFACE MTD TOILET TISSUE DISPENSER	B-2740
3	MIRROR 36" HIGH	CUSTOM
4	NOT USED	
5	HANDICAP MIRROR 16" X 30"	B-294-1630
6	NOT USED	
7	COAT HOOK AND BUMPER	B-212
8	HANDICAPPED GRAB BAR	B-550 X 36"
9	HANDICAPPED GRAB BAR	B-550 X 42"
10	NOT USED	
11	NOT USED	

NOTES: 1. ACCESSORIES SCHEDULED ARE BY BOBRICK WASHROOM EQUIPMENT, INC., JBU INDUSTRIES, AND WATERBURY CO.
2. ALL ACCESSORIES ARE TO BE MOUNTED IN ACCORDANCE WITH THE ACCESSIBILITY CRITERIA OF AMERICAN WITH DISABILITIES ACT, AND STATE AND LOCAL ACCESSIBILITY CODES.

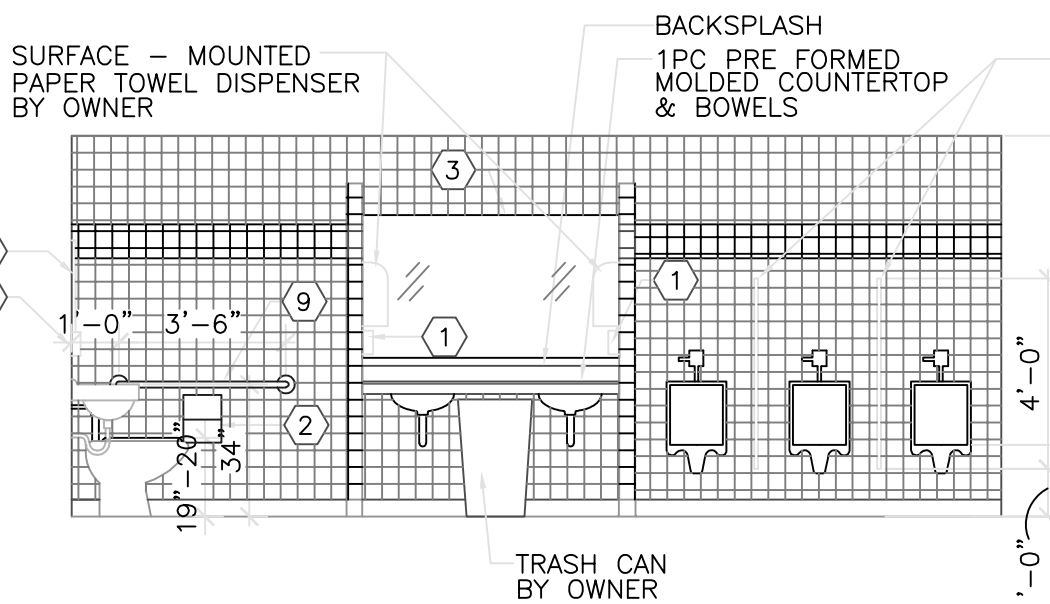


1 RESTROOM PLANS
SCALE: 1/4" = 1'-0"

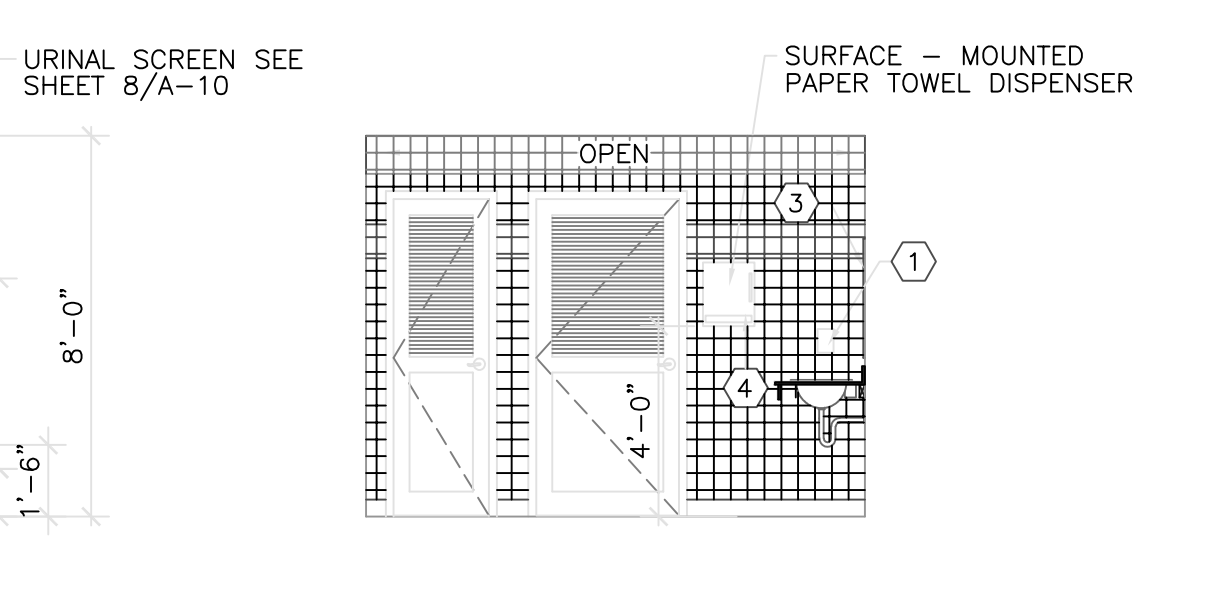
WOMENS RESTROOM VESTIBULE FLIPPED PER REQUEST OF BUILDING DEPT.



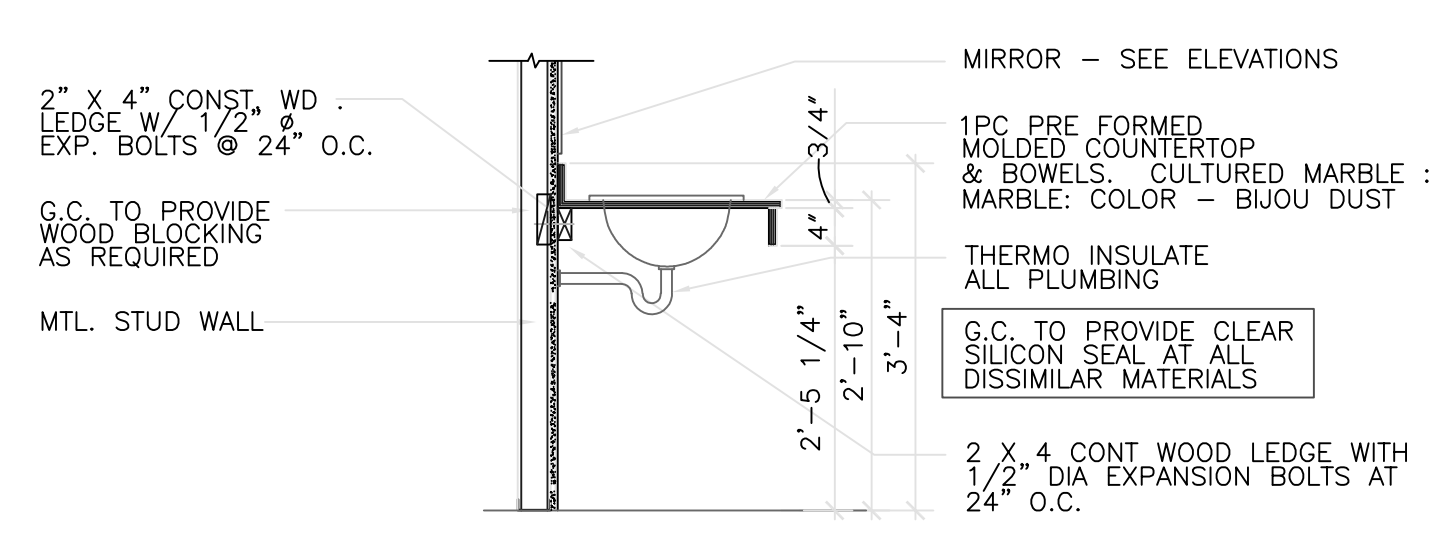
2 MENS RESTROOM ELEVATION
SCALE: 1/4" = 1'-0"



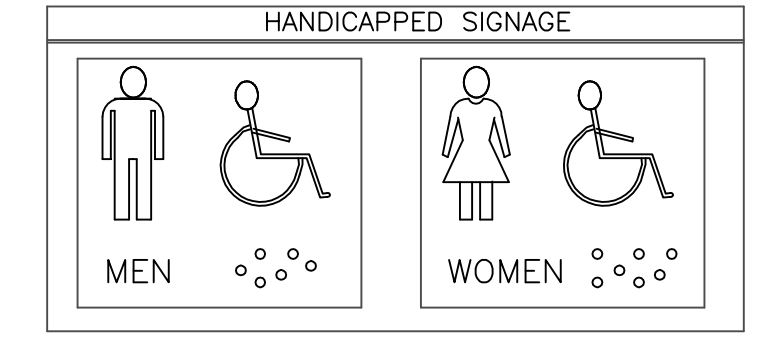
3 MENS RESTROOM ELEVATION
SCALE: 1/4" = 1'-0"



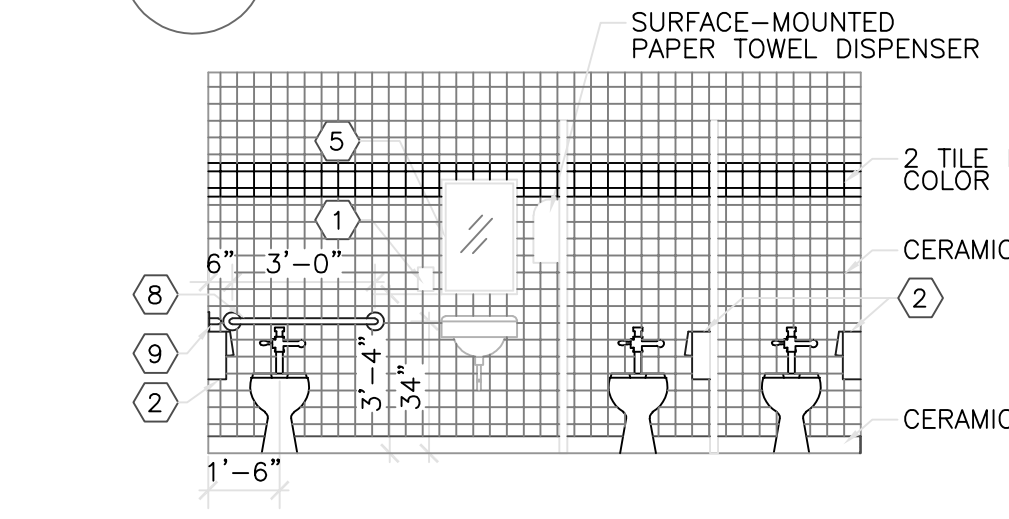
4 MENS RESTROOM ELEVATION
SCALE: 1/4" = 1'-0"



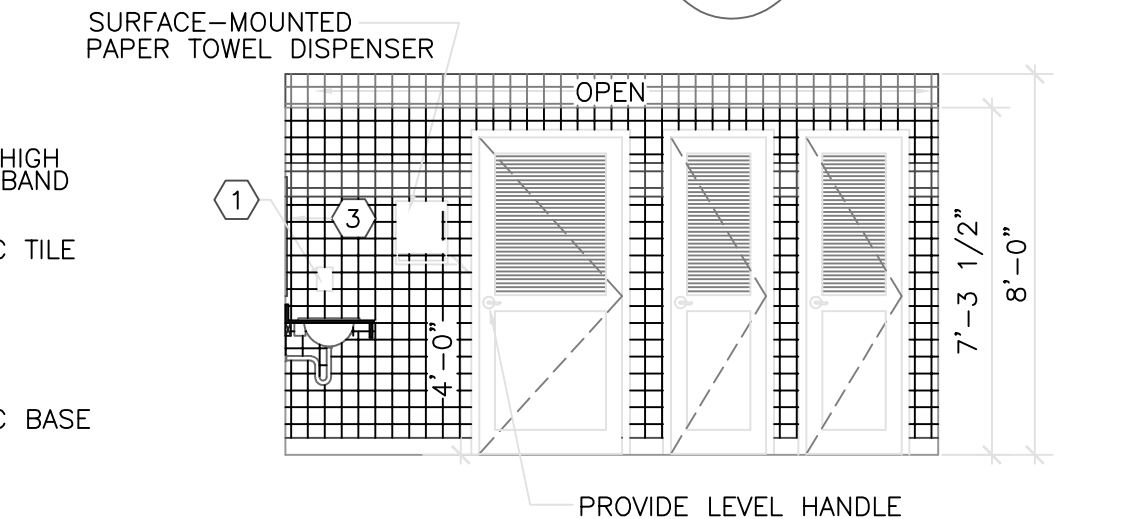
5 LAVATORY SECTION DETAIL
SCALE: N.T.S.



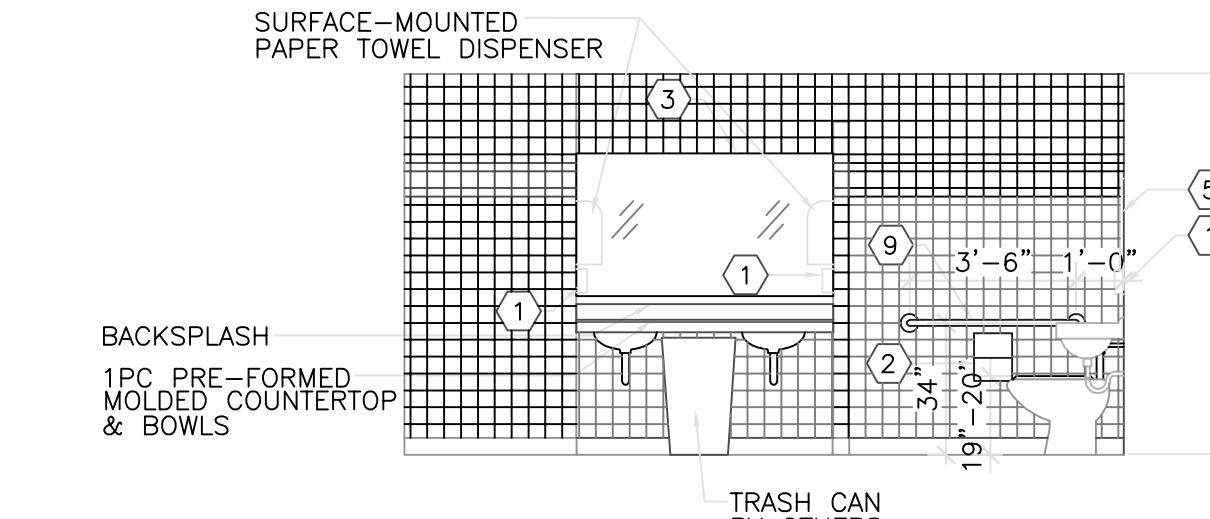
6 HANDICAPPED SIGNAGE
SCALE: N.T.S.



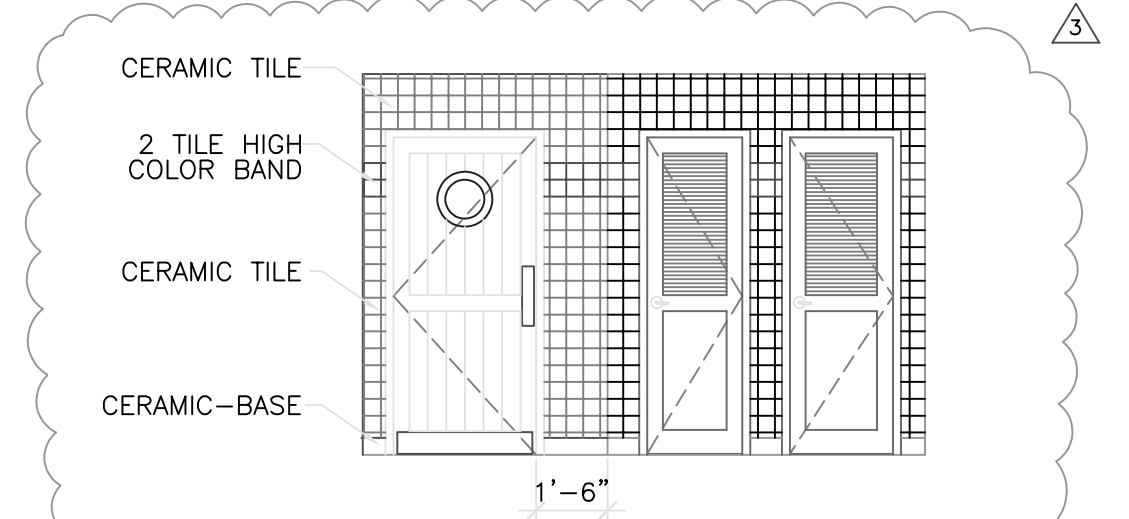
7 WOMENS RESTROOM ELEVATION
SCALE: 1/4" = 1'-0"



8 WOMENS RESTROOM ELEVATION
SCALE: 1/4" = 1'-0"

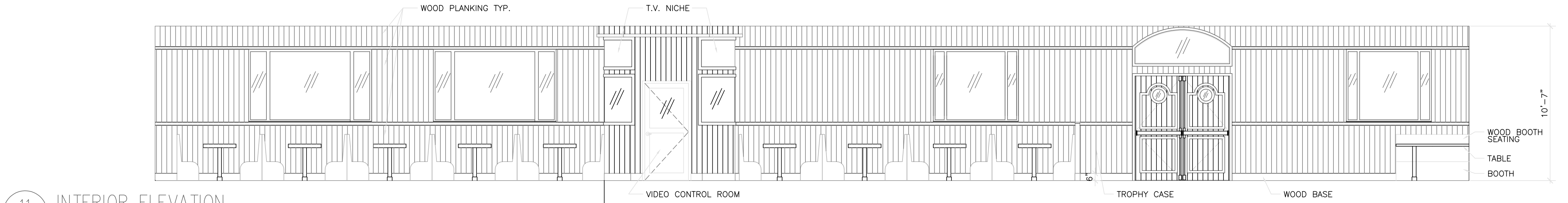


9 WOMENS RESTROOM ELEVATION
SCALE: 1/4" = 1'-0"

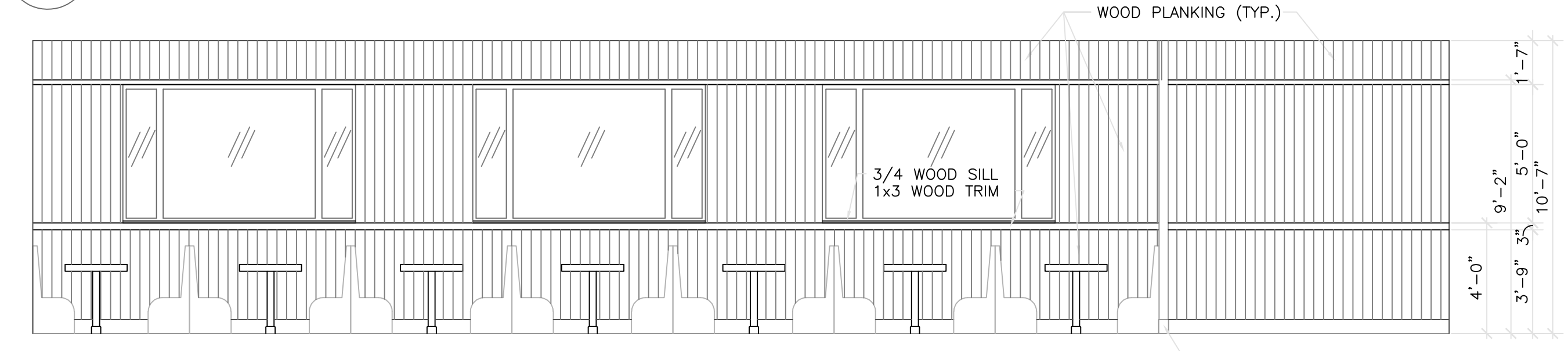


10 WOMENS RESTROOM ELEVATION
SCALE: 1/4" = 1'-0"

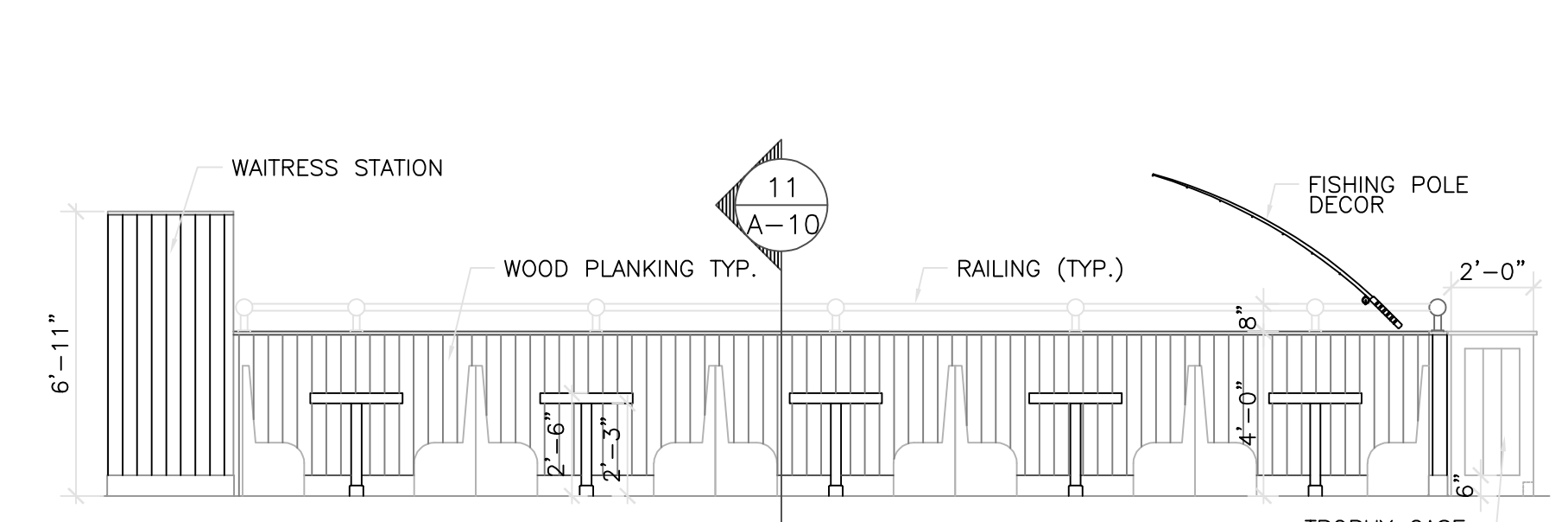
WOMENS RESTROOM VESTIBULE FLIPPED PER REQUEST OF BUILDING DEPT.



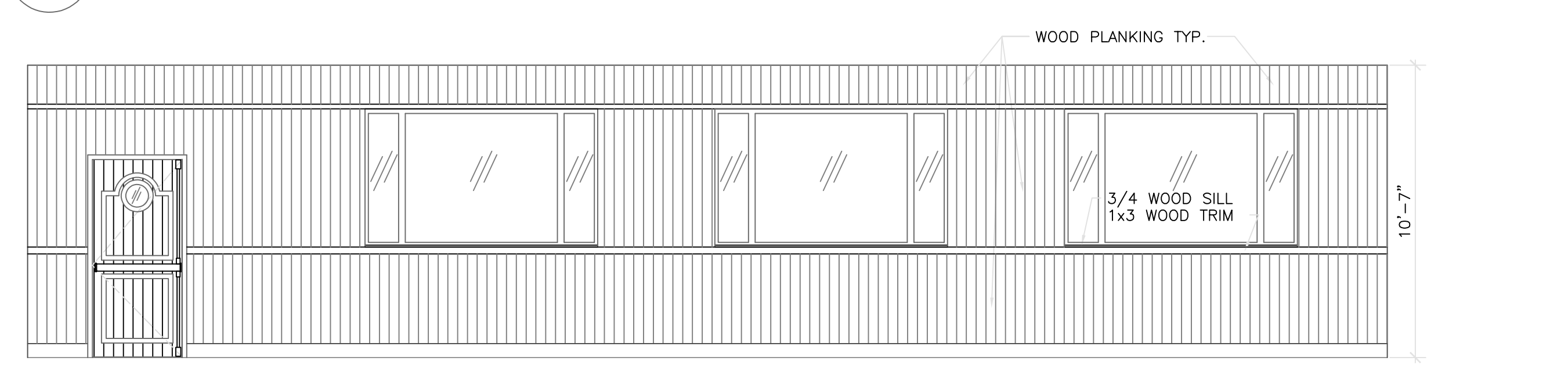
11 INTERIOR ELEVATION
SCALE: 1/4" = 1'-0"



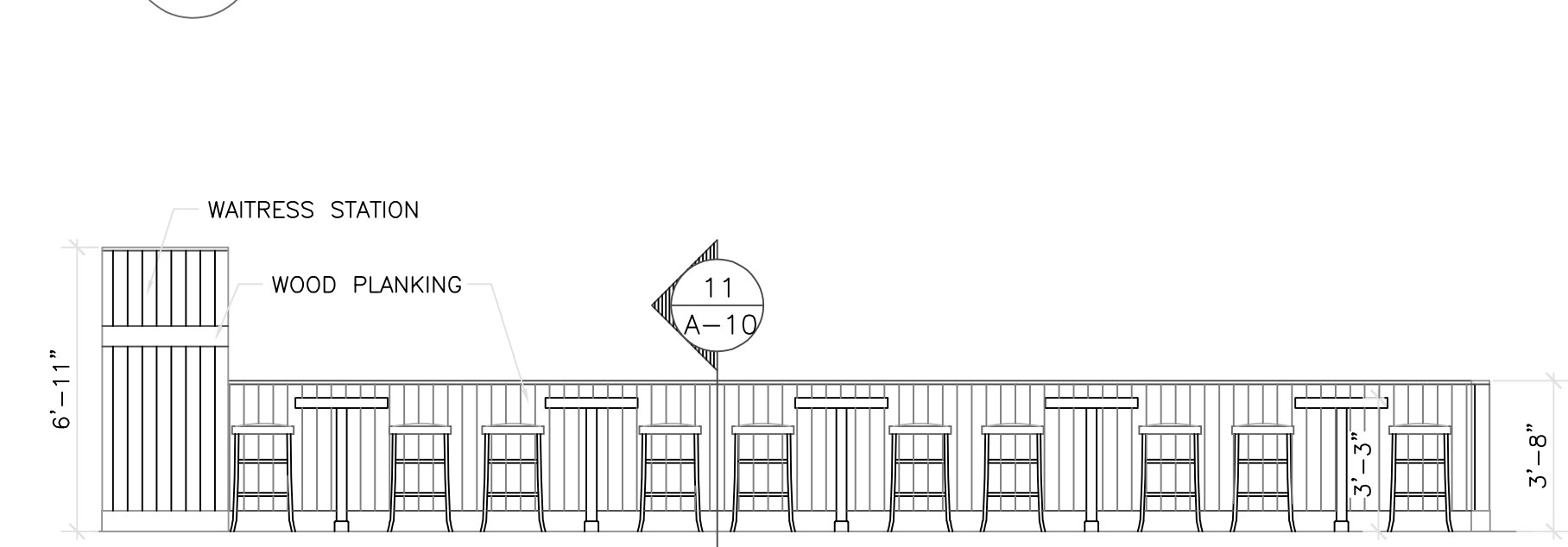
12 INTERIOR ELEVATION
SCALE: 1/4" = 1'-0"



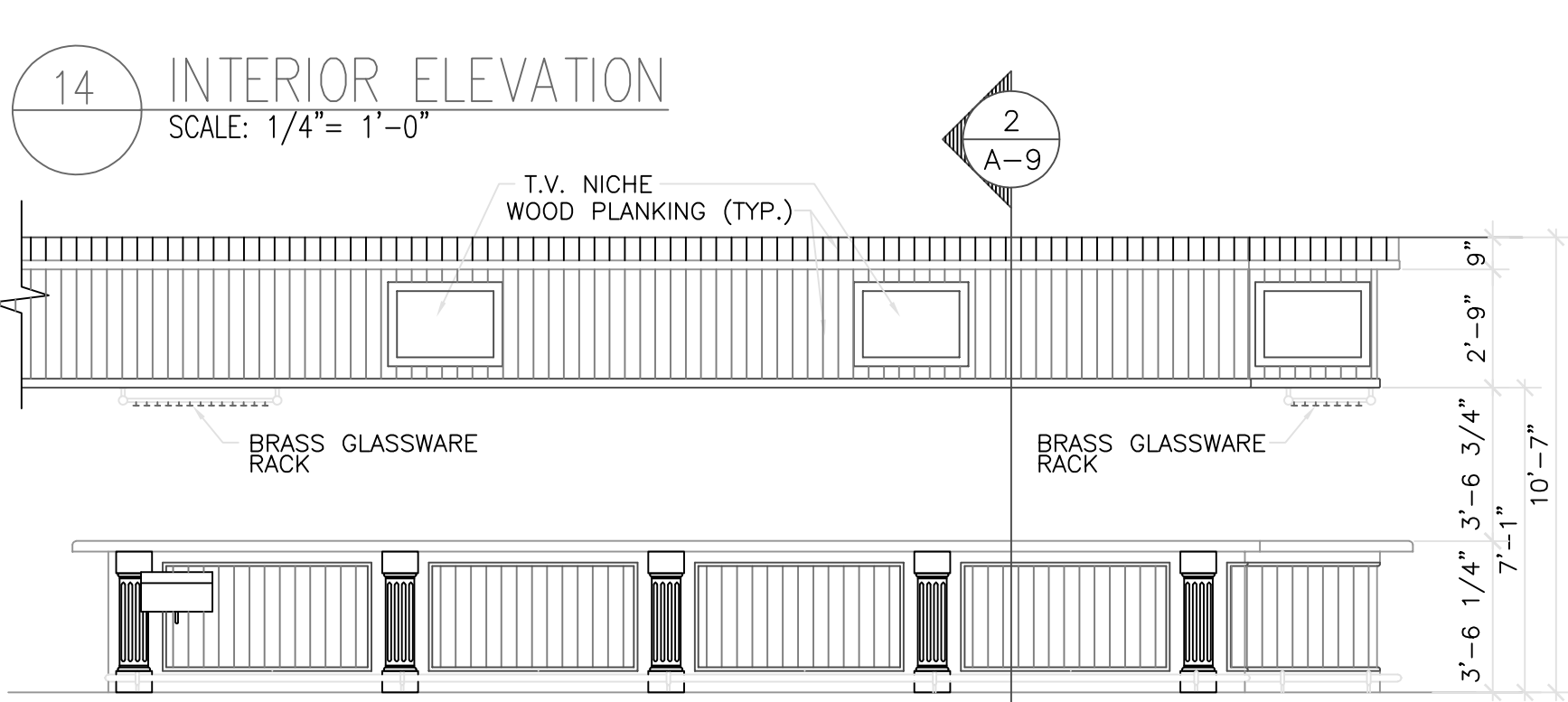
13 INTERIOR ELEVATION
SCALE: 1/4" = 1'-0"



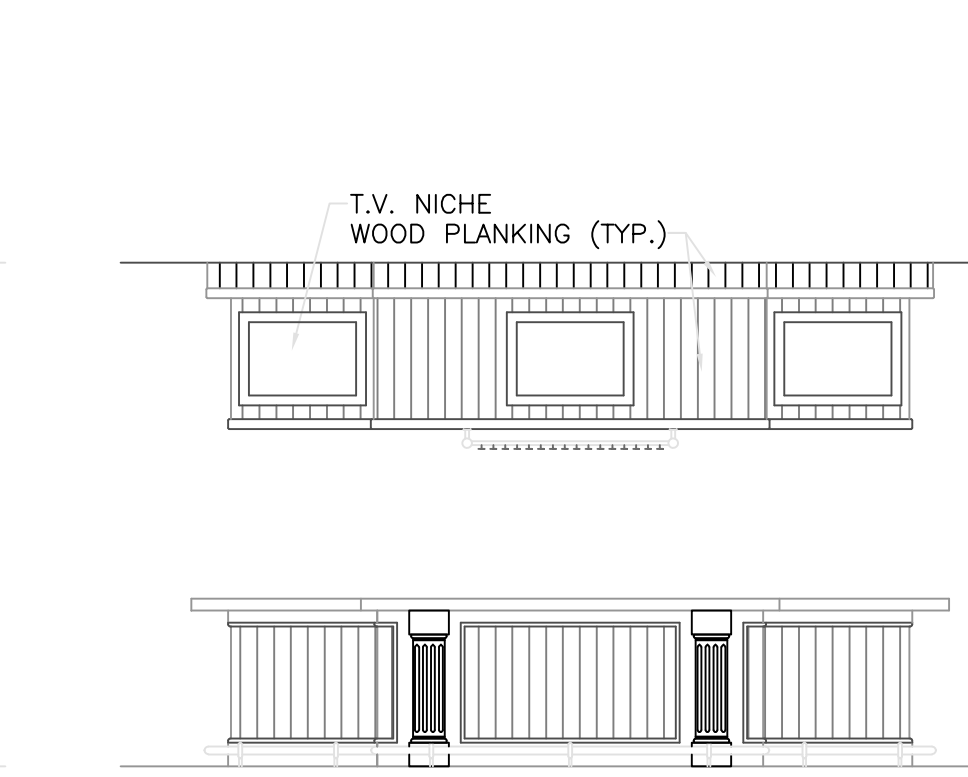
14 INTERIOR ELEVATION
SCALE: 1/4" = 1'-0"



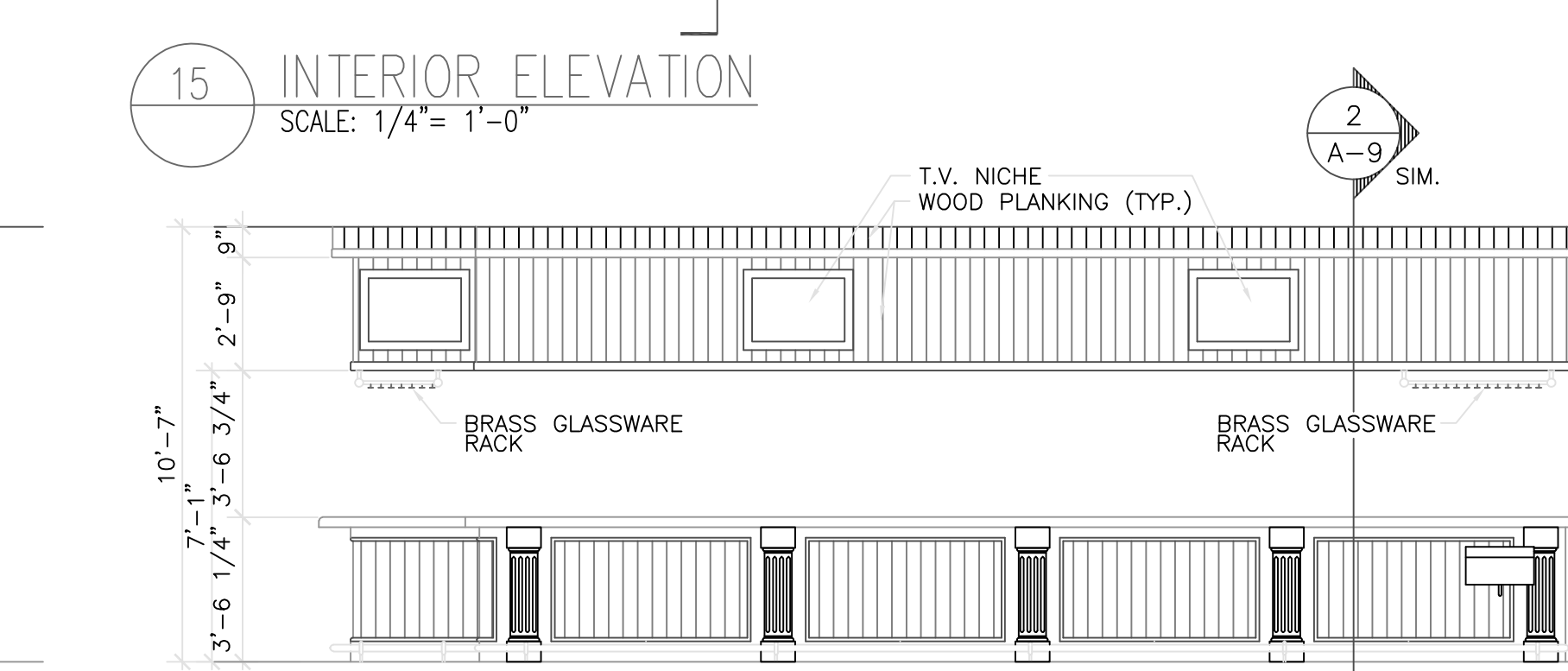
15 INTERIOR ELEVATION
SCALE: 1/4" = 1'-0"



18 INTERIOR ELEVATION
SCALE: 1/4" = 1'-0"

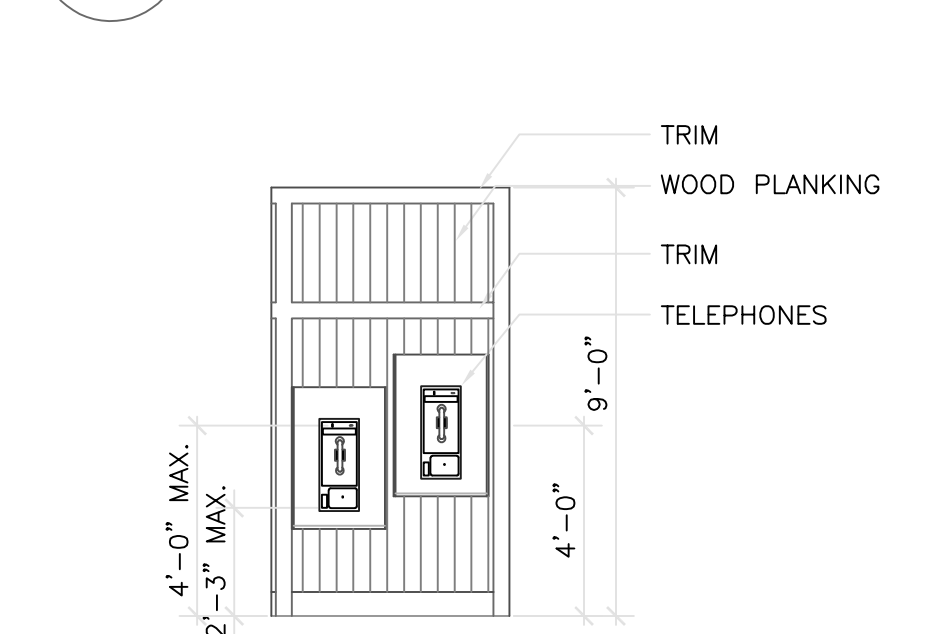


19 INTERIOR ELEVATION
SCALE: 1/4" = 1'-0"

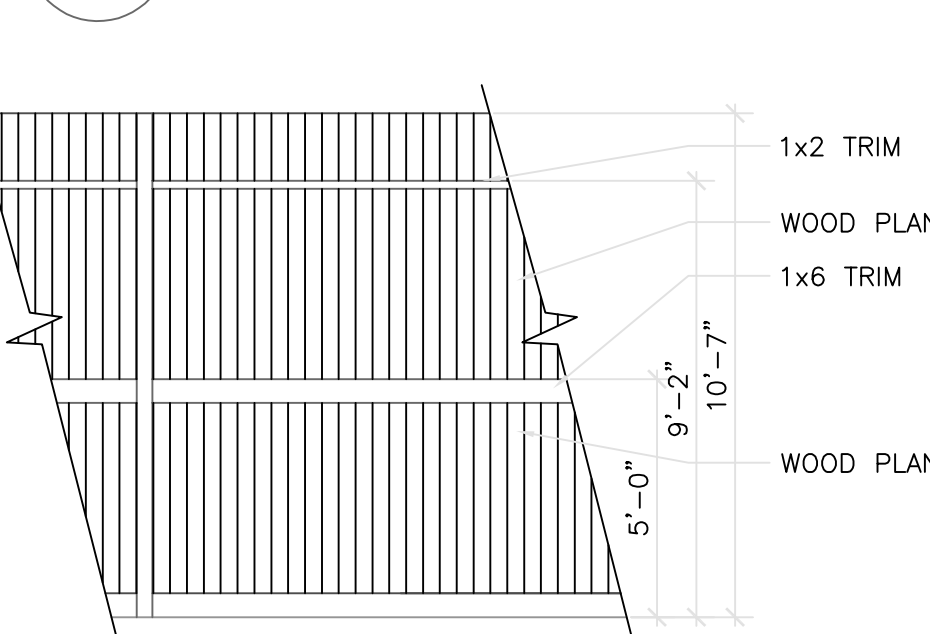


20 INTERIOR ELEVATION
SCALE: 1/4" = 1'-0"

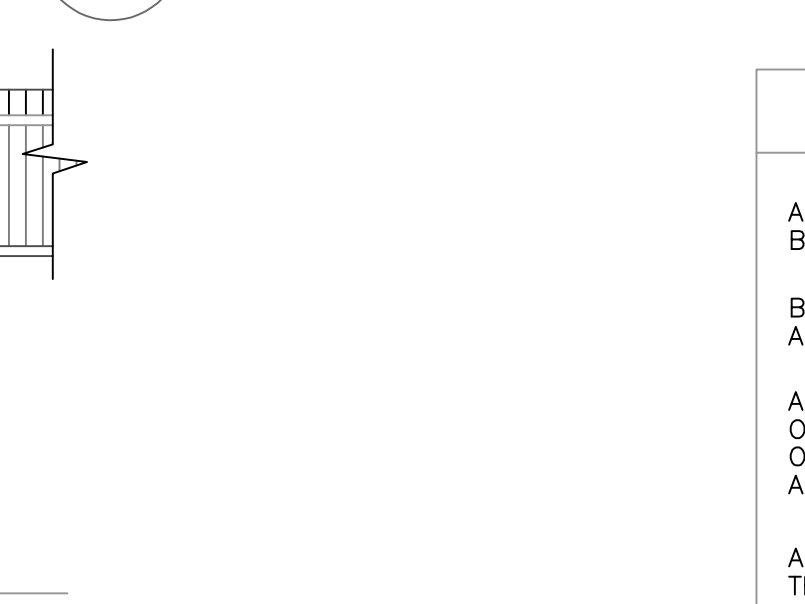
22 TROPHY CASE ELEVATION
SCALE: 1/4" = 1'-0"



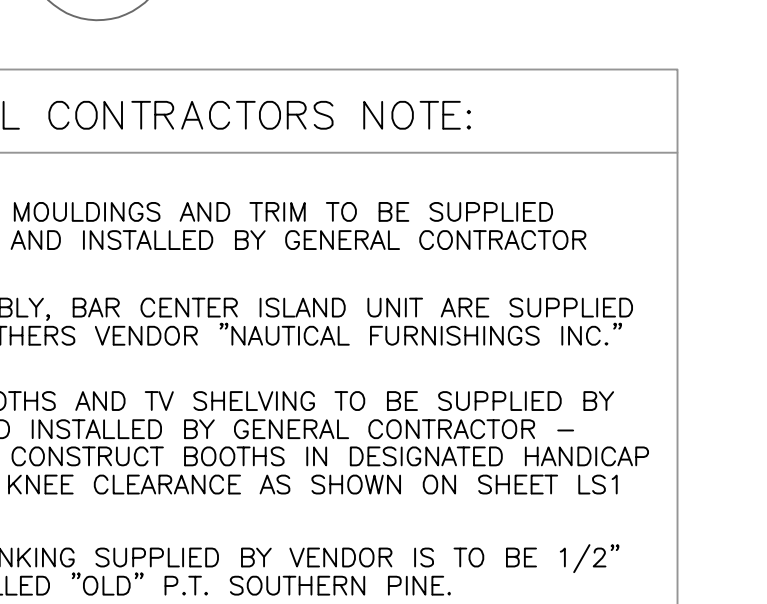
23 HOST PODIUM ELEVATION
SCALE: 1/4" = 1'-0"



16 INTERIOR ELEVATION
SCALE: 1/4" = 1'-0"



17 INTERIOR ELEVATION
SCALE: 1/4" = 1'-0"



GENERAL CONTRACTORS NOTE:

ALL WOOD PLANKING, MOULDINGS AND TRIM TO BE SUPPLIED BY OWNER'S VENDOR AND INSTALLED BY GENERAL CONTRACTOR
BAR COUNTER ASSEMBLY, BAR CENTER ISLAND UNIT ARE SUPPLIED AND INSTALLED BY OTHERS VENDOR "NAUTICAL FURNISHINGS INC."
ALL TABLE TOPS, BOOTHS AND TV SHELVING TO BE SUPPLIED BY OWNER'S VENDOR AND INSTALLED BY GENERAL CONTRACTOR
OWNER'S VENDOR TO CONSTRUCT BOOTHS IN DESIGNATED HANDICAP AREA TO ALLOW FOR KNEE CLEARANCE AS SHOWN ON SHEET LS1
ALL WOOD STRIP PLANKING SUPPLIED BY VENDOR IS TO BE 1/2" THICK X 6" WIDE, MILLED "OLD" P.T. SOUTHERN PINE.
WINDOW BLINDS BY GC. PREFERRED SUPPLIER SUN-TECH GRABER
MINI BLINDS FORESTGREEN 061 1"
LAVATORY COUNTER TOPS AND SPLASH
CULTURED MARBLE - BIJOU DUST