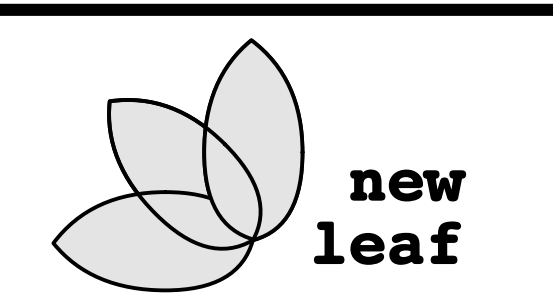


**Offices at 111 Nugent**  
 111 North Nugent Avenue  
 Johnson City, Texas 78636



new leaf design  
 po box 1826, johnson city, tx 78636  
 kimberly@new-leaf.us 830/469-9677

**PERMIT/ADA**

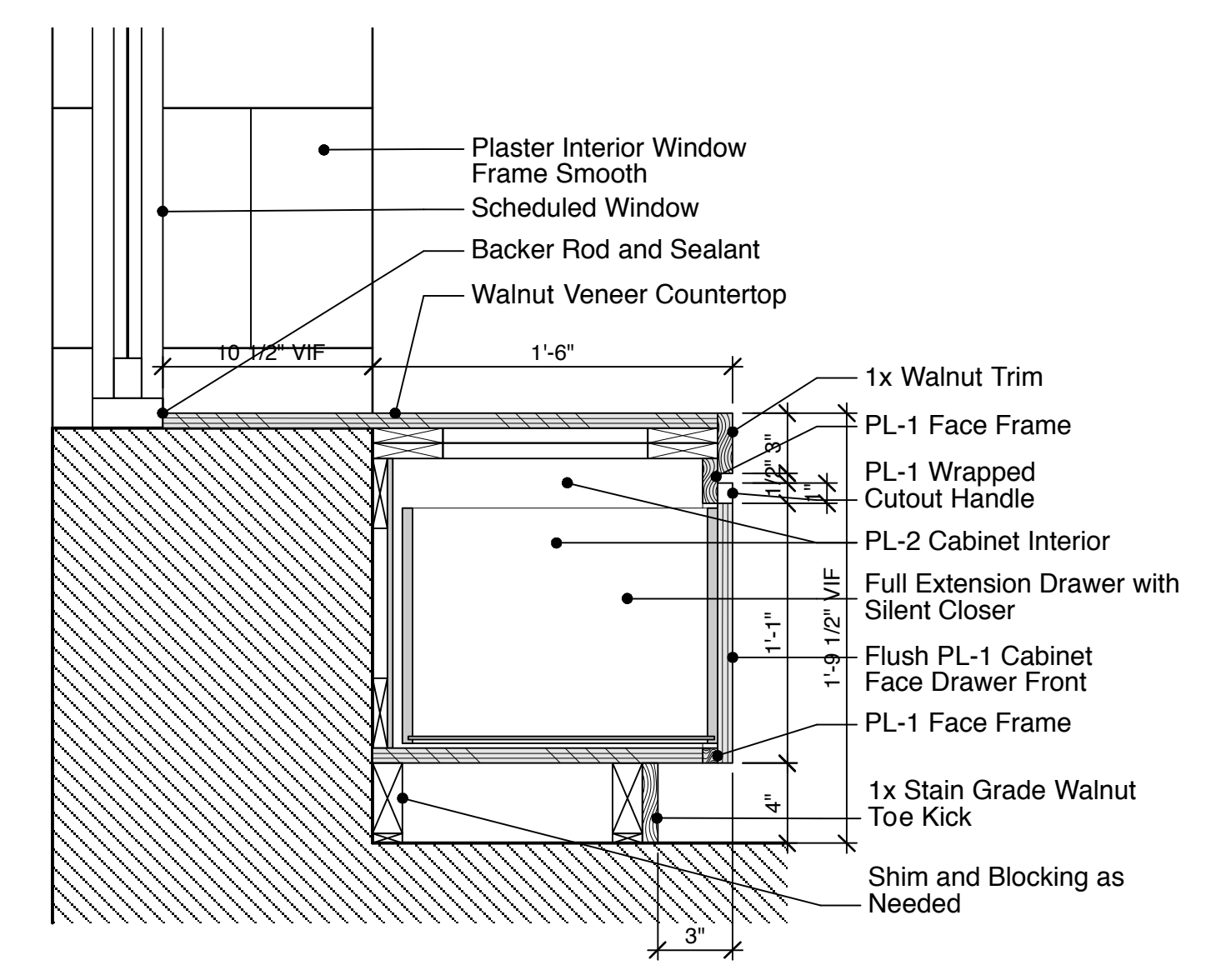
**MEP & Structural**

**M&S Engineering**  
 376 Landa Street  
 New Braunfels, TX 78130  
 (830) 629-2988

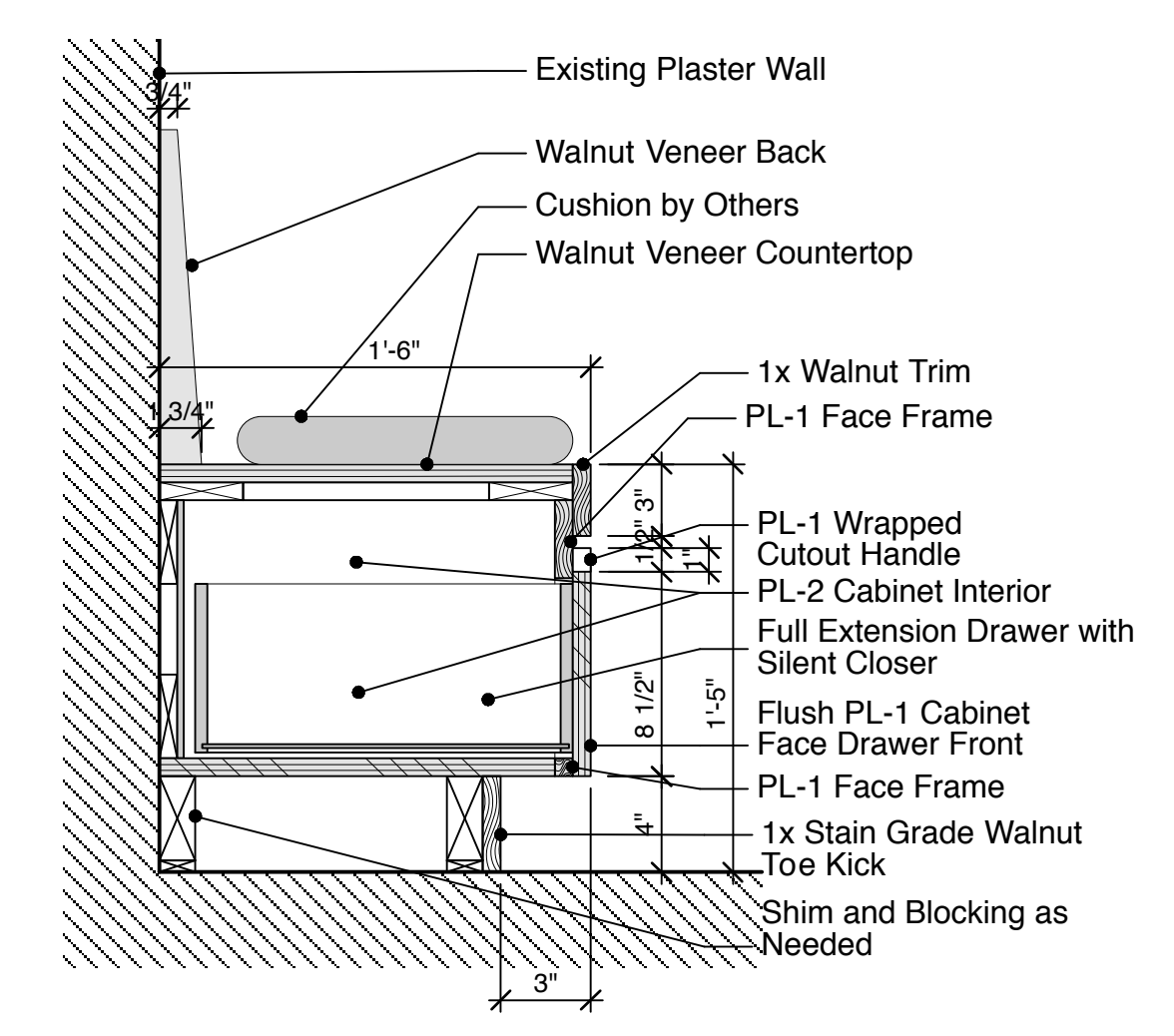
Sheet Content:

Interior Elevations

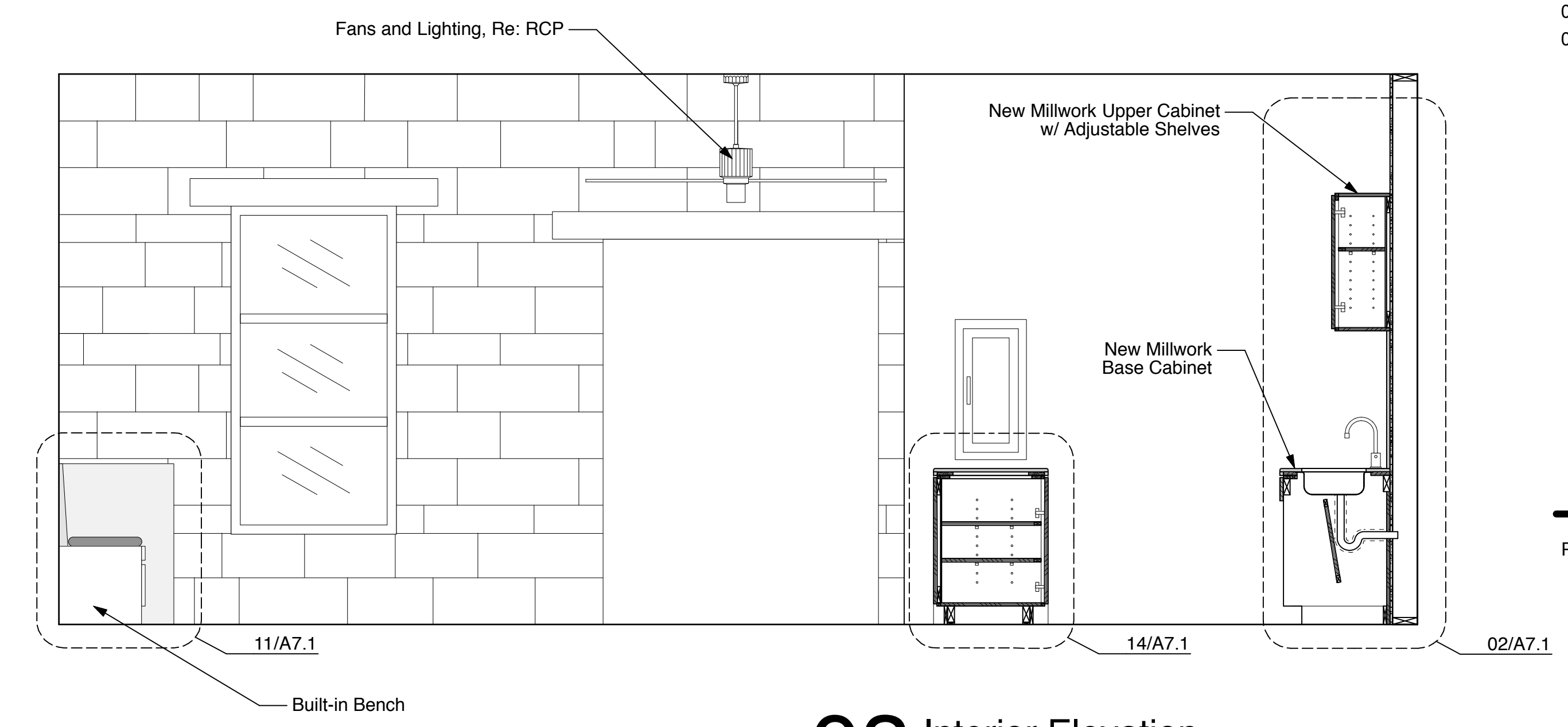
Scale: As Noted



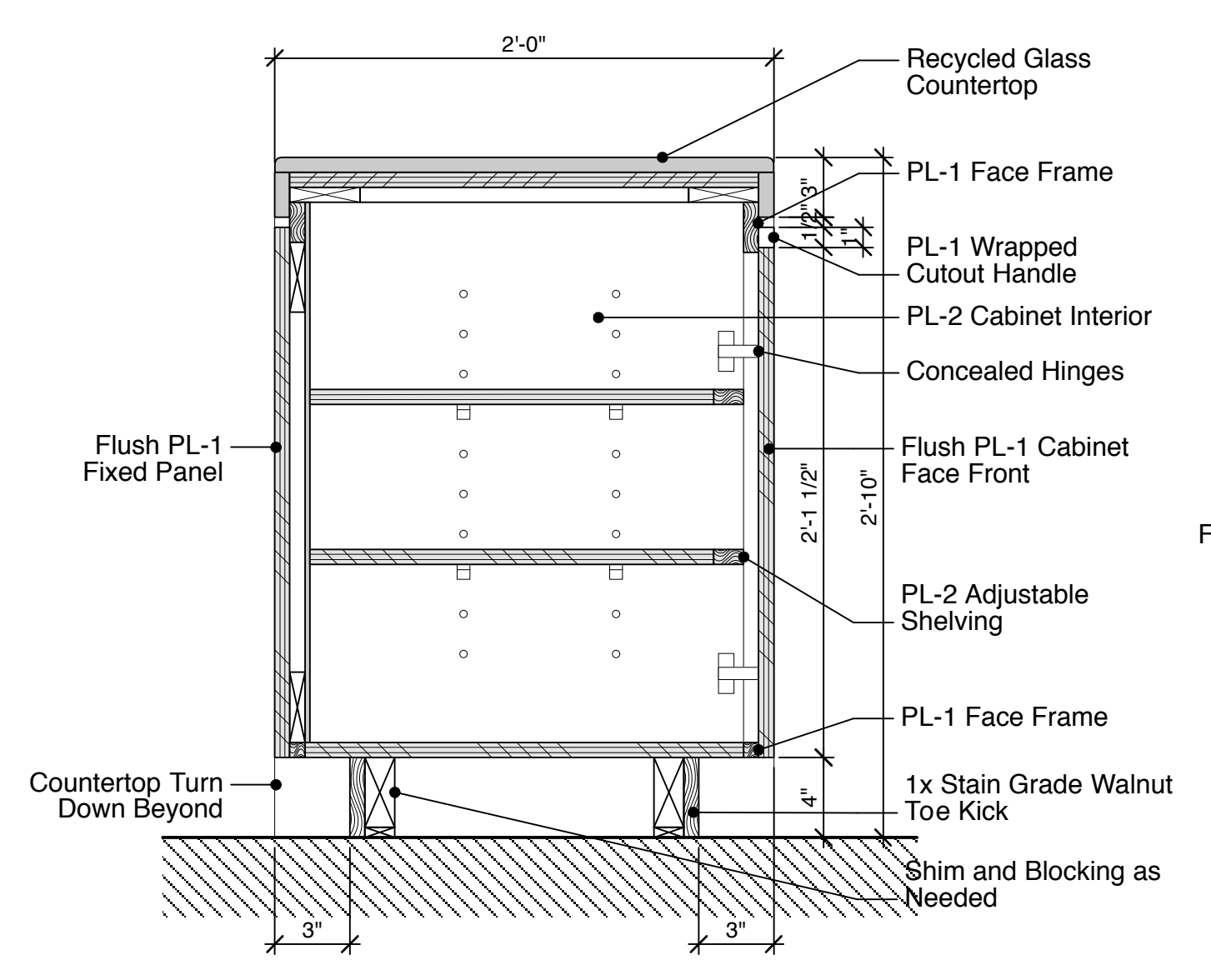
**15 Millwork Detail**  
 Scale: 1-1/2" = 1'-0"



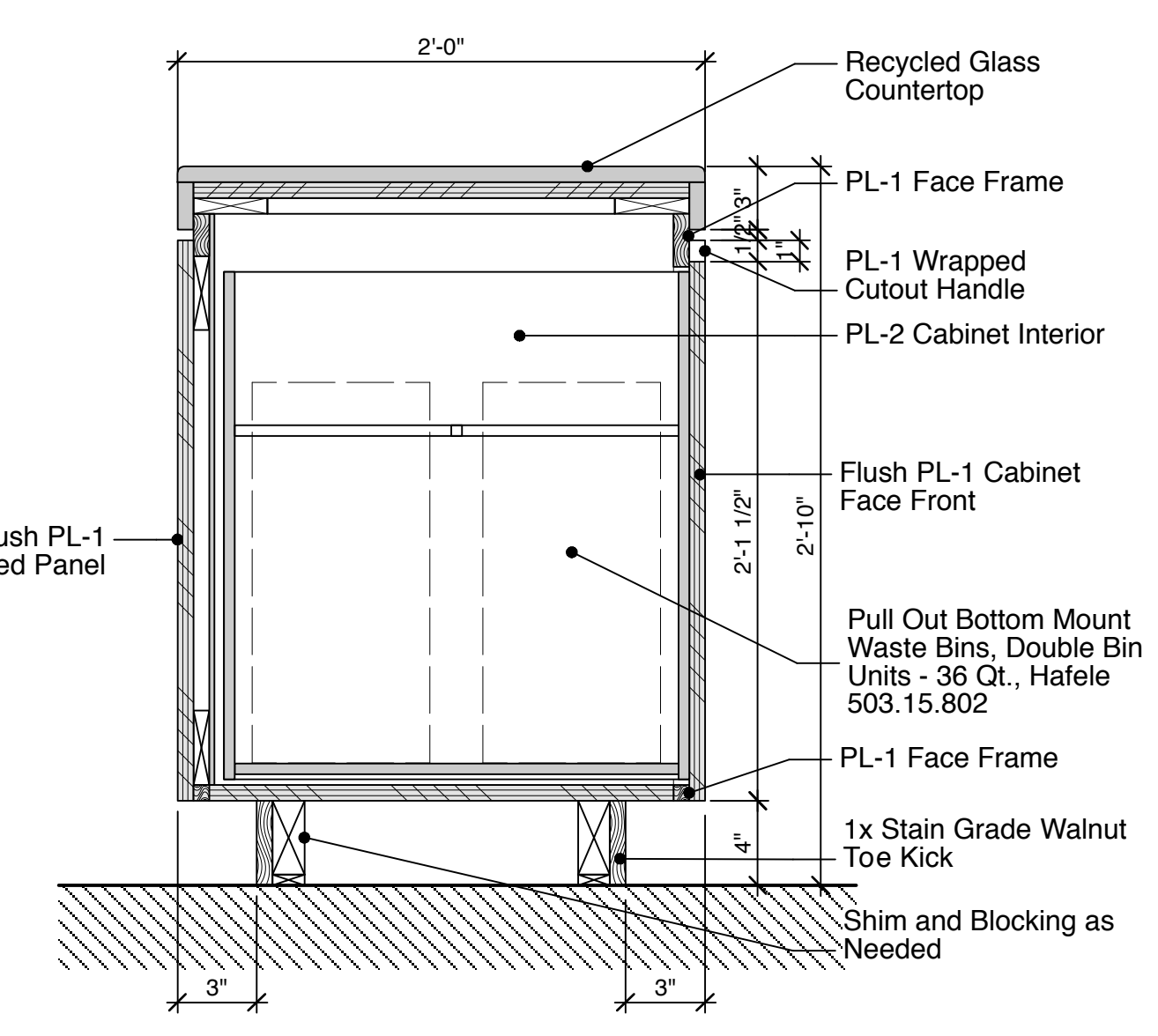
**11 Millwork Detail**  
 Scale: 1-1/2" = 1'-0"



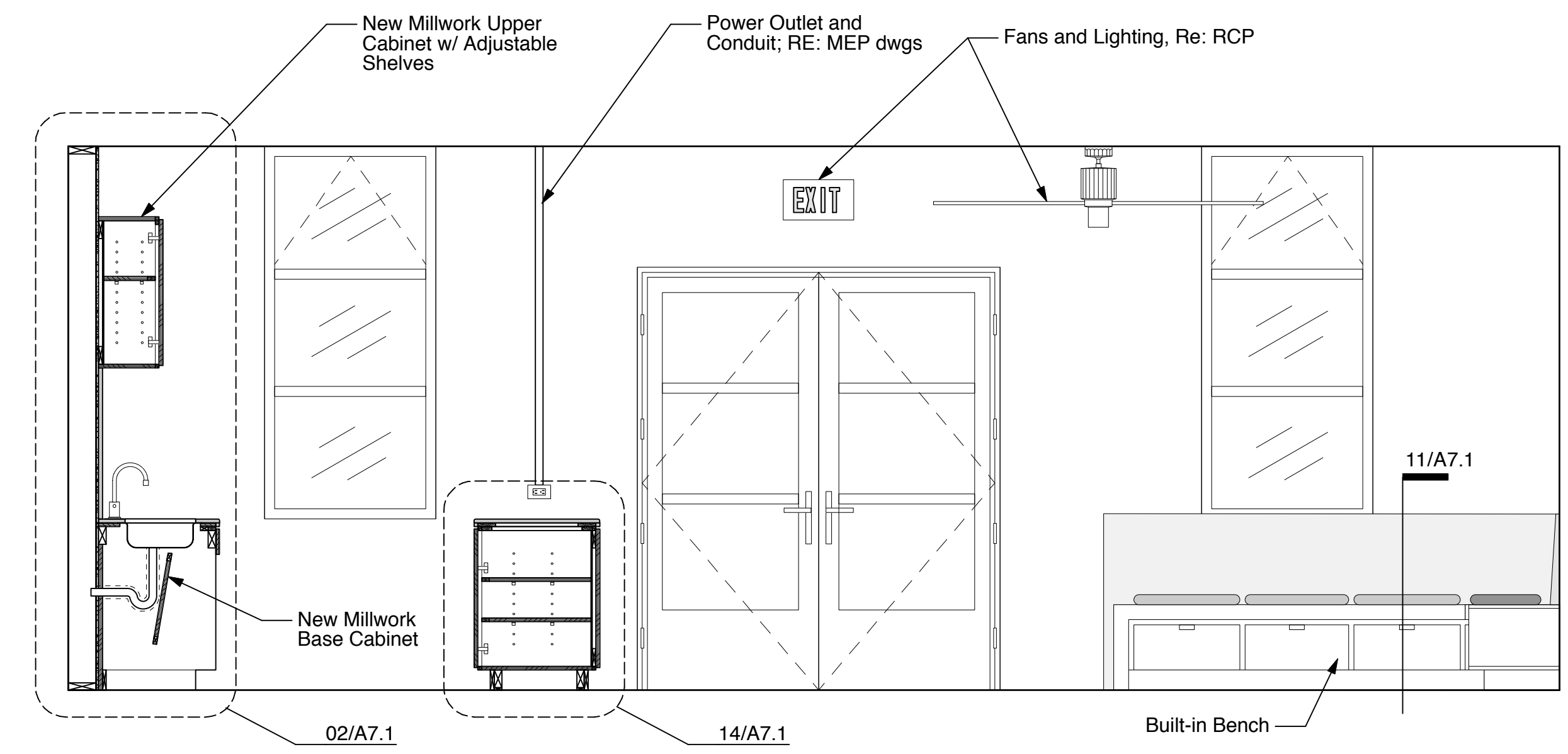
**03 Interior Elevation**  
 Scale: 1/2" = 1'-0"



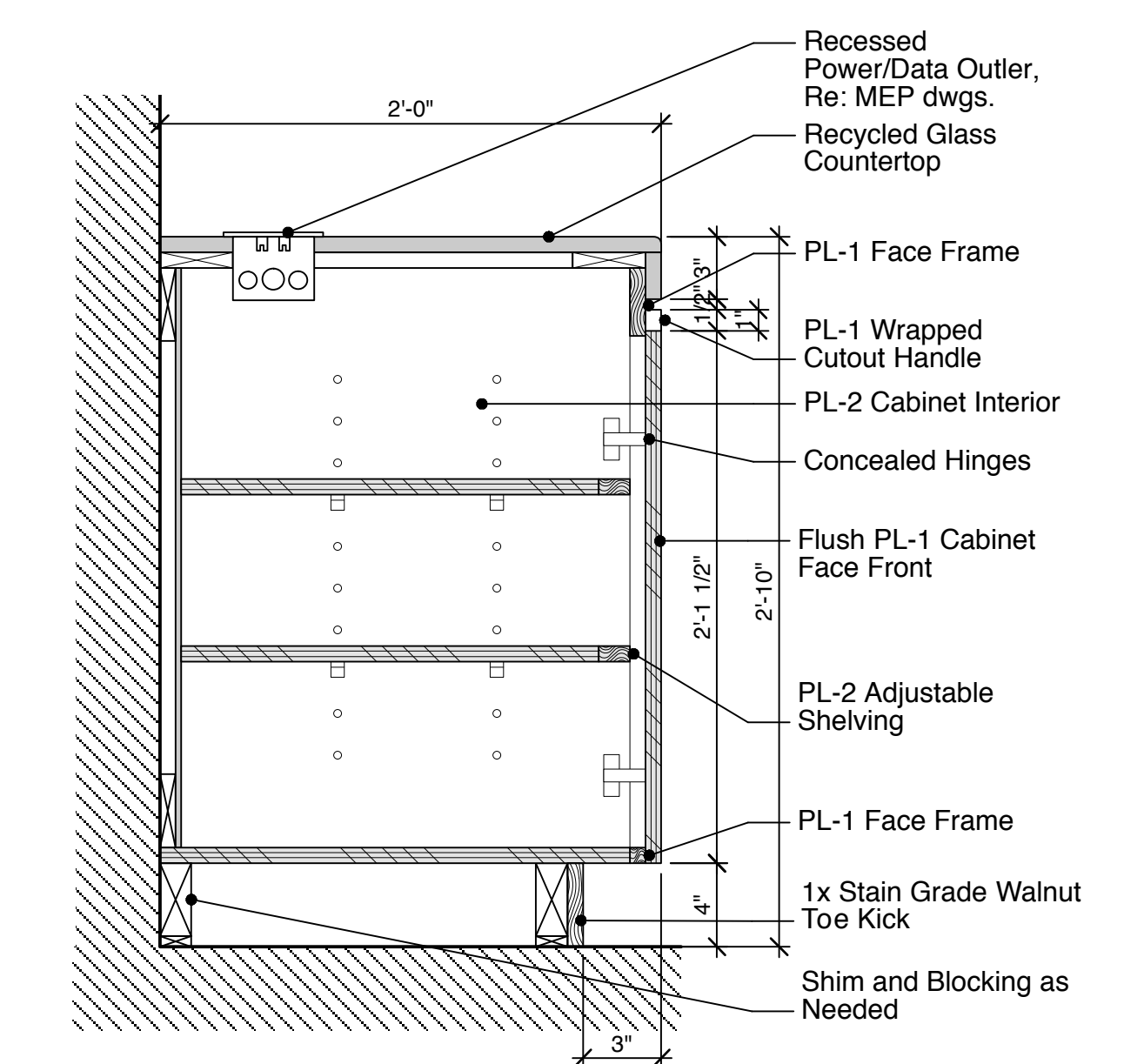
**14 Millwork Detail**  
 Scale: 1-1/2" = 1'-0"



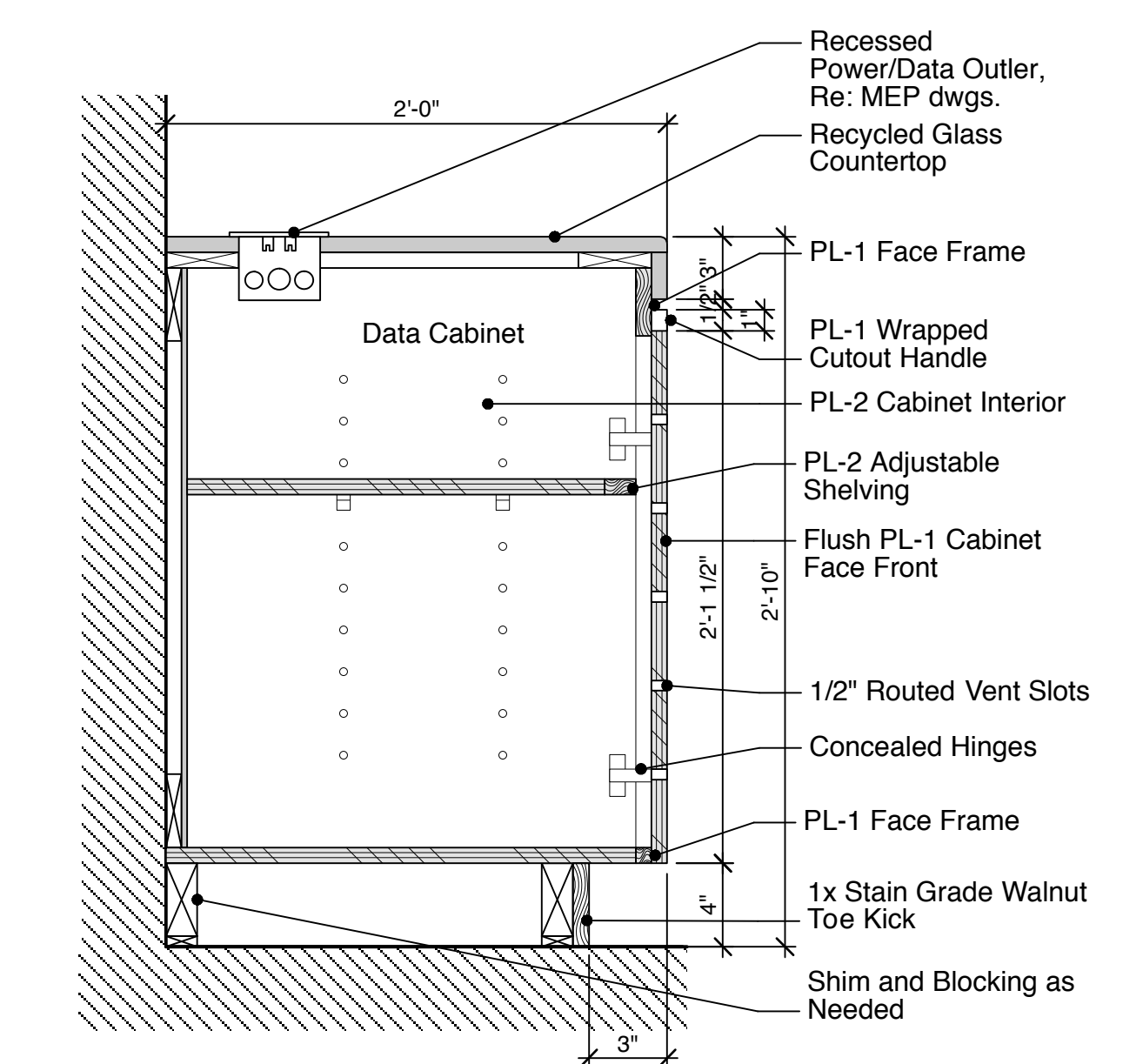
**10 Millwork Detail**  
 Scale: 1-1/2" = 1'-0"



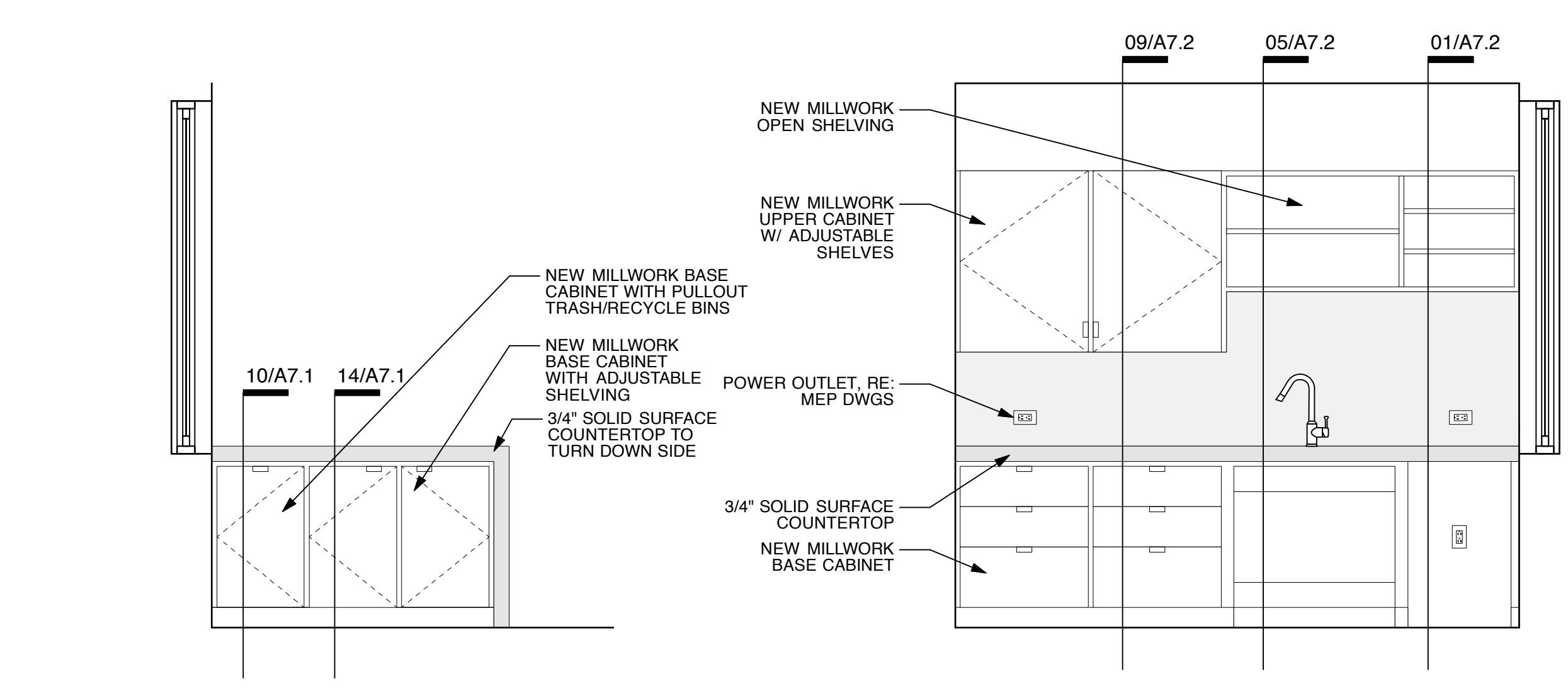
**02 Interior Elevation**  
 Scale: 1/2" = 1'-0"



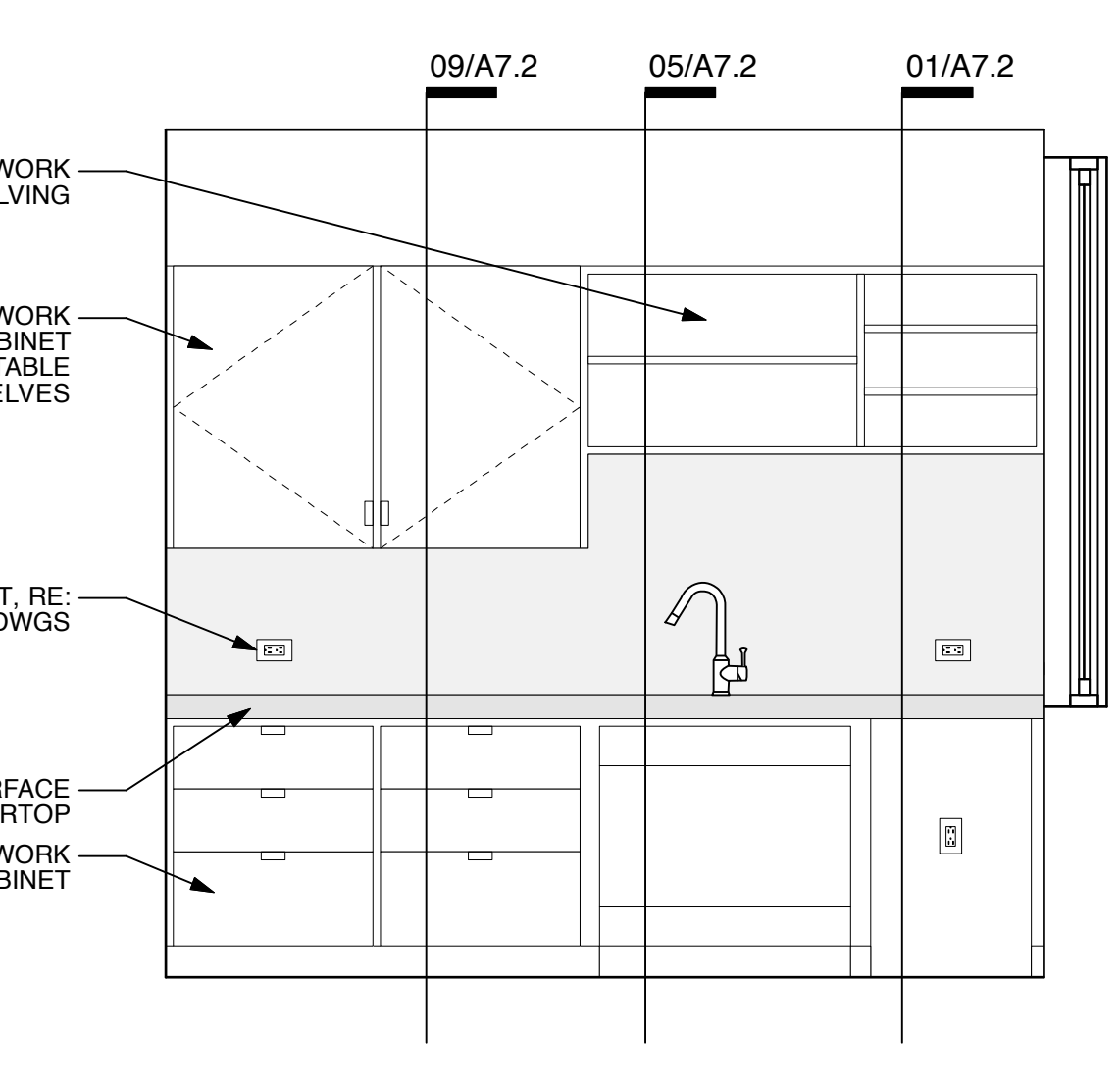
**13 Millwork Detail**  
 Scale: 1-1/2" = 1'-0"



**09 Millwork Detail**  
 Scale: 1-1/2" = 1'-0"



**05 Interior Elevation**  
 Scale: 1/2" = 1'-0"



**01 Interior Elevation**  
 Scale: 1/2" = 1'-0"