

515-964-1587

DENNY ELWELL COMPANY
Commercial Real Estate & Development

Office Condos For Lease



110 SE Grant, Ankeny, IA

- **Two 960 SF Offices available for lease**
- **\$860 Gross plus \$100 per month Association Fee for each unit**
- **Each Office has Reception Area and 3 Private Offices**
- **Prime location with Offices on street level**
- **Monument Sign**
- **Ample Parking**



Bill Gardner
515-240-2524

wggardner@dennyelwellcompany.com

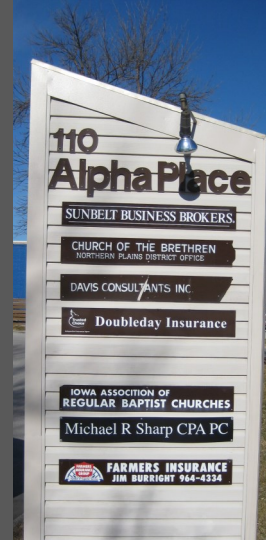
Denny Elwell Company
2401 SE Tones Drive
Suite 17
Ankeny, Iowa 50021
515-964-1587

dennyelwellcompany.com

515-964-1587

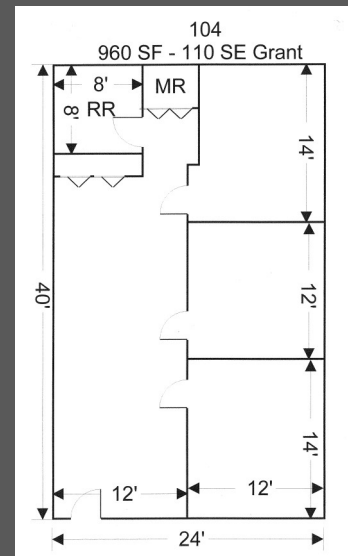
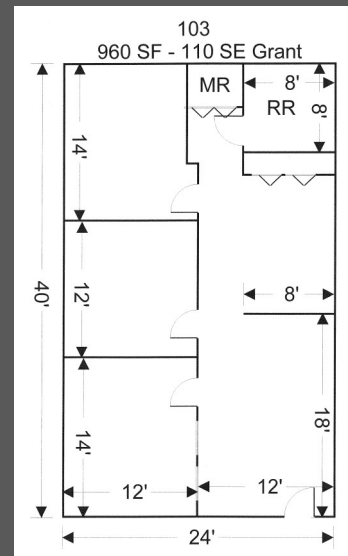


DENNY ELWELL COMPANY
Commercial Real Estate & Development



Darcy Gill
515-238-5793
dgill@dennyelwellcompany.com

Denny Elwell Company
2401 SE Tones Drive
Suite 17
Ankeny, Iowa 50021



dennyelwellcompany.com

The information contained herein is deemed reliable but not guaranteed by Denny Elwell Company
Licensed to sell real estate in the State of Iowa