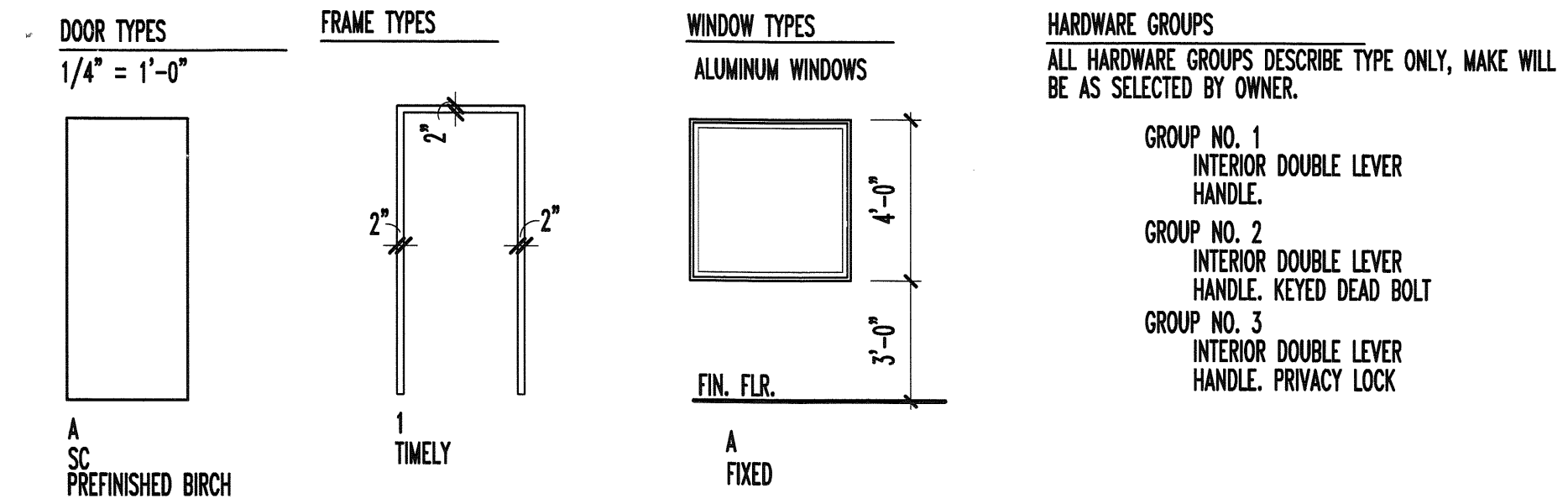


DOOR SCHEDULE

DETAILS REFER TO SHEET A-1

DOOR NO.	WIDTH	HEIGHT	DOOR TYPE	FRAME TYPE	DETAILS				HARD.SET	NOTES
					JAMB	JAMB	HEAD	SILL		
100	3'-0"	7'-0"	A	WD	1	TIMELY	1	1	-	3
101	3'-0"	7'-0"	A	WD	1	TIMELY	1	1	-	3
102	3'-0"	7'-0"	A	WD	1	TIMELY	1	1	-	2
103	3'-0"	7'-0"	A	WD	1	TIMELY	1	1	-	1
104	3'-0"	7'-0"	A	WD	1	TIMELY	1	1	-	1
105	6'-0"	7'-0"	AA	WD	1	TIMELY	1	1	-	1

G-TEMPERED GLASS AL-ALUMINUM SC-SOLID CORE HC-HOLLOW CORE WD-WOOD WI-WROUGHT IRON M-MIRROR ST-STEEL



WINDOW SCHEDULE

DETAILS REFER TO SHEET A-1

WINDOW NO.	WIDTH	HEIGHT	FRAME TYPE	GLASS	DETAILS	NOTES
100	4'-0"	4'-0"	A	C	3	
101	4'-0"	4'-0"	A	C	3	
102	4'-0"	4'-0"	A	C	3	
103	4'-0"	4'-0"	A	C	3	
104	4'-0"	4'-0"	A	C	3	
105	4'-0"	4'-0"	A	C	3	

I-INSULATED GLASS (1" CLEAR = 1/4" G, 5/8" AIR, 1/4" G) C-1/4" CLEAR GLASS T-TEMPERED O-OPAQUE GLASS GB - GLASS BLOCK

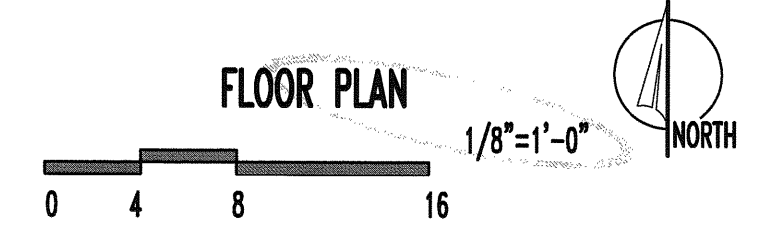
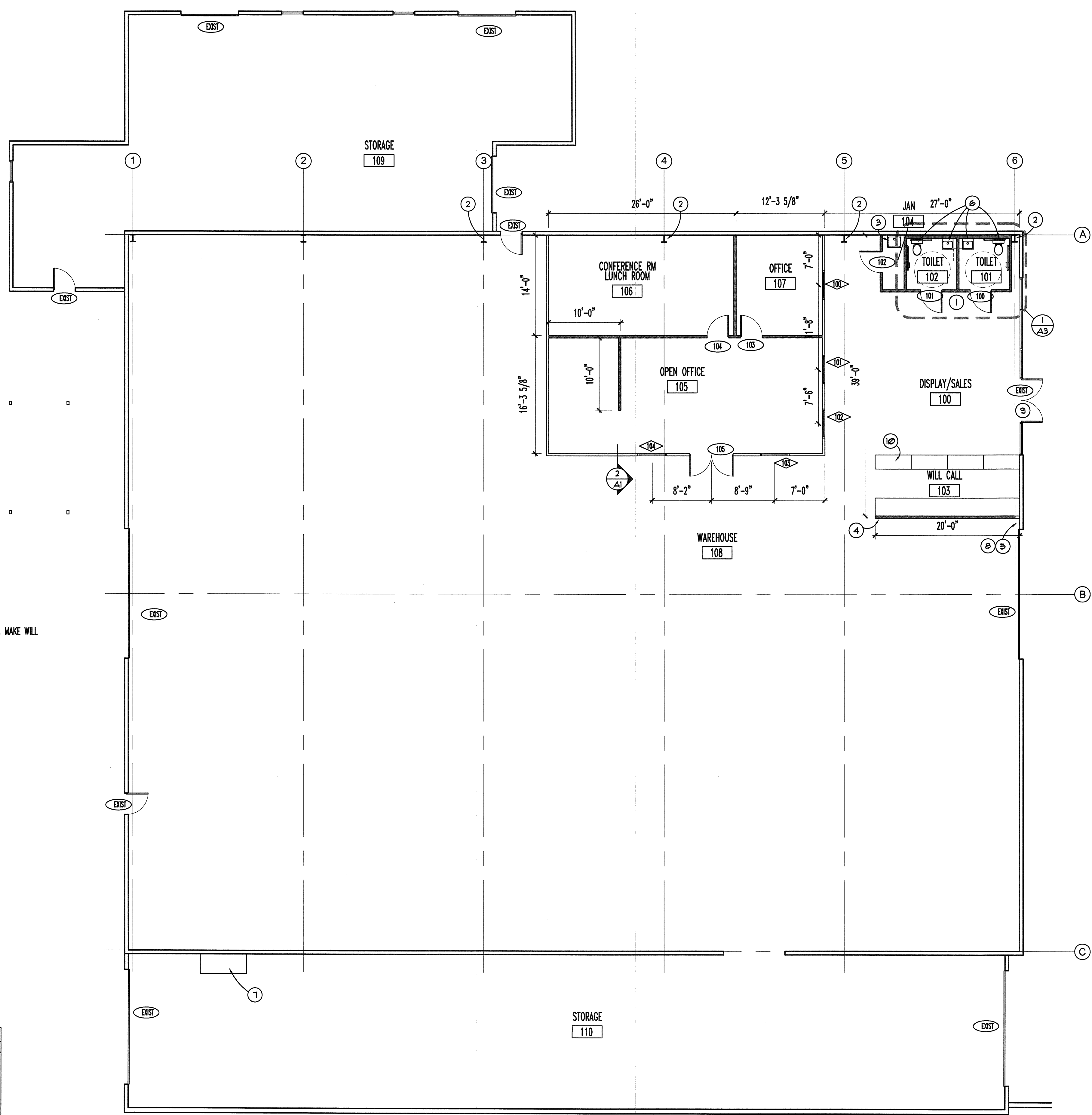
ROOM FINISH SCHEDULE

ROOM NO.	ROOM NAME	WALLS				FLOOR	BASE	CEILING	NOTES
		A	B	C	D				
100	OPEN OFFICE	PT-1	PT-1	PT-1	PT-1	C	V	T	
101	OFFICE	PT-1	PT-1	PT-1	PT-1	C	V	T	
102	STORAGE	PT-1	PT-1	PT-1	PT-1	C	V	T	
103	BREAK ROOM	PT-1	PT-1	PT-1	PT-1	CT	CT	T	
104	TOILET	CT	CT	CT	CT	CT	CT	G	
105	TOILET	CT	CT	CT	CT	CT	CT	G	
106	OFFICE	PT-1	PT-1	PT-1	PT-1	C	V	T	
107	WAREHOUSE								

WALL LEGEND
 PT-1 SHERWIN WILLIAMS PAINT OVER GYP BD
 CT 4X4 CERAMIC TILE UP TO 4'-0"

FLOOR/BASE LEGEND
 CT 12" CERAMIC TILE WITH COVERED 6" CERAMIC TILE BASE WITH 1/8" GROUT LINES
 C CARPET - GLUE DOWN
 V 4" VINYL BASE

CEILING LEGEND
 T 2X4 ARMSTRONG CEILING TILE AND GRID 'WHITE' (NON DIRECTIONAL).
 G GYP. BD. CEILING PAINTED
 SHERWIN WILLIAMS "PURE WHITE" SW1004 OVER GYP. BD.



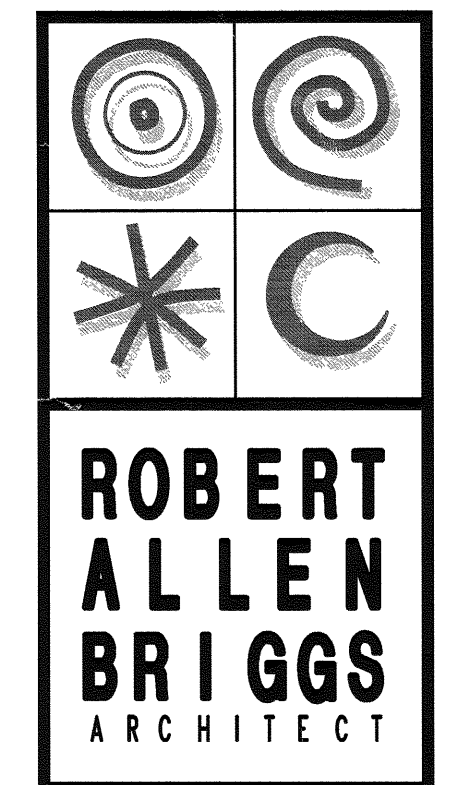
- KEY NOTES**
1. DEMO EXISTING BATHROOM
 2. EXISTING COLUMN
 3. MOP SINK, SEE PLUMBING
 4. TYPE 2A10BC FIRE EXTINGUISHER
 5. PANEL, SEE ELECTRICAL
 6. FIXTURE, SEE PLUMBING
 7. EXISTING SERVICE ENTRANCE SECTION
 8. TELEPHONE MOUNTING BOARD
 9. EXISTING DOOR HAS LOCKING HARDWARE. PLACE SIGN OVER DOOR STATING "THIS DOOR TO REMAIN UNLOCKED WHILE BUILDING IS OCCUPIED"
 10. +34" HIGH SERVICE COUNTER

- SYMBOL LEGEND**
- 1 KEYNOTES
 - 100 DOOR NO. - SEE SCHEDULE SHEET A-1
 - 100 WINDOW NO. - SEE SCHEDULE SHEET A-1
 - 1/46 EXTERIOR ELEVATION SYMBOL
 - 1/46 INTERIOR ELEVATION SYMBOL
 - 1/46 DETAIL SYMBOL

WALL TYPES

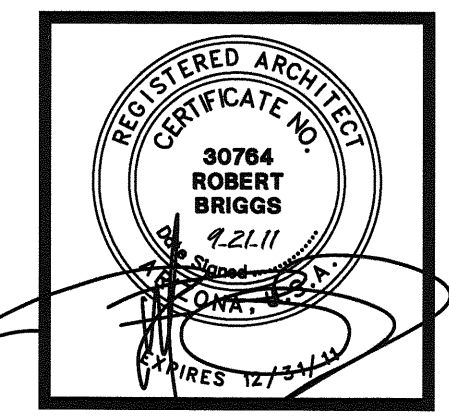
NEW 3 5/8" 20 GA. METAL STUD WALL AT 16" O.C. WITH 5/8" TYPE "X" GYP. BD EACH SIDE UNLESS NOTED OTHERWISE. ATTACH TOP TO GRID

NEW 6" 20 GA. METAL STUD WALL AT 16" O.C. WITH 5/8" TYPE "X" GYP. BD EACH SIDE PROVIDE R-19 BATT INSULATION, SEE 2/A1



916 WEST LYNWOOD STREET
 PHOENIX ARIZONA 85007
 PHONE 602-254-0151
 CELL 602-448-0264
 E-MAIL: bob@planetbo.com

**FIMCO INDUSTRIES
 TENANT IMPROVEMENT**
 8426 SOUTH KYRENE
 TEMPE, ARIZONA



JOB NUMBER: 1135
 DATE: 9-21-11
 CONTENTS: FLOOR PLAN

A-1