

INTERNATIONAL EXISTING BUILDING CODE 2015
 SECTION 505- ALTERATION LEVEL 5

INTERNATIONAL BUILDING CODE 2015
 SECTION 309 - GROUP B

SECTION 504 - EXISTING SINGLE STORY

TOTAL SQUARE FOOTAGE : 9,109 SQ. FT.

TABLE 601 - TYPE OF CONSTRUCTION = TYPE III B

SECTION 903.2.7 - SPRINKLER SYSTEM NOT
 REQUIRED FOR MERCANTILE, GROUP M

SECTION 906.1 - PORTABLE FIRE EXTINGUISHERS
 REQUIRED

TABLE 1004.1.2 - OCCUPANT LOAD IS 60 SQ. FT./
 PERSON FOR GROUP M.
 TENANT SPACE OCCUPANT LOAD = 24 PERSONS
 TOTAL OCCUPANT LOAD = 144 PERSONS

TABLE 1006.2.1 SINGLE EXIT ALLOWED FOR
 GROUP M UNDER 49 PEOPLE & 75' OF DISTANCE.

0 5' 10' 15'
 SCALE: 1/8" = 1'-0"

FLOOR PLAN
 SCALE: 1/8" = 1'-0"

PLAN N

FINISH NOTES:
 FLOORS = REMOVE EXISTING VCT GRIND SMOOTH & CLEAR COAT

BASE = 4" VINYL BASE

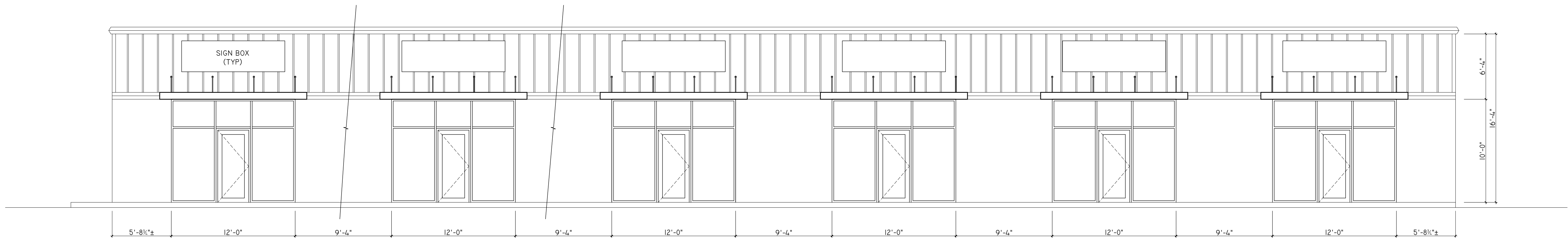
WALLS = GYPSUM BOARD PAINTED

CEILING = NO CEILING IN RETAIL SPACE - OPEN TO STRUCTURE ABOVE.
 TOILET & MOP SINK ROOMS TO HAVE LAY IN GYP BD.

GYP. BD. = CEILING @ 9'-0"

DOOR NOTES:
 INTERIOR DOORS TO BE 3'-0" X 6'-8", PROVIDE PRIVACY
 LOCK SETS ON TOILETS & UTILITY LOCKSET ON JANITOR CLOSETS.

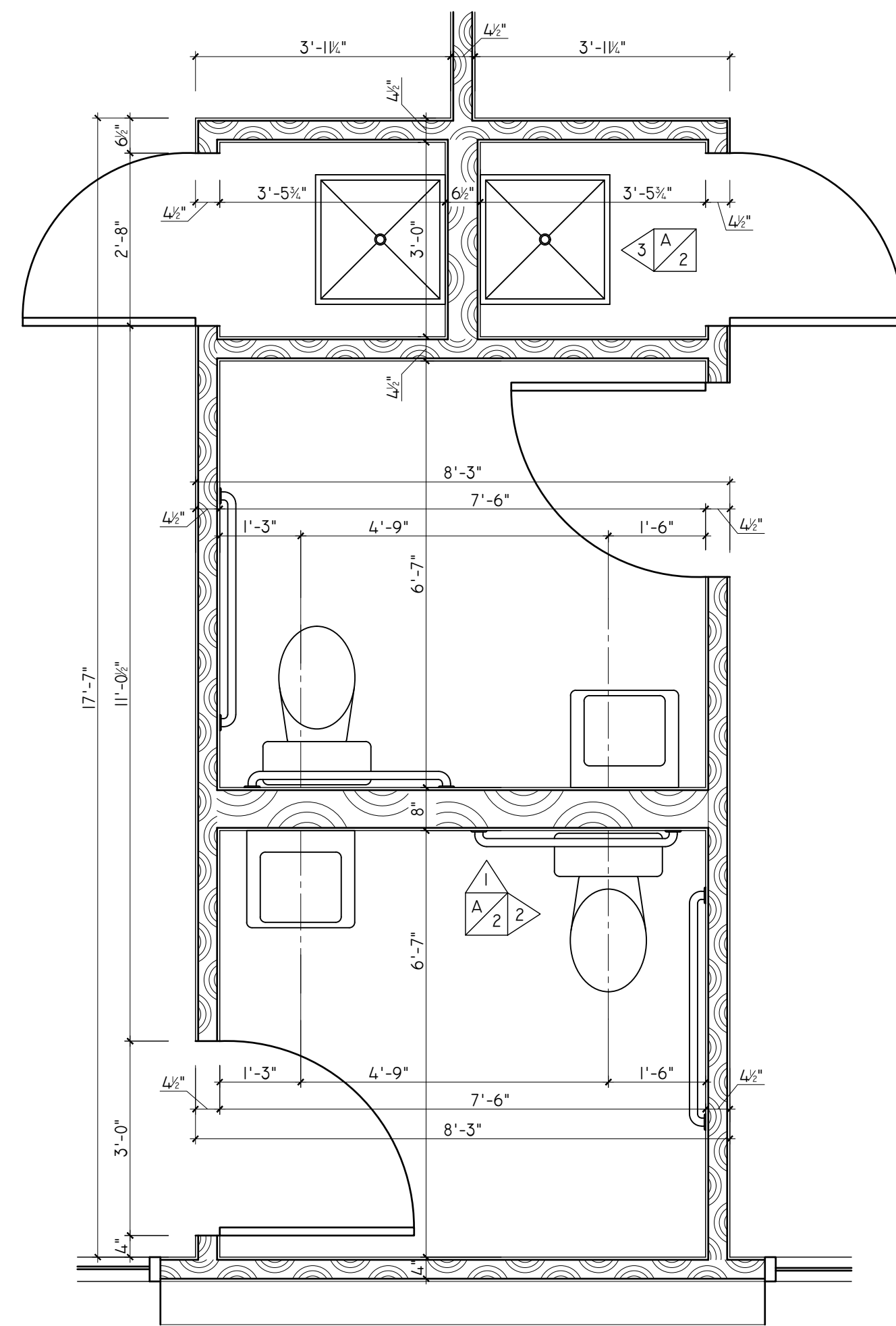
EXTERIOR DOORS TO BE 3'-0" X 7'-0"



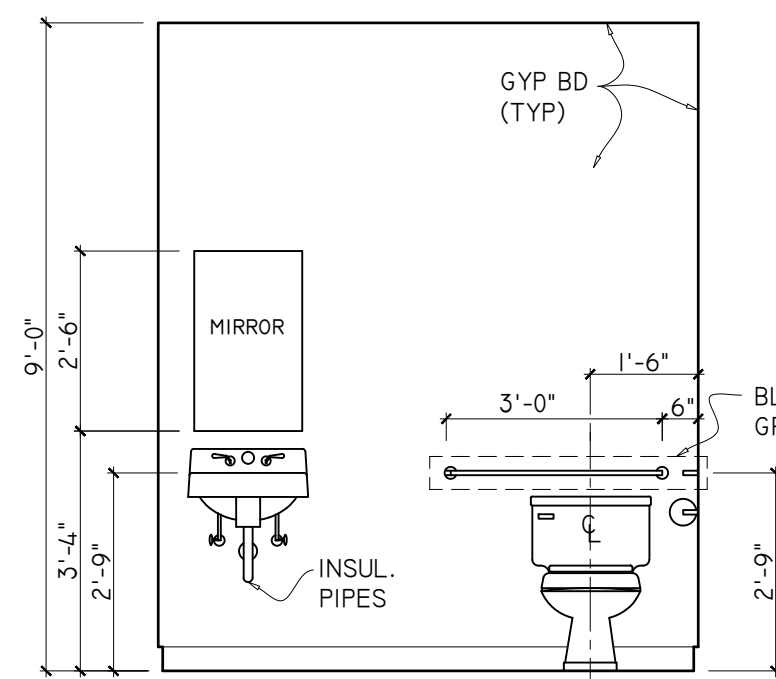
EXTERIOR NOTES: PAINT MASONRY & METAL SIDING

NOTE: REMOVE EXIST. CONSTRUCTION FOR NEW STORE FRONTS

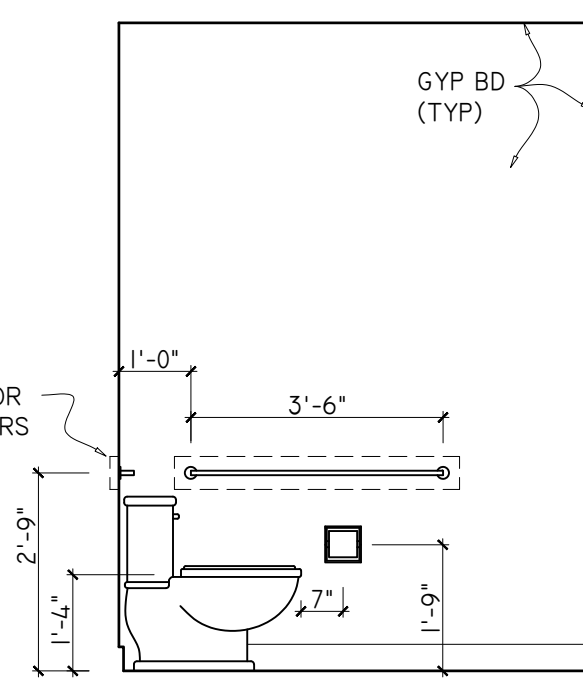
SOUTH ELEVATION
 SCALE: $\frac{3}{16}'' = 1'-0''$



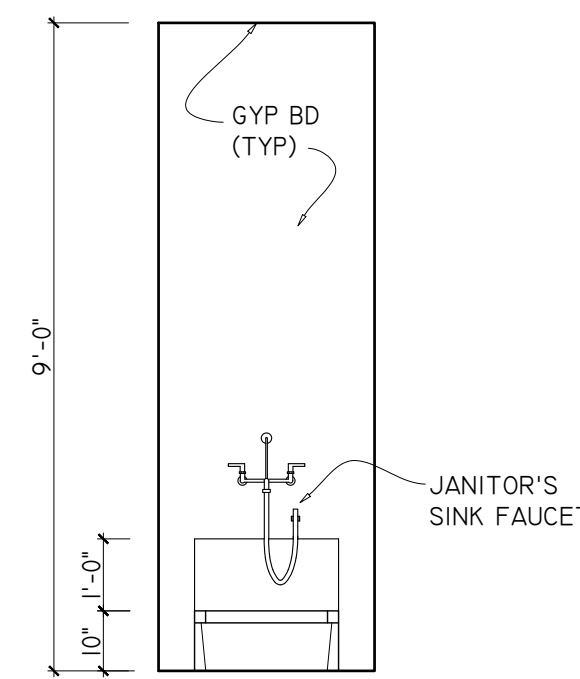
PARTIAL
FLOOR PLAN
 SCALE: $\frac{1}{2}'' = 1'-0''$



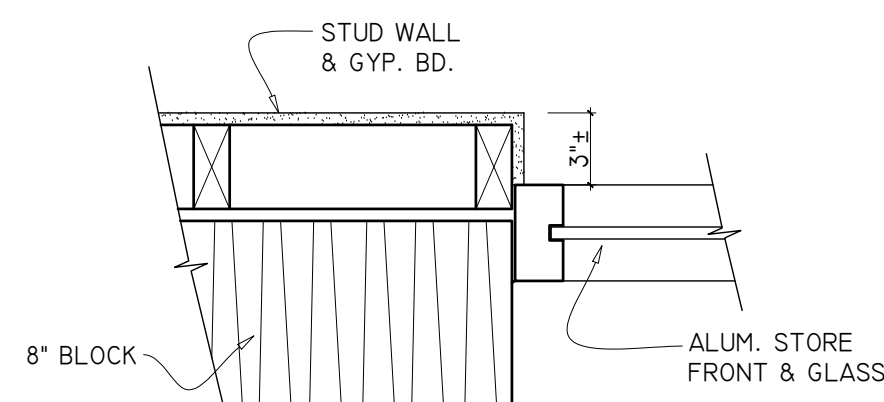
UNISEX TOILET
ELEVATION
 SCALE: $\frac{3}{8}'' = 1'-0''$



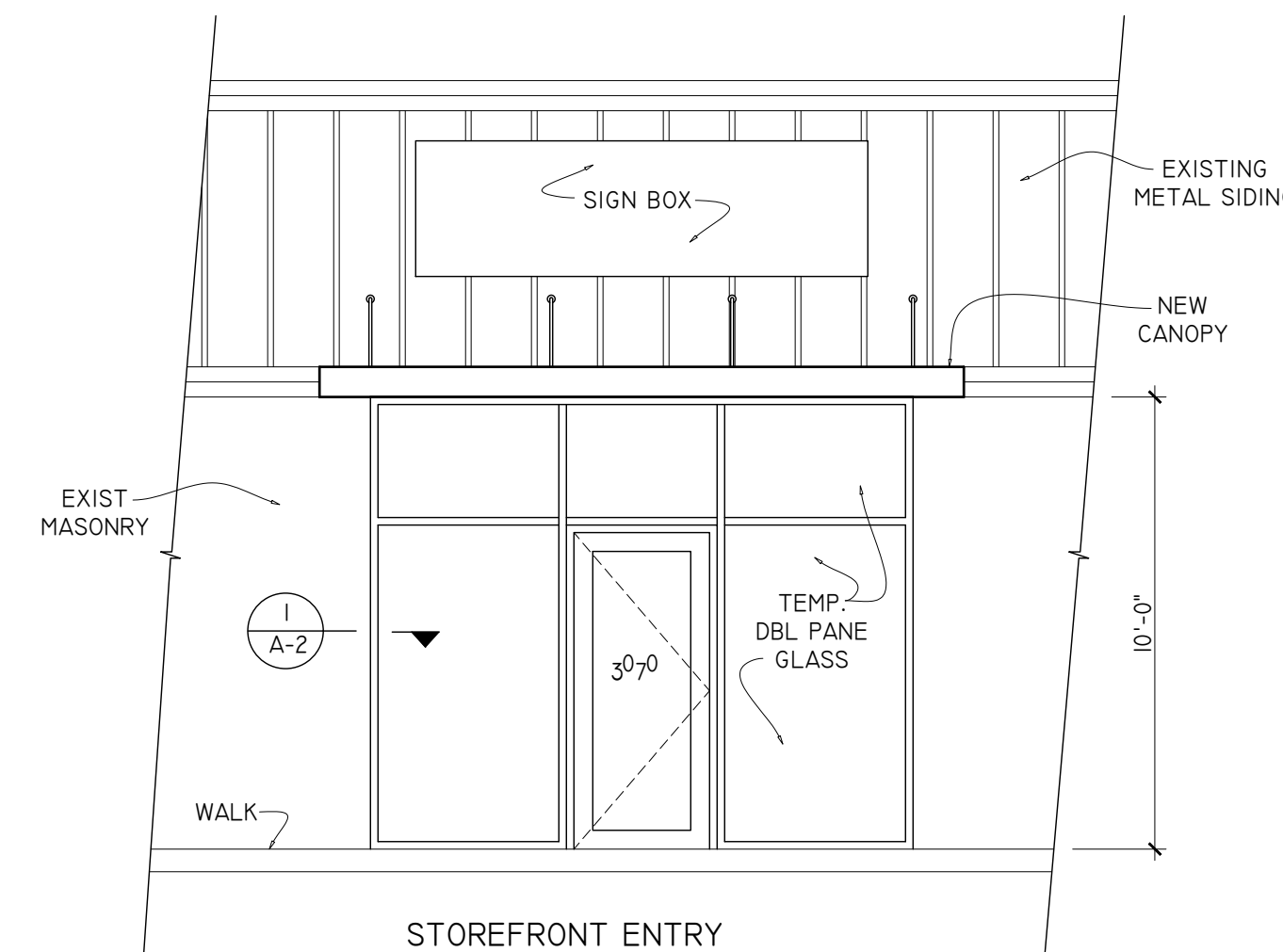
UNISEX TOILET
ELEVATION
 SCALE: $\frac{3}{8}'' = 1'-0''$



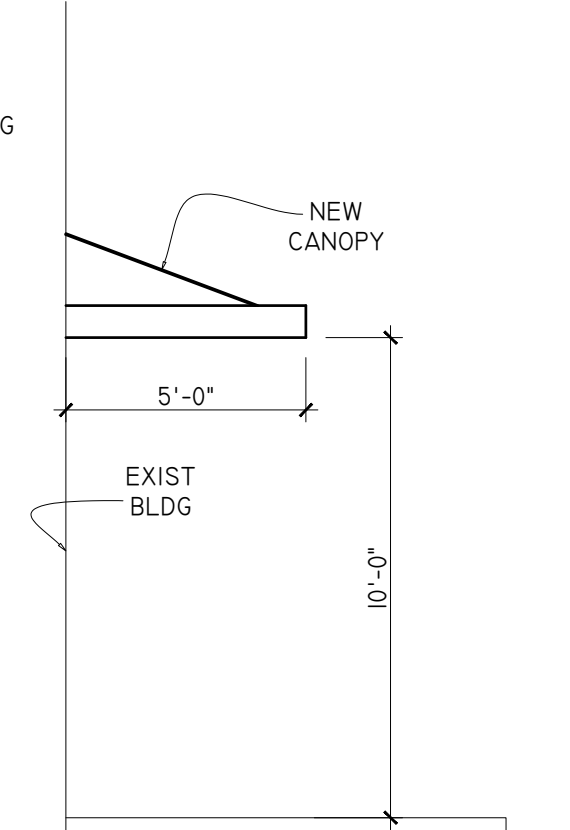
JANITOR CLOSET
ELEVATION
 SCALE: $\frac{3}{8}'' = 1'-0''$



JAMB
 SCALE: $\frac{1}{2}'' = 1'-0''$



STOREFRONT ENTRY
TYPICAL
 SCALE: $\frac{1}{4}'' = 1'-0''$



SIDE VIEW
 SCALE: $\frac{1}{4}'' = 1'-0''$

ROOF TOP PACKAGE DX SCHEDULE

SERVING	5 TON
SYSTEM BASIS OF DESIGN, MANUFACTURER	TRANE
MARK	RTU-1 - RTU-6
OUTSIDE AIR CFM	205
SEER	14.30
SUPPLY AIR CFM	2000
EXTERIOR STATIC PRESSURE IN. WG	.50
COOLING CAPACITY AT ARI, MBH	61.02
HEATING - HIGH HEAT, BTU	57.33
POWER CONNECTIONS (SINGLE POINT)	
MCA	47.0
MAX OCP	60.0
VOLT / PHASE	208/3/60
MODEL	WSC060H
AUXILIARY HEAT	
KW	4.5
VOLT / PHASE	208/3/60
OPTIONS:	1,2,3,4,5
WEIGHT: (NET) (LBS)	682.0

- PROVIDE LOW AMBIENT CONTROLS FOR OPERATION DOWN TO 30 DEGREES F.
- PROVIDE THERMAL EXPANSION VALVE
- PROVIDE 7 DAY PROGRAMMABLE THERMOSTAT WITH NIGHT SET-BACK CAPABILITIES.
- PROVIDE POWERED CONVENIENCE OUTLET.
- PROVIDE FILTER RACK IN UNIT.
- PROVIDE HOT GAS REHEAT AND HUMIDITY CONTROL.

NOTES:
INSTALL UNITS PER MANUFACTURERS SPECIFICATIONS

MECHANICAL NOTES

- DUCT SIZES ARE BASED ON FREE AREA OPENING. SUPPLY DUCTS LOCATED IN INTERIOR UNCONDITIONED SPACES SHALL HAVE AN INSULATION RATING OF NO LESS THAN R-6. SUPPLY AND RETURN DUCTS LOCATED IN EXTERIOR AREAS SHALL HAVE AN INSULATION RATING OF NO LESS THAN R-8. EXTERIOR INSULATION (IF USED) SHALL INCLUDE A VAPOR BARRIER. THE CONTRACTOR WILL ADJUST ACCORDINGLY TO COMPENSATE FOR DUCT LINER (IF USED). ROUND AND RECTANGULAR EQUIVALENT DIMENSIONS ARE ALLOWABLE.
- THE CONTRACTOR SHALL SELECT DIFFUSERS WITH A NOISE CRITERIA RATING OF NO GREATER THAN NC 40 BASED ON THE SPECIFIED FLOWRATES. DIFFUSERS SHALL CONSIDER THROW AND DROP PERFORMANCE TO PROVIDE APPROPRIATE COVERAGE TO THE CONDITIONED AREAS. ALL DIFFUSERS SHALL PROVIDE FOR ADJUSTABLE FLOWRATE. CONTRACTOR SHALL BE RESPONSIBLE FOR BALANCING TO DESIGN FLOWRATES.
- MECHANICAL CONTRACTOR TO COORDINATE EXACT LOCATION OF DIFFUSERS AND REGISTERS WITH GRID AND LIGHTS.
- MECHANICAL CONTRACTOR TO TIE SUPPLY AND RETURN DIFFUSERS AND GRILLES TO CEILING GRID OR STRUCTURE.
- REFERENCE TO SPECIFIC MANUFACTURERS ARE USED IN TO ESTABLISH MINIMUM PERFORMANCE REQUIREMENTS AND QUALITY. OTHER MANUFACTURER'S WITH EQUAL OR BETTER QUALITY EQUIPMENT ARE ALLOWED TO SUBSTITUTE THEIR PRODUCTS. EQUAL MANUFACTURER'S WILL BE CONSIDERED AT DISCRETION OF ENGINEER.
- ALL TAKE-OFFS SHALL INCLUDE MANUAL DAMPERS, BALANCE TO DESIGN FLOWRATES BY MECHANICAL CONTRACTOR.
- DUCTS PENETRATING WALLS OR PARTITIONS HAVING A FIRE RESISTANCE RATING OF 1 BUT LESS THAN 3 HOURS SHALL INCLUDE FIRE DAMPERS AT THE PENETRATION. DAMPERS SHALL HAVE A FIRE RESISTANCE RATING NO LESS THAN 1.5 HR. USE OF STATIC RATED DAMPERS IS ACCEPTABLE SINCE SYSTEM IS DESIGNED FOR AUTOMATIC SHUTDOWN IN CASE OF FIRE/SMOKE. MECHANICAL CONTRACTOR RESPONSIBLE FOR VERIFYING ALL FIRE WALLS.
- MECHANICAL CONTRACTOR TO VERIFY EXACT LOCATION OF T'STATS WITH OWNER.
- ROUTE CONDENSATE DRAINS TO SPILL ONTO ROOF.
- ALL DUCTWORK IN EXPOSED AREAS TO BE SINGLE WALL SPIRAL.
- CONTRACTOR TO APPLY PAINT GRIP FINISH TO ALL EXPOSED DUCTWORK THAT WILL READILY ACCEPT A FIELD PAINTED FINISH. THIS INCLUDES ALL HANGARS, DRIVES, AND ACCESSORIES. COORDINATE WITH OWNER.

RECTANGULAR DUCT SYSTEM GAGES

RECTANGULAR DUCTWORK, 1/2-IN. WG STATIC PRESSURE POSITIVE OR NEGATIVE, UP TO 2,000 FPM, BASED ON PROPER REINFORCEMENT SPACED AT 10-FT INTERVALS.

LARGEST DIMENSION, INCHES	GALVANIZED STEEL GAGE	ALUMINUM, " B&S GAGE	COPPER, " B&S GAGE
THROUGH 26	26	24	24
27-30	24	22	20
31-36	22	20	18
37-48	20	18	18
49-60	18	16	14
73-84	16	14	12
85-96	16	BUT 8-FT REINFORCEMENT SPACING REQUIRED	
OVER 96	18	BUT 5-FT CLASS-H SPACING	

RECTANGULAR DUCTWORK, 1-IN. WG STATIC PRESSURE POSITIVE OR NEGATIVE, UP TO 2,500 FPM, BASED ON PROPER REINFORCEMENT SPACED AT 10-FT INTERVALS.

LARGEST DIMENSION, INCHES	GALVANIZED STEEL GAGE	ALUMINUM, " B&S GAGE	COPPER, " B&S GAGE
THROUGH 14	26	24	24
15-24	24	22	20
25-30	22	20	18
31-36	20	18	18
37-42	18	16	14
43-54	16	14	12
55-60	18	BUT 8-FT REINFORCEMENT SPACING REQUIRED	
61-84	18	BUT 5-FT CLASS-H SPACING	
85-96	16	BUT 8-FT REINFORCEMENT SPACING REQUIRED	
OVER 96	18	BUT 5-FT CLASS-H SPACING	

RECTANGULAR DUCTWORK, 2-IN. WG STATIC PRESSURE POSITIVE OR NEGATIVE, UP TO 2,500 FPM

LARGEST DIMENSION, INCHES	GALVANIZED STEEL GAGE	REINFORCEMENT SPACING INTERVALS, FT.
THROUGH 18	22	10
19-26	20	10
27-30	18	10
31-36	16	10
37-48	16	8
49-60	16	5
61-72	16	5
73-84	18	4, CLASS J
85-96	16	4, CLASS K
OVER 96	18	2 1/2, CLASS H

ROOF CAP SCHEDULE

MARK	EC-1 - EC-3
SERVICE	EXHAUST
CONSTRUCTION	ALUMINUM
THROAT AREA (SQUARE FEET)	.394
FACE AREA (SQUARE FEET)	1.38
AIRFLOW (CFM)	300
STATIC PRESSURE DROP (IN WC)	0.1
MANUFACTURER	COOK
MODEL	PR-8
ACCESSORIES	2, 3, 4

- ACCESSORIES:
1. INSECT SCREEN
2. BIRD SCREEN
3. PREFABRICATED ROOF CURB FOR SLOPING ROOF.
4. FACTORY APPLIED EPOXY FINISH, COLOR SELECTED BY ARCHITECT.

FAN SCHEDULE

MARK	EF-1 - EF-6
TYPE	CEILING
DRIVE	DIRECT
MOTOR HP / W	31.0 W
AIRFLOW (CFM)	75
STATIC PRESSURE (IN WC)	.25
ELECTRICAL (VOLTS/PH/Hz)	120/1/60
MANUFACTURER	COOK
MODEL	GC-146
ACCESSORIES	DISCONNECT, BACK-DRAFT DAMPER.
CONTROL	SWITCH W/LIGHTS

- NOTES:
1. BIRDSCREEN
2. PREFABRICATED ROOF CURB FOR SLOPING SHINGLED ROOF.
3. FACTORY APPLIED EPOXY FINISH, COLOR SELECTED BY ARCHITECT.
4. DISCHARGE THRU LOUVER.

MECHANICAL LEGEND

- AVE - ADJUSTABLE VOLUME EXTRACTOR
⊙ - THERMOSTAT

ROUND DUCT SYSTEM GAGES

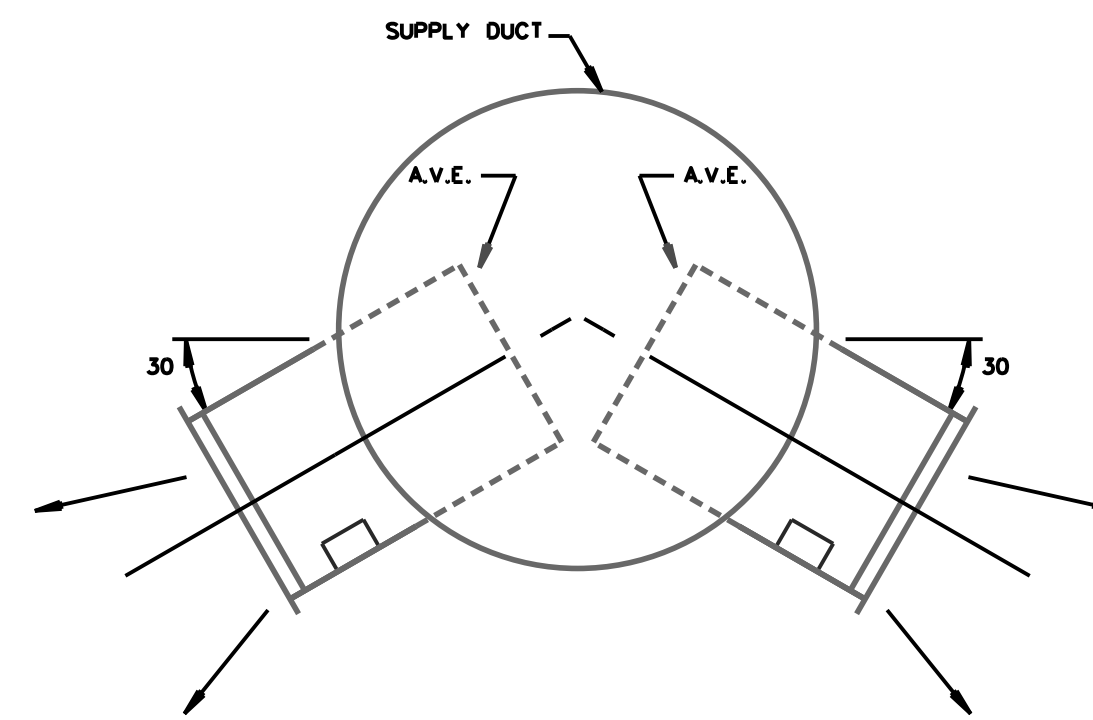
ROUND DUCTWORK, GALVANIZED STEEL, GAGE SELECTION

DUCT DIAMETER, IN.	MAXIMUM 2-IN. WG STATIC POSITIVE		MAXIMUM 10-IN. WG STATIC POSITIVE		MAXIMUM 2-IN. WG STATIC POSITIVE	
	SPACING	SPACING	SPACING	SPACING	SPACING	SPACING
3-8	28	28	26	24	28	24
9-14	28	26	26	24	26	24
15-26	26	24	24	22	24	22
27-36	24	22	22	20	22	20
37-50	22	20	20	20	20	18
51-60	20	18	18	18	18	16
61-84	18	16	16	16	16	14

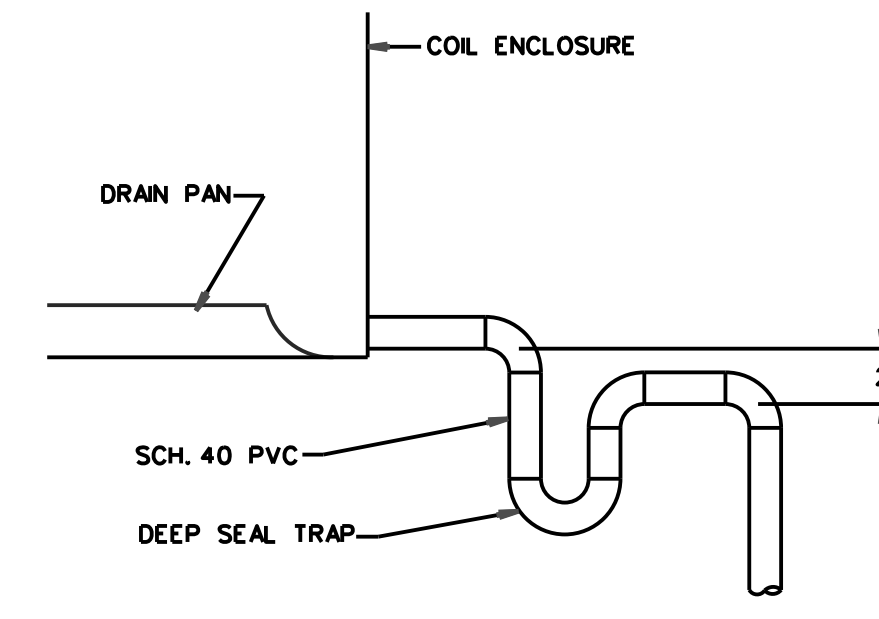
REGISTER, GRILLE & DIFFUSER SCHEDULE

SYM	TYPE	MANUFACTURER	MODEL	REMARKS
SR	SUPPLY REGISTER	TITUS	272FS	BAKED WHITE W/VOLUME DAMPER
RG	RETURN GRILLE	TITUS	50F	BAKED WHITE FINISH

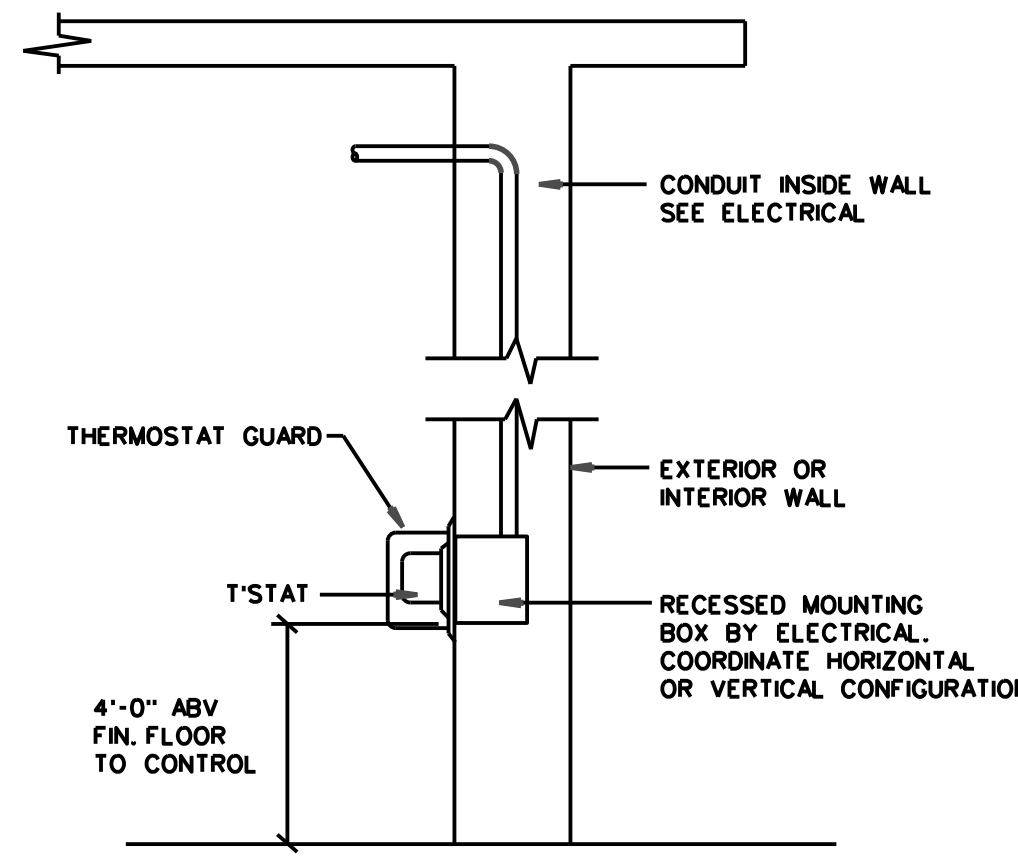
- NOTES:
1. REGISTERS, GRILLES, & DIFFUSERS HAVE BEEN SPECIFIED AS TITUS TO ESTABLISH QUALITY. EQUAL PRODUCTS BY ANEMOSTAT OR METALARE WILL BE CONSIDERED.
2. BAKED WHITE FINISH IS A BASELINE. COORDINATE WITH ARCHITECT AND OWNER PRIOR TO ORDERING.



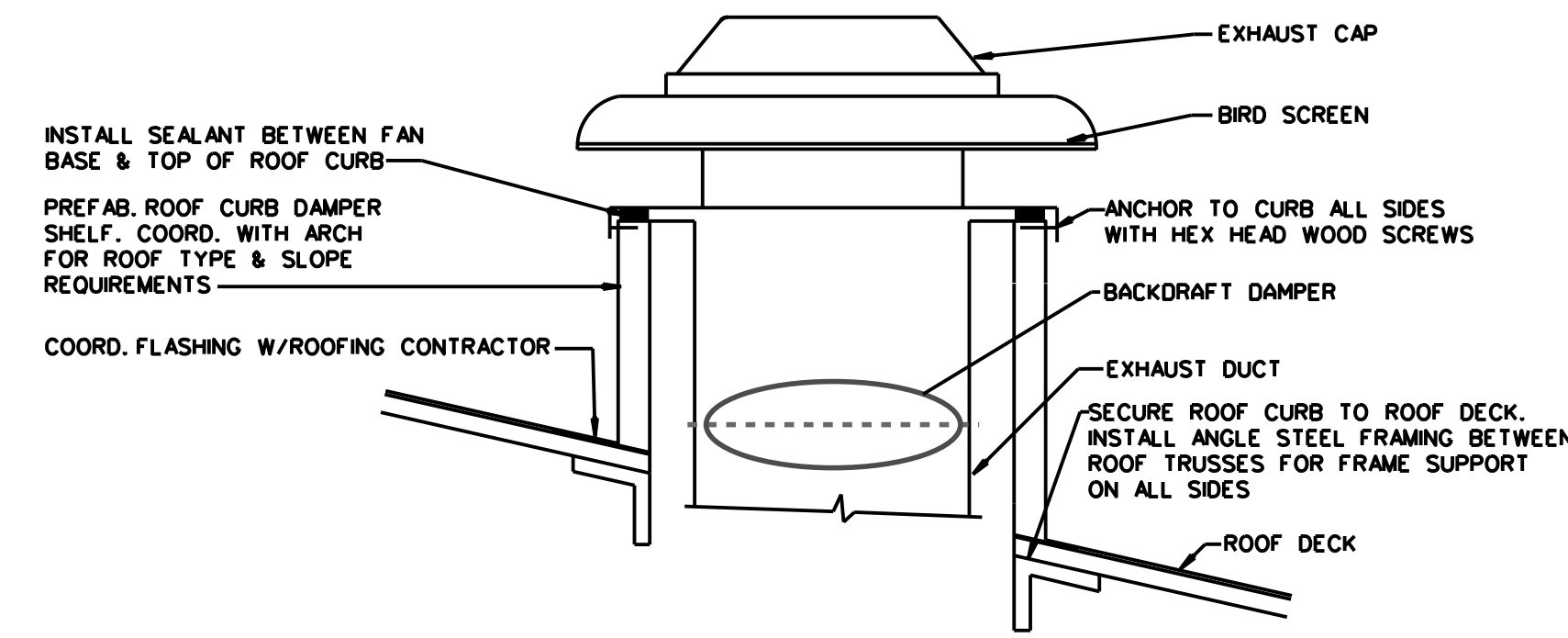
DUCT SECTION DETAIL
NOT TO SCALE



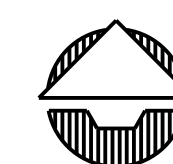
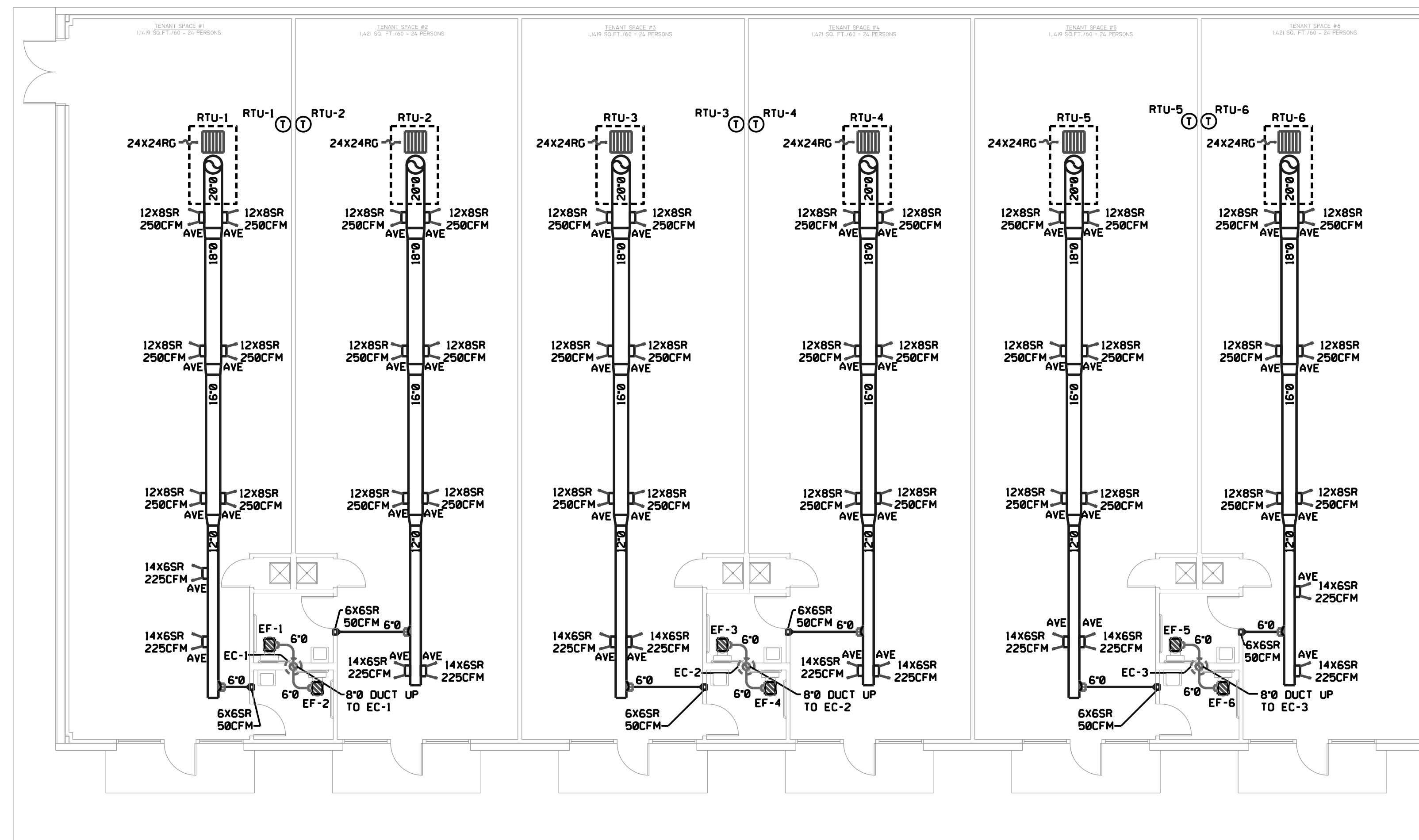
TYPICAL CONDENSATE CONNECTION & TRAP
NOT TO SCALE



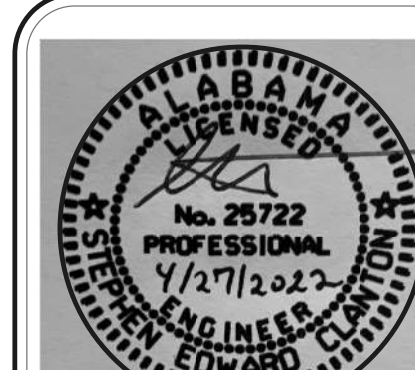
T'STAT MOUNTING DETAIL
NOT TO SCALE



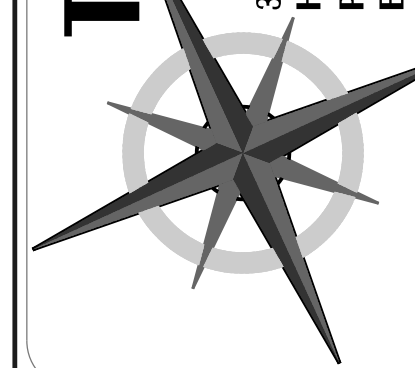
EXHAUST CAP DETAIL
NOT TO SCALE



NEW CONSTRUCTION
MECHANICAL FLOOR PLAN
SCALE: 1/8" = 1'-0"



TOTAL DESIGN ENGINEERING
3408 6th AVENUE SW
HUNTSVILLE, ALABAMA 35805
PHONE: 256-539-8585 FAX: 256-539-8508
EMAIL: RSTEADMA@TOTALDESIGNENGINEERING.COM



RENOVATIONS & ALTERATIONS FOR:
NEW TENANT SPACES 16493 US HWY 72
ROGERSVILLE, ALABAMA
MECHANICAL FLOOR PLAN

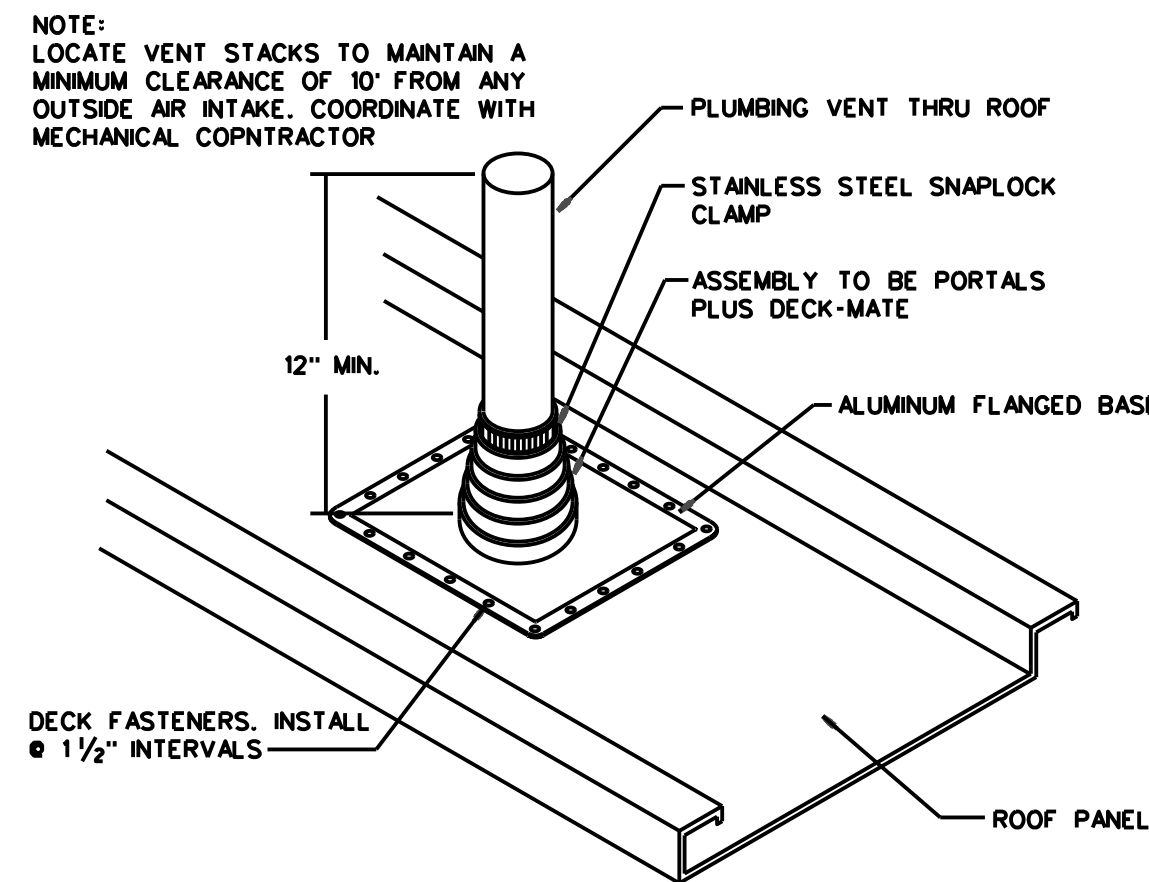
DRAWN: RTK
CHECKED: RJS/SEC
DATE: 04/27/2022

SHEET NO: **M-1**
JOB NO: TSK-22-074

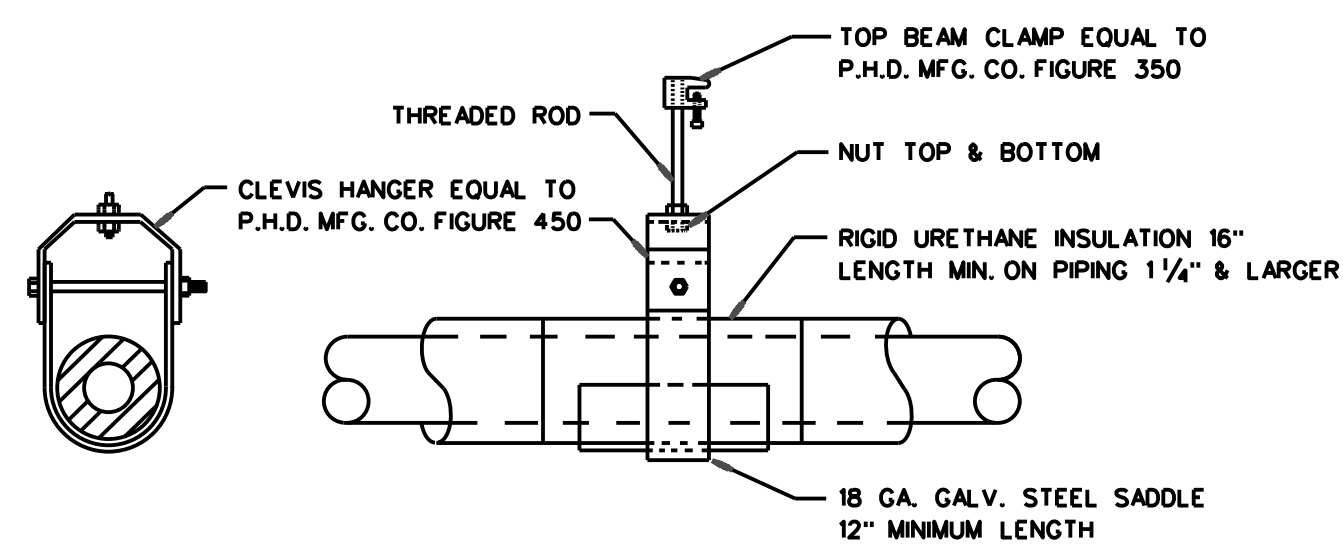
REVISIONS:
1. THE DRAWING(S) CONTAINS ELECTRONIC MEDIA IS OWNED AND CONTROLLED BY TOTAL DESIGN ENGINEERING. THIS DRAWING IS NOT TO BE REPRODUCED OR TRANSMITTED IN ANY FORM OR BY ANY MEANS, ELECTRONIC OR MECHANICAL, INCLUDING PHOTOCOPYING, RECORDING, OR BY ANY INFORMATION STORAGE AND RETRIEVAL SYSTEM, WITHOUT THE WRITTEN PERMISSION OF TOTAL DESIGN ENGINEERING.

PLUMBING FIXTURE SCHEDULE

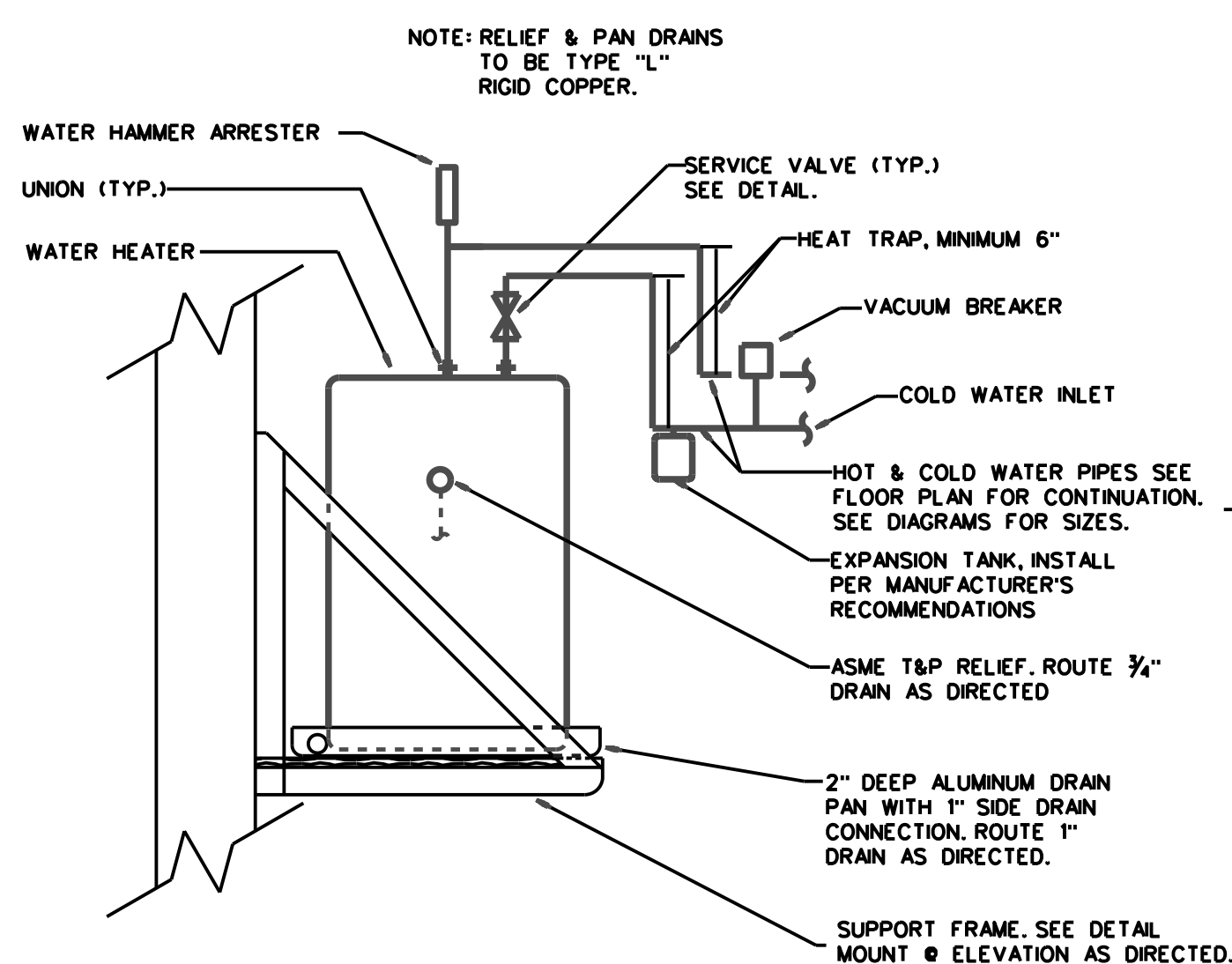
FIXTURE NUMBER	DESCRIPTION	PIPE SIZE		
		WASTE	C.W.	H.W.
P-X	WATER CLOSET (ADA): KOHLER NO. K-3493-SS FLOOR MOUNTED TANK TYPE WITH ELONGATED SIPHON ACTION BOWL, WHITE SOLID PLASTIC OPEN FRONT SEAT WITH SELF-SUSTAINING CHECK HINGE, CHINA BOLT CAPS, MCGUIRE 2166LK SUPPLY AND STOP.	4"	1/2"	-
P-X	LAVATORY (ADA): KOHLER NO. K-2084-0, WHITE VITREOUS CHINA, WALL HUNG, 20" X 18", "B" MODIFICATION ANCHOR LUGS, WITH INCLUDED KOHLER CARRIER, KOHLER NO. K-97283-4-CP SINGLE LEVER MIXING FAUCET WITH GRID DRAIN, 17 GAUGE STAINLESS STEEL TRAP, MCGUIRE 2166LK SUPPLIES WITH STOPS, INSULATE THE WATER AND WASTE PIPES BELOW THE LAVATORY WITH TRUEBRO LAV GUARD SERIES MOLDED VINYL COVERING, WHITE FINISH WITH SNAP CLIP REUSABLE FASTENERS.	2"	1/2"	1/2"
P-X	MOP SINK: FIAT MODEL TSB-100, 24" X 24" X 12" DEEP PRE-CAST TERRAZZO SINK WITH STAINLESS STEEL BEMPER GUARDS ALL SIDES, 3" DEEP SEAL TRAP, MODEL 1453-BB STAINLESS STEEL STRAINER, MODEL M5G-2424 STAINLESS STEEL WALL GUARD, SPEARMAN NO. 5-SB1 MIXING FAUCET WITH WALL SUPPORT, VACUUM BREAKER, SCREWDRIVER STOPS AND THREADED HOSE OUTLET, INSTALL WITH MODEL 889-CC THREE MOP HANGER & MODEL 832-AA 30' LONG FLEXIBLE HOSE WITH HOSE MOUNTING BRACKET, SEAL THE SINK TO THE WALL WITH NO. 833-AA SILICONE SEALANT, MOUNT THE MIXING FAUCET 36" ABOVE THE FLOOR.	3"	1/2"	1/2"
P-X	WATER HEATER: RHEEM MODEL NO. ELD540-TB, 40 GALLON WITH 2-3000 WATT ELEMENTS, 208/1/60, FOAM INSULATED, GLASS LINED, OPERATING AND SAFETY CONTROLS, VACUUM BREAKER AND ASME T&P RELIEF VALVE, INSTALL ON MOUNTING FRAME AS INDICATED ON THE DRAWINGS, INSTALL EXPANSION TANK, HYDRAPRO MODEL HPTET2.	-	SEE FLOOR PLAN	SEE FLOOR PLAN
P-X	FLOOR CLEANOUT: SMITH NO. 4040S04, 4" ADJUSTABLE FLOOR CLEANOUT WITH POLISHED BRONZE TOP IN CAST IRON FERRULE.	4"	-	-
P-X	EXTERIOR CLEANOUT: SOLID BRASS CLEANOUT PLUG WITH RECESSED WRENCH SLOT MOUNTED IN A CAST IRON HUB, INSTALL FLUSH WITH GRADE IN A FORMED CONCRETE PAD PER DETAILS ON THE DRAWINGS.	4"	-	-



PIPE FLASHING DETAIL
NOT TO SCALE



HOT & COLD WATER PIPE HANGER DETAIL
NOT TO SCALE

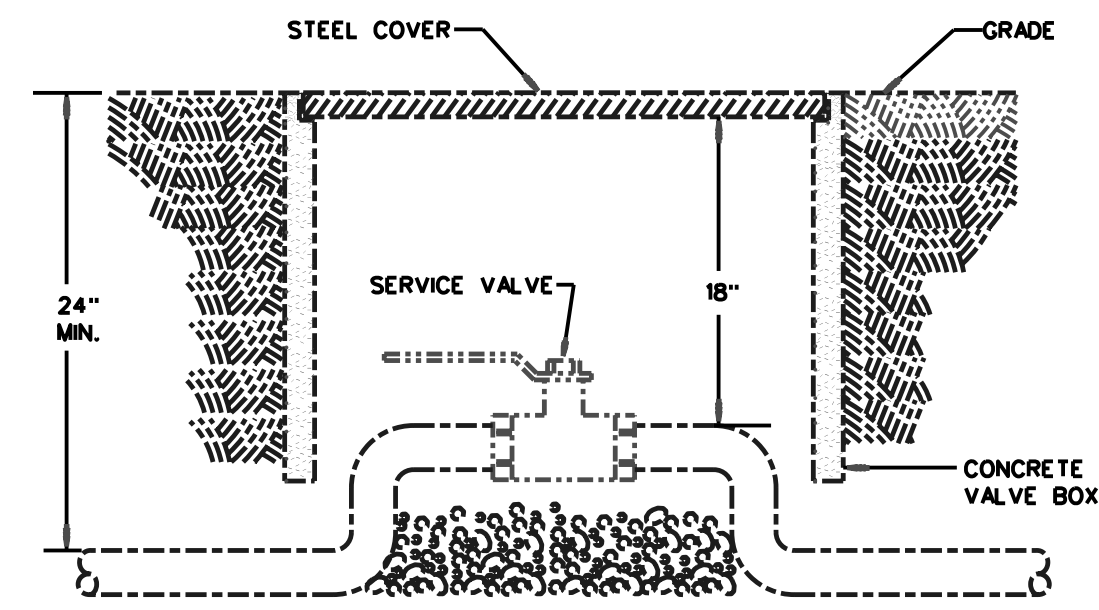


WATER HEATER PIPING DETAIL
NOT TO SCALE

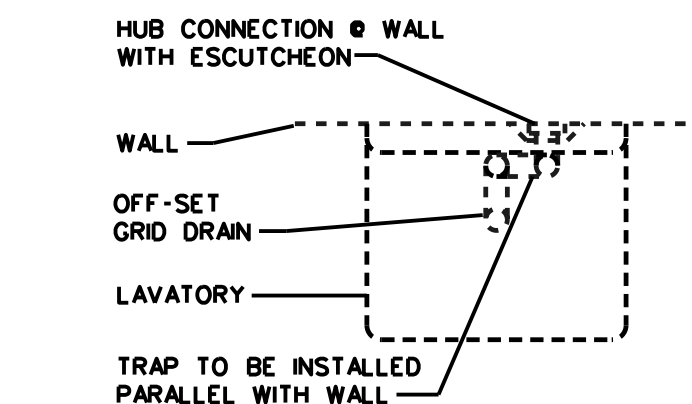
PLUMBING NOTES

- NEW 1" WATER METER TO BE SIZED FOR 13 GPM. COORDINATE INSTALLATION OF THE WATER METER WITH THE LOCAL UTILITIES. COORDINATE INSTALLATION OF PRV & BACKFLOW PREVENTER IF REQUIRED WITH THE LOCAL UTILITIES. SEE CIVIL DRAWINGS FOR EXACT LOCATION.
- ALL PLUMBING VENTS TO BE INSTALLED WITH A MINIMUM OF 10'-0" CLEARANCE FROM ALL OUTSIDE AIR INTAKE SYSTEMS ON THE EQUIPMENT.
- ALL WATER PIPES AT EXTERIOR WALLS SHALL BE INSTALLED ON THE BUILDING SIDE OF THE INSULATION, FURTHER: ALL WATER PIPES SHALL BE INSULATED WITH 1" THICK FIBERGLASS INSULATION WITH VAPOR BARRIER JACKET.
- UNDERGROUND WATER MAIN TO BE SCHEDULE 40 PVC PIPE WITH GLUED JOINTS. INSTALL THE PIPING WITH DETECTOR TAPE PER DETAILS ON THE DRAWINGS.
- ADD TO THE DOMESTIC WATER MAIN 50 PPM (PARTS PER MILLION) AVAILABLE CHLORINE, ALLOW THE SOLUTION TO STAND FOR SIX HOURS, THEN FLUSH THOROUGHLY. THE PROCEDURE WILL BE OBSERVED BY THE LOCAL PLUMBING OFFICIAL. COORDINATE SAMPLING OF THE CLEAN WATER WITH THE LOCAL HEALTH DEPARTMENT.
- EQUAL FIXTURES CAN BE SUBMITTED IN PLACE OF SPECIFIED FIXTURES.
- PEX PLUMBING PIPE CAN BE INSTALLED IN PLACE OF COPPER PIPING.
- ROUTE WATER HEATER PAN & RELIEF DRAINS TO ADJACENT MOP SINK.
- FIRST 8'-0" OF COLD WATER INLET AND HOT WATER OUTLET PIPING FROM WATER HEATER TO BE INSULATED.

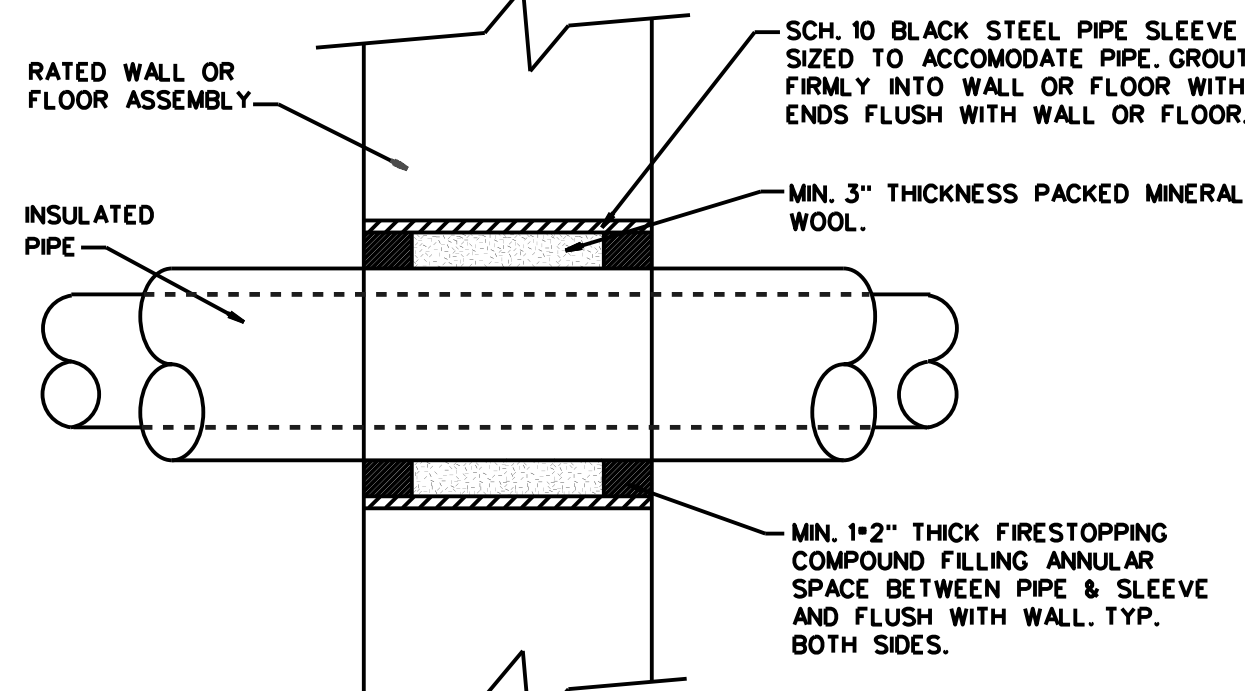
NOTE: VALVE BOX TO BE FLUSH WITH GRADE.



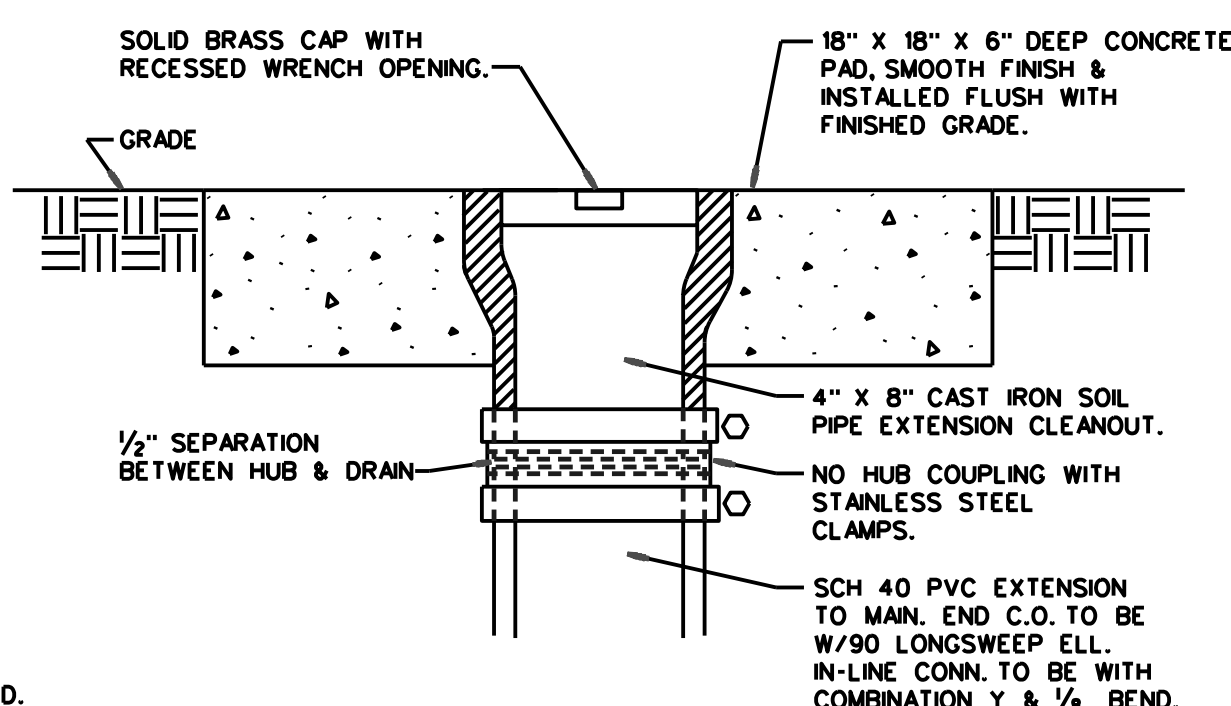
SERVICE VALVE IN VALVE BOX
NOT TO SCALE



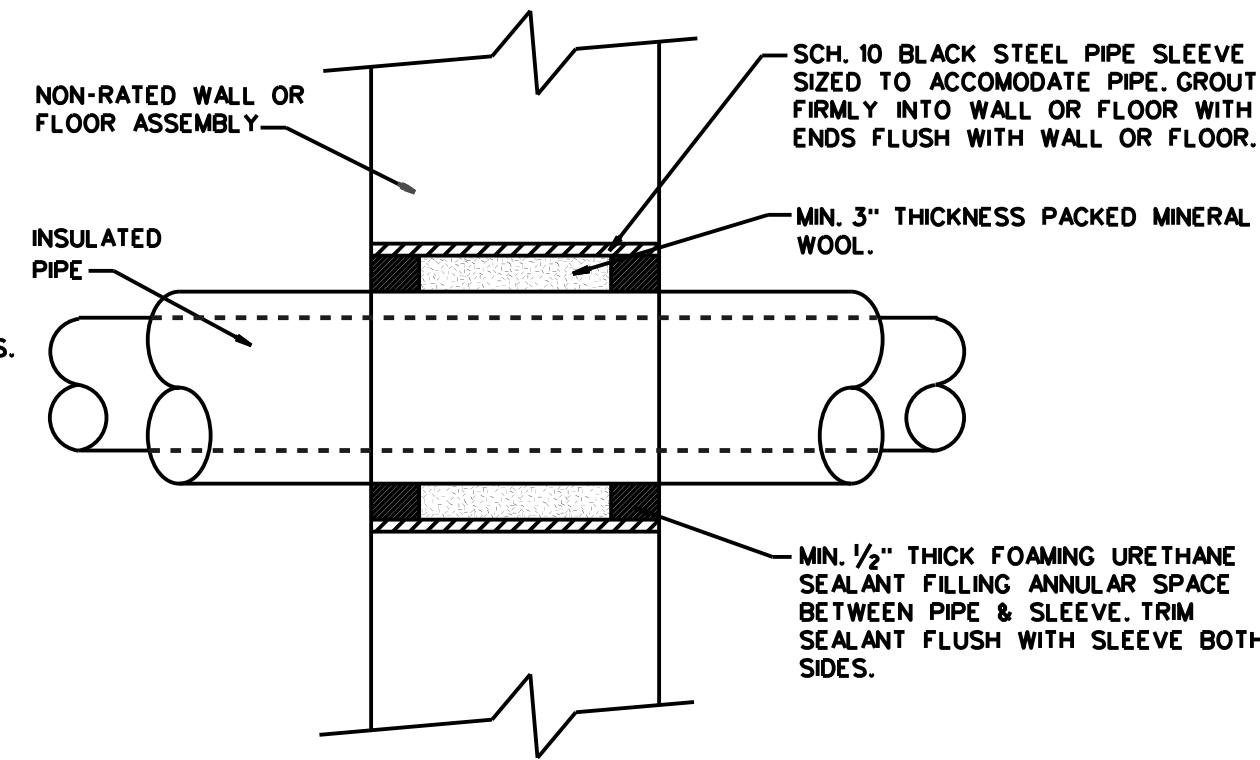
HANDICAPPED LAV. WASTE CONNECTION DETAIL
NOT TO SCALE



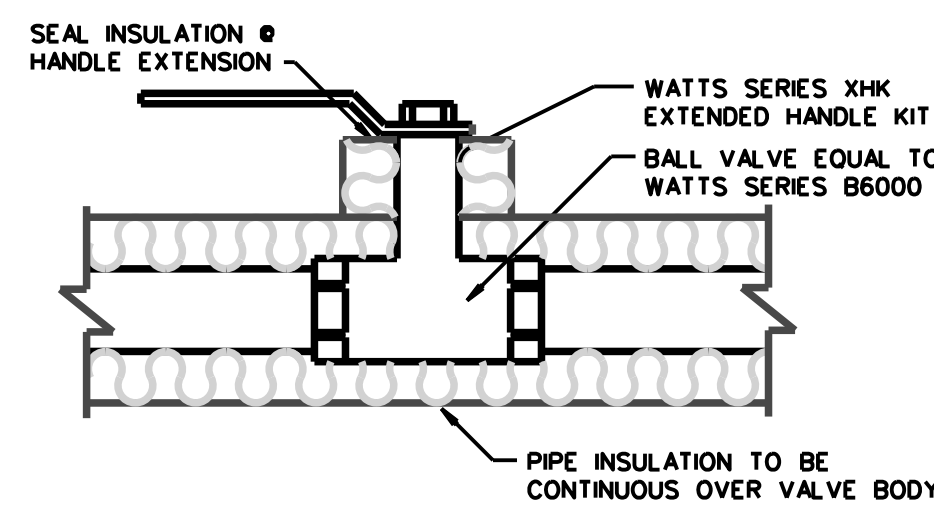
U.L. LISTING C-AJ-1009 RATED PIPE SLEEVE DETAIL
NOT TO SCALE



EXTERIOR CLEANOUT DETAIL
NOT TO SCALE



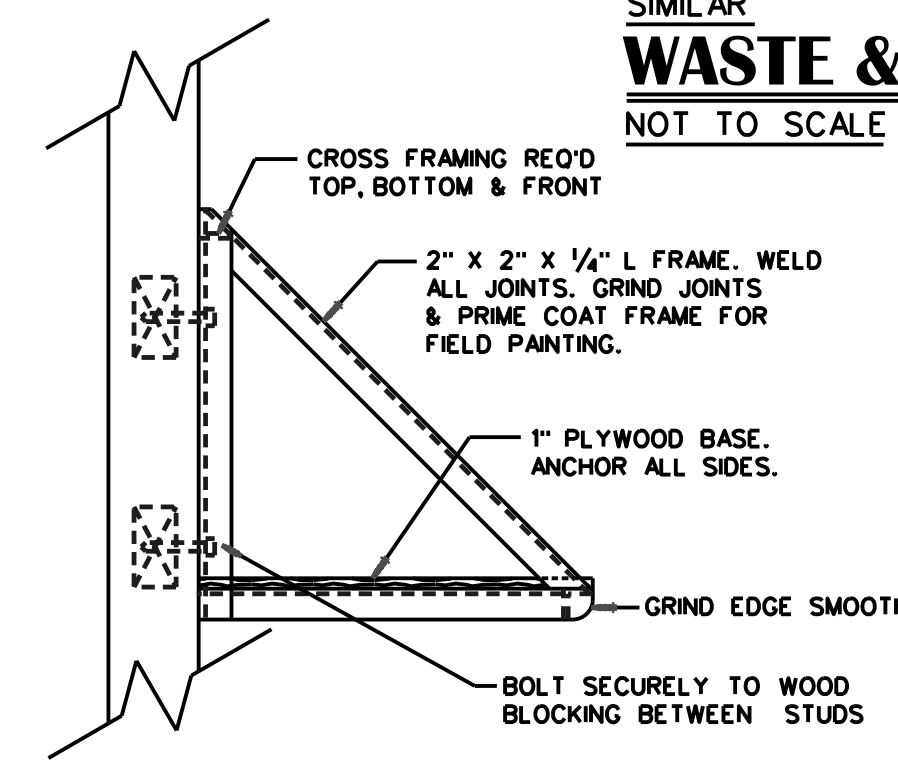
NON-RATED PIPE SLEEVE DETAIL
NOT TO SCALE



HOT & COLD WATER PIPING SERVICE VALVE INSTALLATION DETAIL
NOT TO SCALE

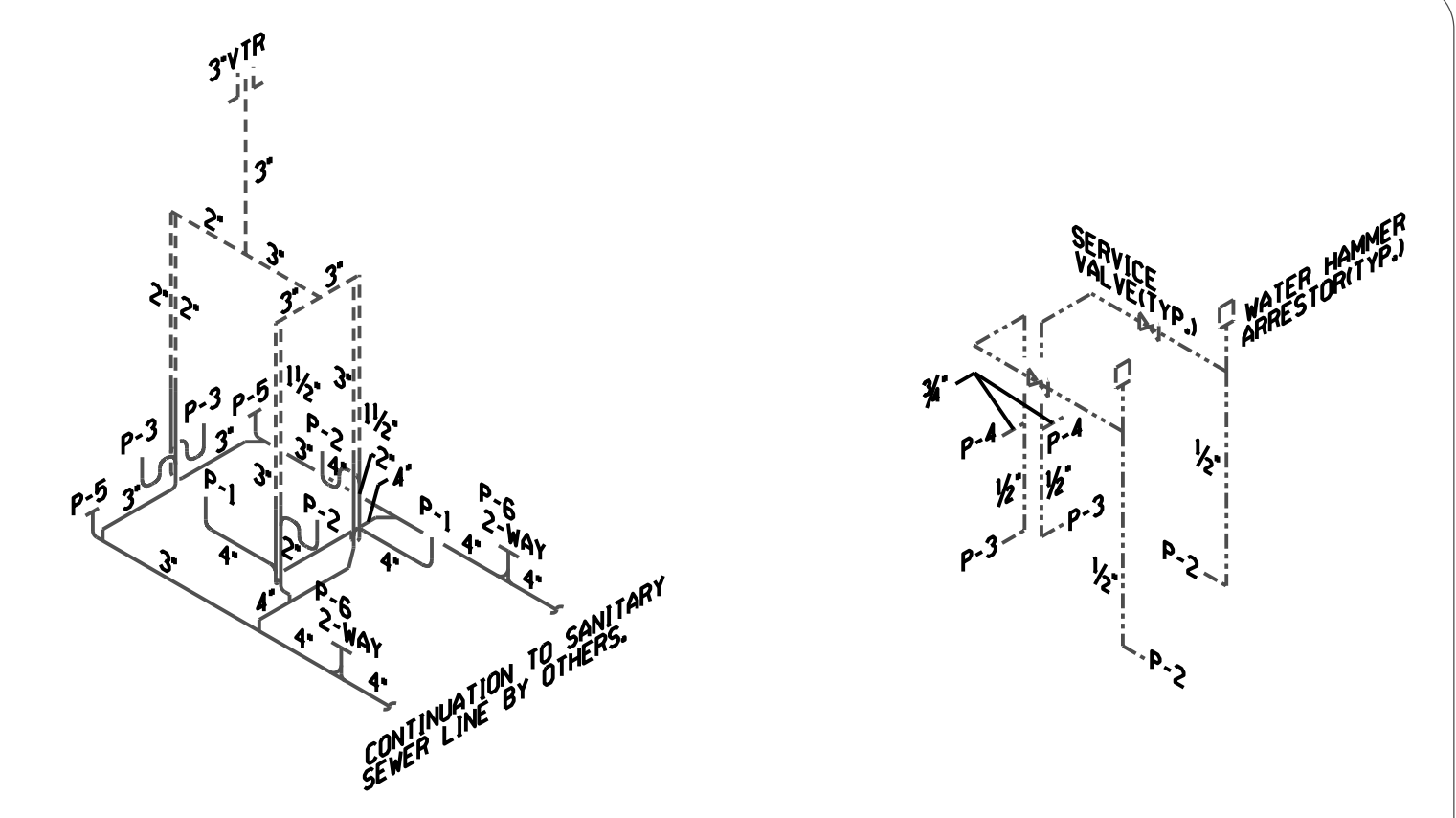
PIPE SUPPORT SCHEDULE

PIPE SIZE	HANGER SPACING
1/2"	6'
3/4"	6'
1"	8'
1 1/4"	8'
1 1/2"	8'
2"	10'
2 1/2"	10'
3"	12'
4"	12'
6"	12'
8"	12'

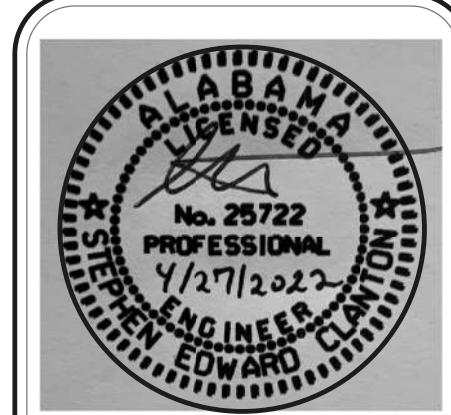
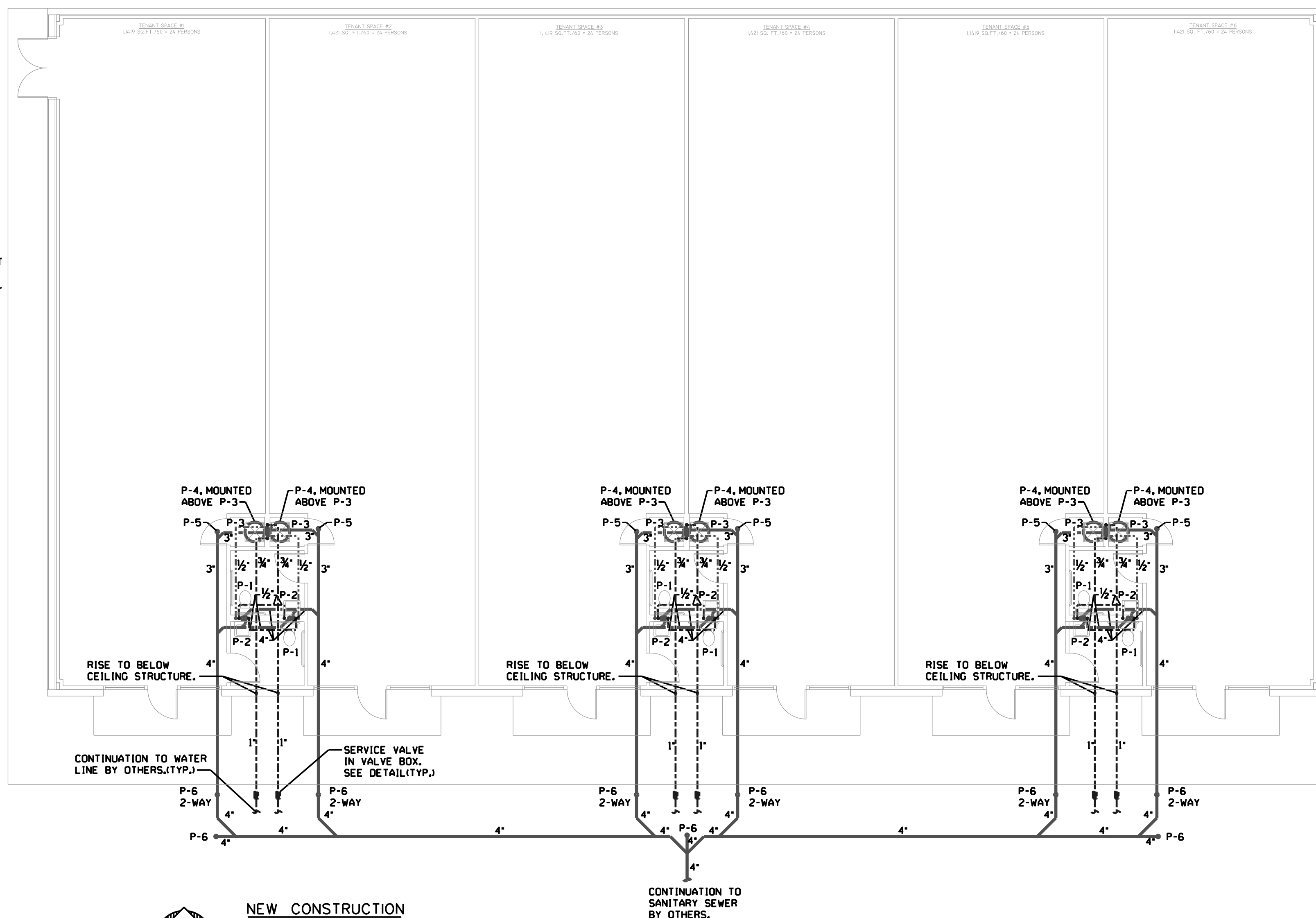
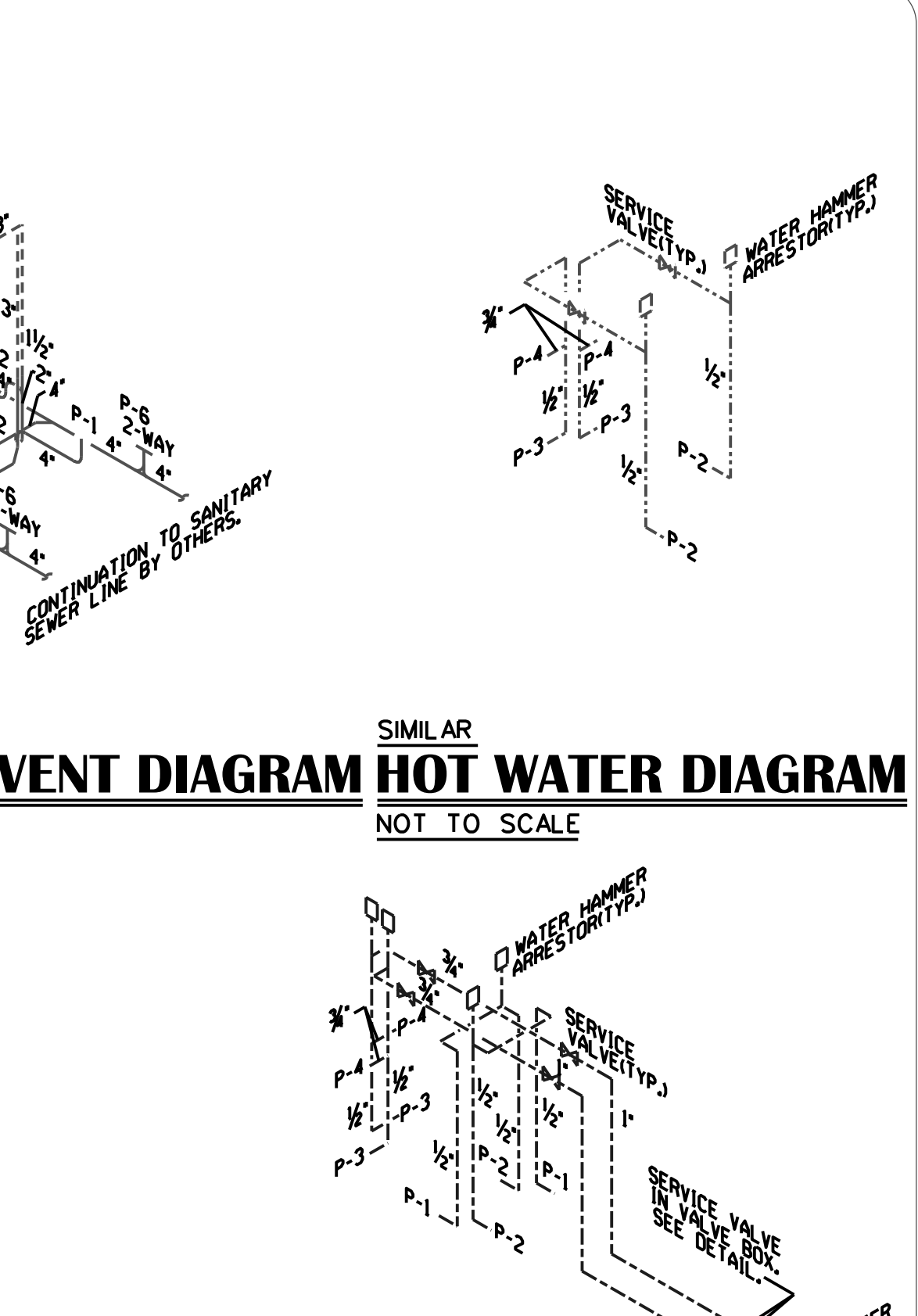


WATER HEATER MTG. FRAME DETAIL
NOT TO SCALE

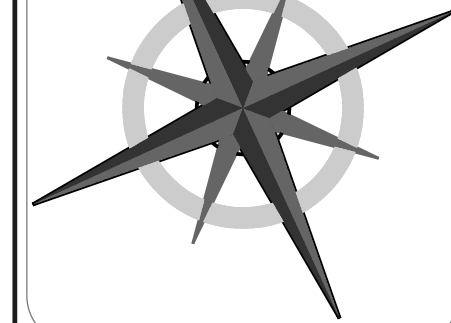
WASTE & VENT DIAGRAM HOT WATER DIAGRAM
NOT TO SCALE



COLD WATER DIAGRAM
NOT TO SCALE



TOTAL DESIGN ENGINEERING
3408 6th AVENUE SW
HUNTSVILLE, ALABAMA 35805
PHONE: 256-539-8585 FAX: 256-539-8508
EMAIL: RSTEADMAN@TOTALDESIGNENGINEERING.COM



RENOVATIONS & ALTERATIONS FOR:
NEW TENANT SPACES 16493 US HWY 72
ROGERSVILLE, ALABAMA
PLUMBING FLOOR PLAN

DRAWN: RTK
CHECKED: RUS/SEC
DATE: 04/27/2022
SHEET NO: **P-1** OF **1**
JOB NO: TSK-22-074

REVISIONS:
© 2022 TOTAL DESIGN ENGINEERING

ELECTRICAL NOTES

- ALL NECESSARY NEW ELECTRICAL EQUIPMENT REQUIRED FOR THE WORK PROPOSED SHALL BE FURNISHED AND INSTALLED BY THE CONTRACTOR UNLESS NOTED OTHERWISE AS BEING PROVIDED BY OWNER.
- THE CONTRACTOR SHALL COMPLY WITH ALL REQUIREMENTS OF APPLICABLE FEDERAL, STATE AND LOCAL CODES, ORDINANCES AND REGULATIONS.
- THE CONTRACTOR SHALL OBTAIN AND PAY FOR ALL PERMITS AND CERTIFICATES OF INSPECTION FOR ALL WORK.
- WIRING WHICH PENETRATES FIRE RESISTANT WALLS SHALL BE ENCLOSED IN ELECTRICAL METALLIC TUBING (EMT), UNLESS UL LISTED FOR USE IN THROUGH PENETRATION SYSTEMS, EMT SHALL BE FIRE STOPPED USING APPROVED SEALANTS, CALCULATING MATERIALS OR FOAM TO MAINTAIN FIRE RESISTANCE RATING. SEAL ALL ROOF PENETRATIONS WEATHER TIGHT PER LOCAL CODE, REQUEST INSPECTION BEFORE AND AFTER ANY THROUGH FIRE WALL PENETRATIONS.
- METAL CLAD TYPE MC WIRING (WITH GALV. OR ALUMINUM ARMOR) MAY BE USED ABOVE CEILING AREAS PER N.E.C. ARTICLE 330.
- LOCATION OF ELECTRICAL EQUIPMENT IS DIAGRAMMATIC AND SHOWS THE DESIGN INTENT ONLY. CONTRACTOR SHALL COORDINATE WITH PLANS OF ALL OTHER DISCIPLINES AND THEIR INSTALLERS FOR THE EXACT LOCATION OF ALL EQUIPMENT. PULL BOXES OR J-BOXES, THOUGH NOT SHOWN ON PLANS, SHALL BE PROVIDED AND INSTALLED BY THE CONTRACTOR.
- ALL ITEMS INCIDENTAL AND OR REQUIRED TO COMPLETE THE INSTALLATION SHALL BE FURNISHED AND INSTALLED BY THE CONTRACTOR.
- ALL ELECTRICAL EQUIPMENT, INCLUDING CONDUIT AND WIRING SHALL BE NEW AND UNUSED UNLESS NOTED OTHERWISE.
- RECESSED FIXTURES SHALL MAINTAIN A 3" MINIMUM CLEARANCE TO ADJACENT COMBUSTIBLE MATERIALS UNLESS LABELED AS "IC RATED".
- ALL CIRCUIT RUNS SHALL BE IDENTIFIED WITHIN EACH J-BOX WITH THE PROPER CIRCUIT NUMBER/DESCRIPTION OF EACH CIRCUIT ENTERING THE J-BOX. LABEL J-BOXES AND CONDUITS WITH PANDUIT CORP. INSTA-CODE PIPE MARKERS OR AN ENGINEER APPROVED EQUIVALENT.
- PROVIDE CIRCUIT I.D. ON THE INSIDE OF ALL RECEPTACLES, CONSISTENT WITH EXISTING METHODS.
- FITTINGS TO BE SET SCREW STEEL TYPE UTILIZING AN INSULATED THROAT.
- THE CONTRACTOR SHALL RECORD ON AS-BUILT DRAWINGS ALL SIZES, MATERIAL, ELEVATIONS AND/OR LOCATIONS OF ALL ELECTRICAL EQUIPMENT THAT DEVIATE FROM THESE DRAWINGS.
- REPAIR AREAS DAMAGED DURING CONSTRUCTION TO MATCH ADJACENT AREAS WITH RESPECT TO BOTH COLOR AND FINISH.
- IDENTIFY BRANCH CIRCUITS AT THE PANEL AND AT THE LOAD OUTLET, RECEPTACLE AND SWITCH. IDENTIFY THE PURPOSE OF INDIVIDUAL CIRCUIT BREAKERS, AND SAFETY SWITCHES BY MEANS OF NAMEPLATES.
- MAINTAIN SERVICE CLEARANCE AROUND PANELBOARDS PER N.E.C. ARTICLES 110.26 AND 110.34.
- PROVIDE CIRCUIT BREAKERS WITH UL LISTED INTERRUPTING RATINGS (RMS SYMMETRICAL AMPERES) GREATER THAN THE AVAILABLE FAULT CURRENT SHOWN ON ELECTRICAL ONE LINE DIAGRAM OR EQUAL RATING AS ELECTRICAL PANEL.
- ELECTRICAL CONTRACTOR SHALL BE RESPONSIBLE FOR ELECTRICAL POWER CONNECTIONS TO ALL OWNER FURNISHED FIXTURES.
- PROVIDE AND CONNECT ALL CONTROL WIRING REQUIRED FOR THE PROPER OPERATION OF THE MECHANICAL SYSTEMS, EXCEPT WHERE SPECIFICALLY SHOWN OTHERWISE ON THE DRAWINGS OR SPECIFIED. REFER TO MECHANICAL DRAWING CONTROL DIAGRAMS AND MECHANICAL EQUIP. SHOP DRAWINGS.
- PROVIDE ALL TEMPORARY POWER AND LIGHTING DURING CONSTRUCTION.
- AT THE TIME OF SHOP DRAWINGS SUBMITTAL CLEARLY MARK ALL DISCREPANCIES BETWEEN SHOP DRAWINGS AND BID DOCUMENTS.

CONDUIT & CONDUCTORS

	CONDUIT, EXPOSED ON WALL OR CEILING
	CONDUIT, CONCEALED IN WALL OR CEILING
	CONDUIT, INSTALLED BELOW SLABS OR BELOW GRADE
	HOMERUN TO PANEL, 2 #12 1/2" C AS SHOWN
	HOMERUN TO PANEL, 3 #10 3/4" C AS SHOWN

INDICATES NO. AND SIZE OF CONDUCTORS
INDICATES HOMERUN TO PANEL
INDICATES PANEL AND CIRCUIT NO. (PANEL LP-B CKT 3 AND 5)

- SHORT HASH MARKS INDICATE NUMBER OF HOT & SWITCH LEG CONDUCTORS.
- LONG HASH MARKS INDICATE NUMBER OF NEUTRAL CONDUCTORS.
- SIZE CONDUIT PER N.E.C. LATEST EDITION UNLESS NOTED OTHERWISE.
- PROVIDE N.E.C. LATEST EDITION GROUND CONDUCTOR SIZE IN ALL CONDUIT RUNS.
- CONDUIT USED FOR AREAS ON BUILDING EXTERIOR SHALL BE RIGID GALVANIZED STEEL CONDUIT ONLY. UNDERGROUND SHALL BE PVC SCH. 40 OR SCH. 80 UNLESS OTHERWISE NOTED ON DRAWING.
- ALL WIRE SHALL BE SOLID COPPER, #12 AWG MINIMUM TYPE THHN/THWN INSULATION RATED 75°C MIN, 600 VOLTS UNLESS OTHERWISE NOTED.
- WIRE SIZES LARGER THAN #12 AWG TO BE STRANDED COPPER.
- ALL CIRCUITS TO INCLUDE GROUND WIRES.
- PROVIDE A PULL STRING IN ALL EMPTY DATA OUTLET CONDUITS OF NYLON, BRAIDED POLYESTER OR PROPYLENE (100# TEST), INSTALLED WITH 12" SLACK AT EACH END OF THE CONDUIT RUN.
- INSTALL AN INSULATED EQUIPMENT GROUNDING CONDUCTOR IN EACH RACEWAY OR CONDUIT. SIZE EQUIPMENT GROUNDING CONDUCTOR IN ACCORDANCE WITH N.E.C. TABLE 250.66.
- CONDUITS SHALL BE ROUTED PARALLEL OR PERPENDICULAR TO WALLS AND/OR CEILING WHEREVER POSSIBLE. ROUTE NO CONDUITS DIRECTLY BENEATH AND PARALLEL TO MECHANICAL PIPING.
- VOLTAGE DROP: FOR 20A CIRCUITS OVER 100 FEET AND LESS THAN 175 FEET USE #10 CONDUCTORS. FOR 20A CIRCUITS OVER 175 FEET AND LESS THAN 275 FEET, USE #8 CONDUCTORS.

ABBREVIATIONS

1PH	SINGLE PHASE	GFCI	GROUND FAULT CIRCUIT INTERRUPTER
3PH	THREE PHASE	G	GROUND
3W	THREE WIRE	JBOX	JUNCTION BOX
4W	FOUR WIRES	KV	KILOVOLT
A.F.F.	ABOVE FINISHED FLOOR	KVA	KILOVOLT AMPERE
AIC	AMPERE INTERRUPTING CAPACITY	M.B.	MAIN BREAKER
AMP	AMPERE	M.L.O.	MAIN LUG ONLY
BKR	CIRCUIT BREAKER	REC	RECEPTACLE
C	CONDUIT	WP	WEATHERPROOF
CU	COPPER	XFMR	TRANSFORMER
DISC	DISCONNECT SWITCH		
FC	FOOT CANDLE		
GA	GAGE		

LIGHTING LEGEND

	UFO LED HIGHBAY	LUMENS	COLOR	WATTS
		15065	3500K	100
		MOUNT: SUSPENDED		
NOTES: MOUNT 11'-0" A.F.F., COORDINATE EXACT HEIGHT IN FIELD				
	11" ROUND LED SURFACE MOUNTED DOWNLIGHT	LUMENS	COLOR	WATTS
		1300	3500K	15
		MOUNT: SURFACE		
NOTES:				
	LED VANITY FIXTURE	LUMENS	COLOR	WATTS
		-	4000K	25
		MOUNT: WALL		
NOTES: SELECTED & FURNISHED BY DESIGNER				
	LED OUTDOOR WALL SCONCE	LUMENS	COLOR	WATTS
		-	4000K	25
		MOUNT: WALL		
NOTES: SELECTED & FURNISHED BY DESIGNER				
	OUTDOOR LED WALL AREA LIGHT	LUMENS	COLOR	WATTS
		4701	4000K	38
		MOUNT: BULLHORN		
NOTES:				
	EXIT/EMERGENCY COMBO	LUMENS	COLOR	WATTS
		-	-	-
		MOUNT: WALL		
NOTES:				
	LED 2 - HEAD EMERGENCY LIGHT	LUMENS	COLOR	WATTS
		-	-	-
		MOUNT: -		
NOTES: SEE FLOOR PLAN FOR CEILING OR WALL MOUNT.				

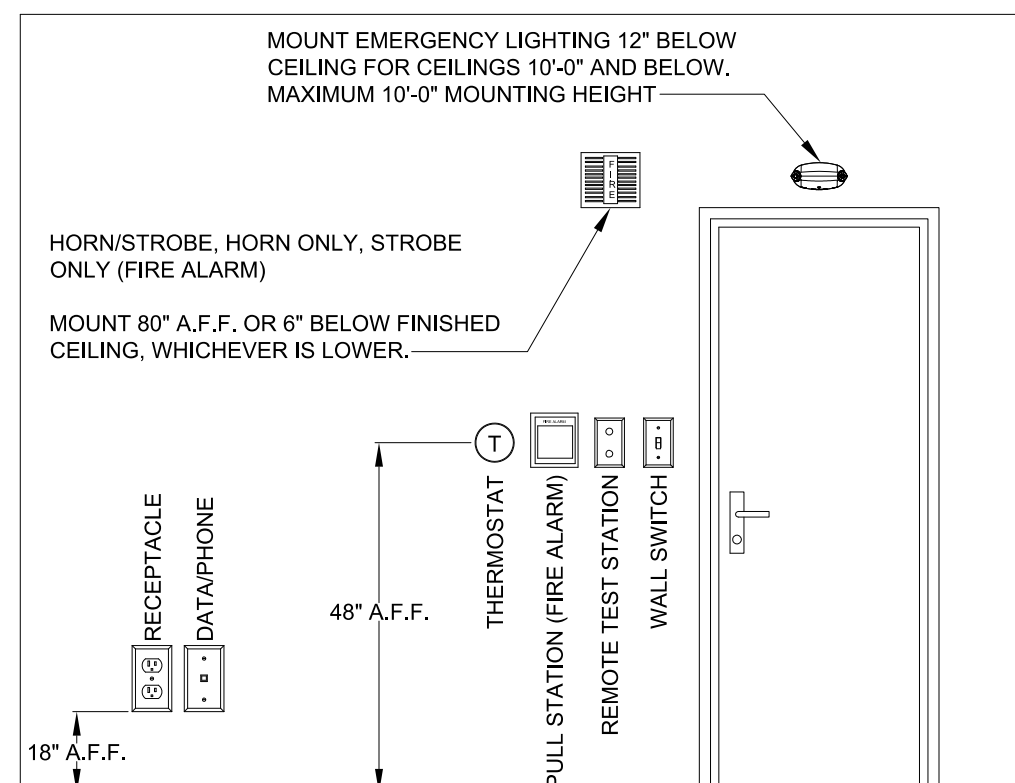
NOTES

- APPROVED EQUAL BY COLUMBIA, COOPER, OR BELL & MCCOY.
- COORDINATE ALL COLOR OPTIONS WITH OWNER & ARCHITECT, PRIOR TO ORDERING.
- VERIFY EXACT MOUNTING REQUIREMENTS IN FIELD. COORDINATE WITH ARCHITECT & OWNER FOR EXACT ELEVATION PRIOR TO INSTALLATION.
- VERIFY FINAL LOCATIONS OF LIGHT FIXTURES WITH OWNER PRIOR TO INSTALLATION.
- COORDINATE LOCATION OF LIGHT FIXTURES WITH ALL TRADES AS REQUIRED.

ELECTRICAL SYMBOLS

	TOGGLE SWITCH, SINGLE POLE, 125/277 VOLT 20 AMP.
	TOGGLE SWITCH, THREE WAY, 125/277 VOLT 20 AMP.
	DIMMER, COORDINATE WITH FIXTURE, TYPE OF LAMP AND CIRCUIT WATTAGE.
	DUPLEX OUTLET, NEMA 5-15R, 125 VOLT, HUBBELL #HBL5262 OR EQUAL.
	DUPLEX OUTLET, MOUNTED ABOVE COUNTERTOP, HUBBELL #HBL5262 OR EQUAL.
	DUPLEX OUTLET, GFCI TYPE, NEMA 5-15R, 125V, 15AMP, HUBBELL #GF5262A OR EQUAL.
	DUPLEX OUTLET, GFCI TYPE, MOUNTED ABOVE COUNTERTOP, HUBBELL #GF5262A OR EQUAL.
	SINGLE OUTLET, 240 VOLT, 30 AMP, NEMA 6-30R, HUBBELL #HBL9330 OR EQUAL.
	QUADRUPLEX OUTLET, NEMA 5-15R, 125V, 15 AMP, HUBBELL #HBL5262 OR EQUAL.
	DUPLEX OUTLET WITH USB-A & USB-C, NEMA 5-15R, 125 VOLT, HUBBELL #USB15AC56K OR EQUAL.
	PHONE/DATA OUTLET, WALL MOUNTED, 3/4" CONDUIT TO ACCESSIBLE CEILING SPACE
	PHONE/DATA OUTLET, WALL MOUNTED ACT, 3/4" CONDUIT TO ACCESSIBLE CEILING SPACE
	SINGLE GANG FLOOR BOX WITH DUPLEX OUTLET, 120V, 15 AMP, NEMA 5-15R, HUBBELL #B2436 FLOORBOX WITH HUBBELL #HBL5262 RECEPTACLE AND S3825 COVER.
	TWO GANG FLOOR BOX WITH DUPLEX OUTLET, 120V, 15 AMP, NEMA 5-15R AND TELEPHONE/DATA OUTLET, HUBBELL #B423341 FLOORBOX WITH HUBBELL #HBL5262 RECEPTACLE AND ONE S3825 COVER & ONE S2425 COVER
	WEATHERPROOF DUPLEX OUTLET, GFCI TYPE, NEMA 5-15R, 125V, 15AMP, HUBBELL #GF5262A OR EQUAL.
	MOTOR
	TOGGLE DISCONNECT, HORSEPOWER RATED
	NON-FUSED DISCONNECT, AMP OR HP RATED, SEE FLOOR PLAN.
	ELECTRICAL PANEL (SEE SCHEDULE)
	PHOTOCELL, TORQ 2101 OR EQUAL

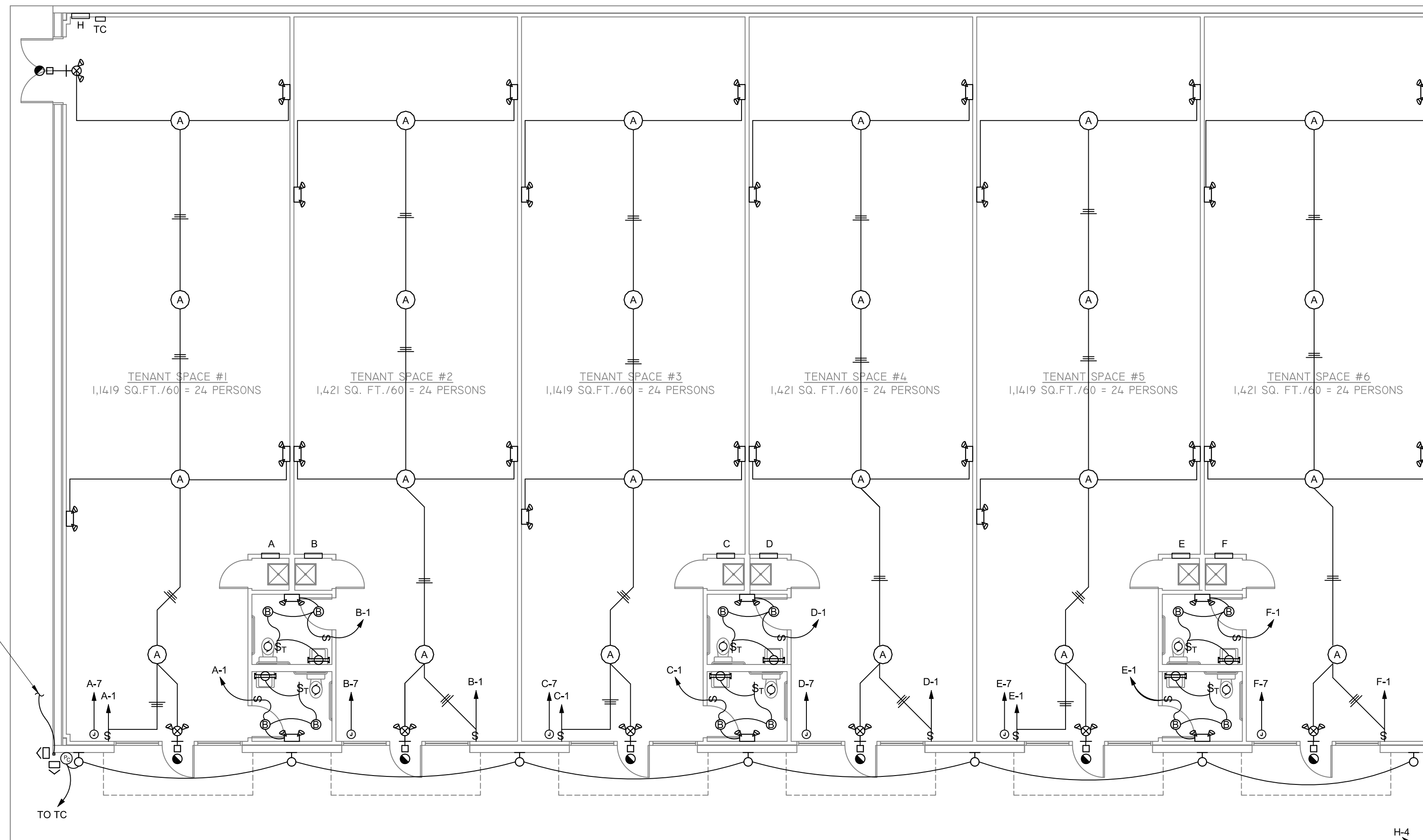
- NOTES:
- FINISH FOR ALL SWITCHES, RECEPTACLES, PLATES AND OTHER DEVICES TO BE COORDINATED WITH OWNER AND ARCHITECT.



TYP. MOUNT HEIGHTS DETAIL

NOT TO SCALE

NOTE: EXISTING WALL PACKS & OUTDOOR LIGHTING TO HOME-RUN TO TC.



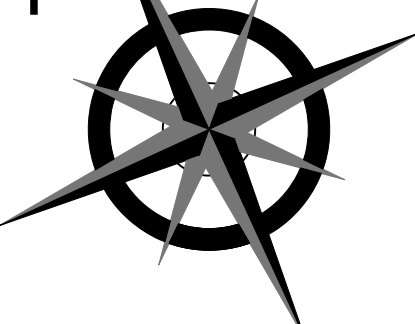
LIGHTING PLAN

SCALE: 1/8" = 1'-0"

EXISTING POLE SIGN, COORDINATE EXACT LOCATION IN FIELD



TOTAL DESIGN ENGINEERING
3408 6th AVENUE SW
HUNTSVILLE, ALABAMA 35805
PHONE: 256-539-8585, FAX: 256-539-8508
EMAIL: JQUILLEN@TOTALDESIGNENGINEERING.COM



RENOVATIONS & ALTERATIONS FOR:
NEW TENANT SPACES 16493 US HWY 72

ROGERSVILLE, ALABAMA

LIGHTING FLOOR PLANS

DRAWN
JLW

CHECKED
JAC

DATE
04/27/2022

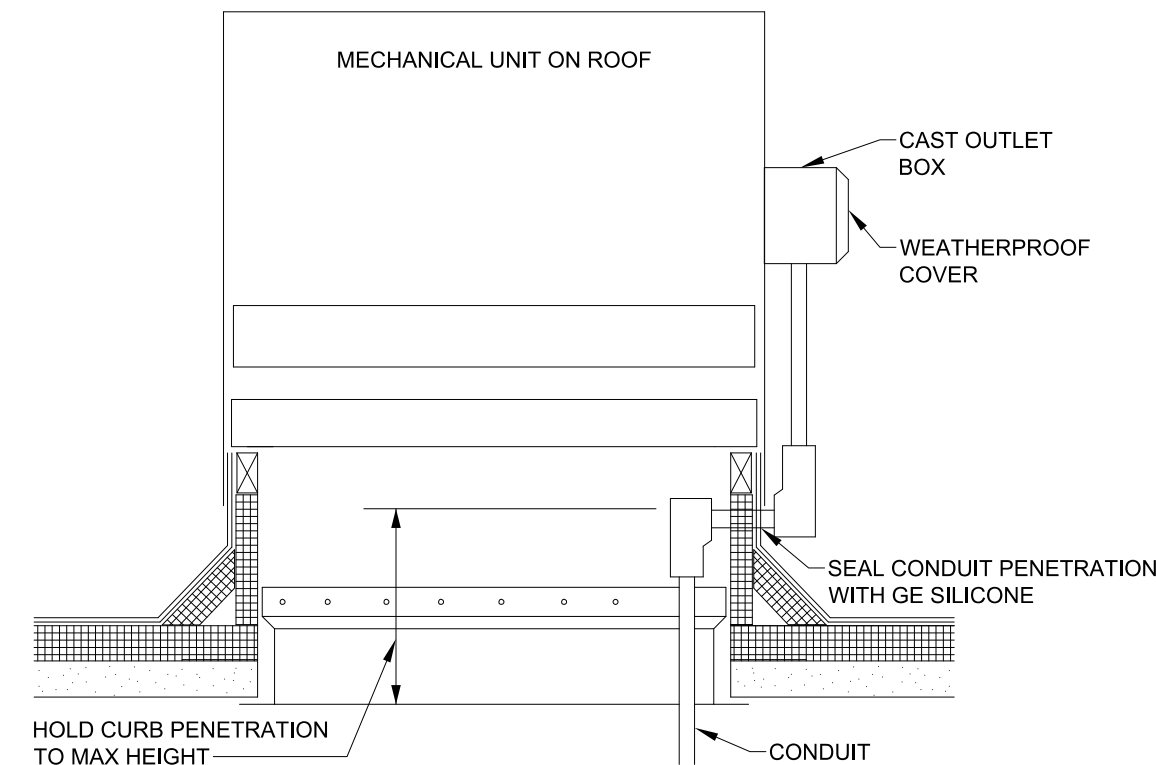
SHEET NO:
E-1
OF
3

JOB NO:
TSK-22-074

REVISIONS

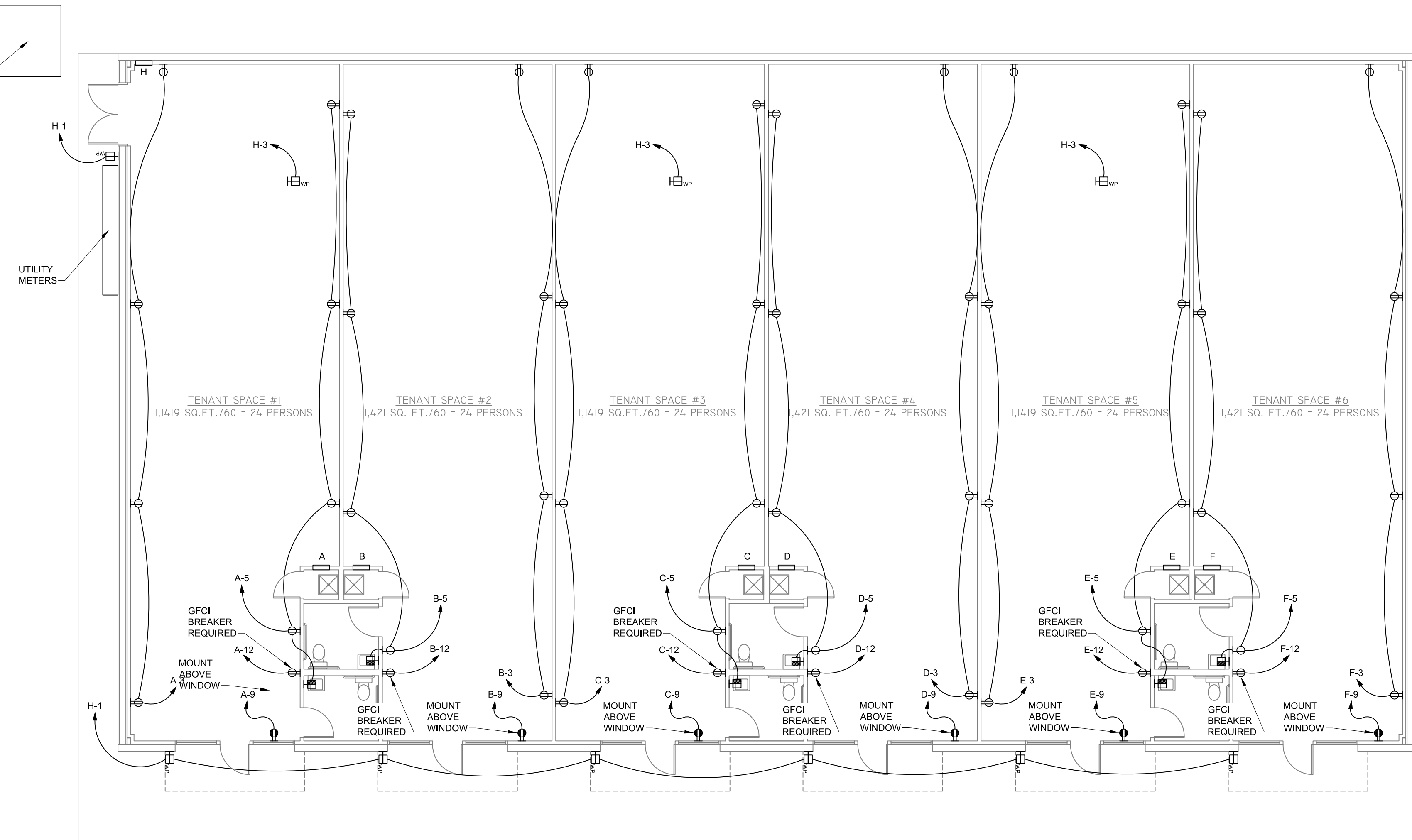
THIS DRAWING/ELECTRICAL SYMBOLS ARE THE PROPERTY OF TOTAL DESIGN ENGINEERING. THIS DRAWING/ELECTRICAL SYMBOLS ARE THE PROPERTY OF TOTAL DESIGN ENGINEERING. THIS DRAWING/ELECTRICAL SYMBOLS ARE THE PROPERTY OF TOTAL DESIGN ENGINEERING. THIS DRAWING/ELECTRICAL SYMBOLS ARE THE PROPERTY OF TOTAL DESIGN ENGINEERING. THIS DRAWING/ELECTRICAL SYMBOLS ARE THE PROPERTY OF TOTAL DESIGN ENGINEERING.

© 2022 TOTAL DESIGN ENGINEERING



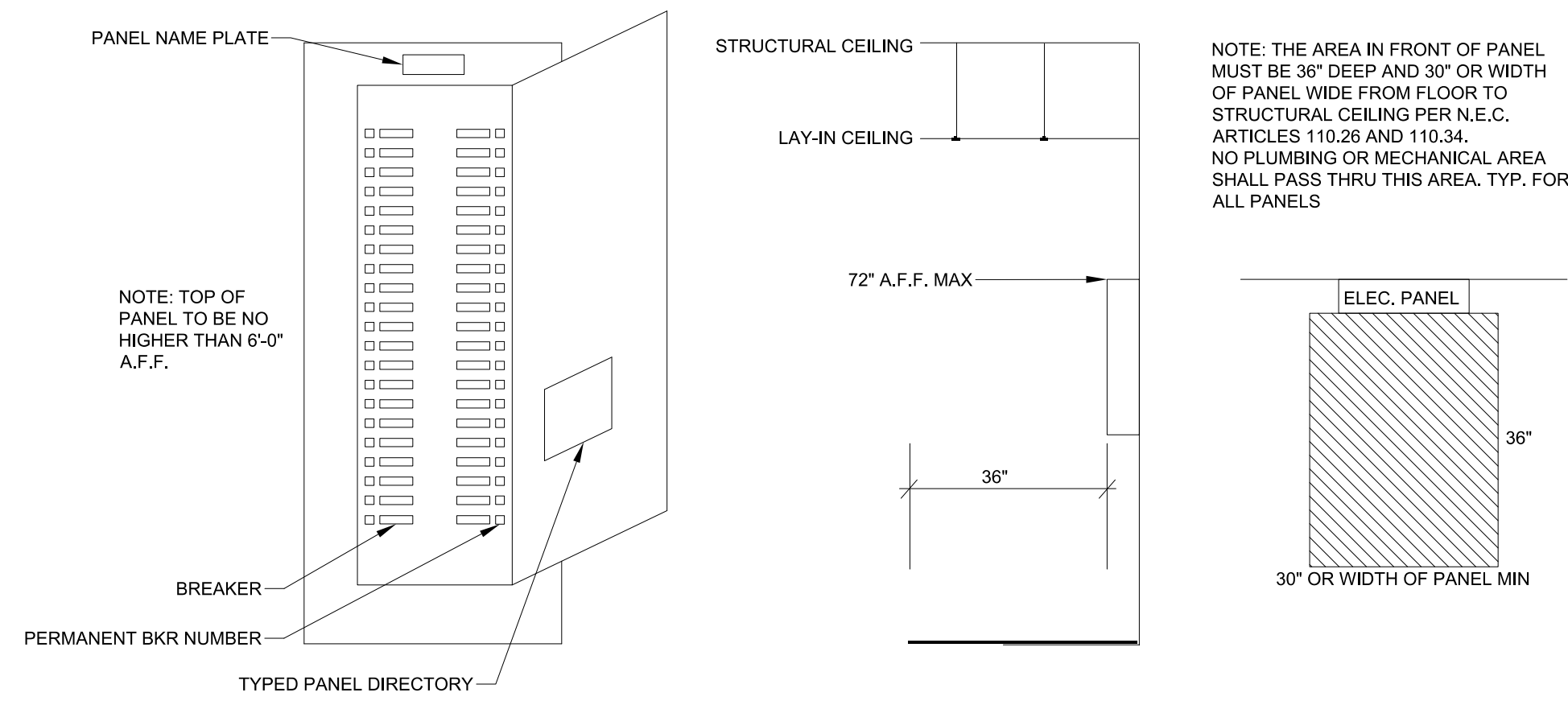
TYP. MOUNTING
ROOF CURB SERVICE GFCI RECEPTACLE
 NOT TO SCALE

PAD MOUNTED TRANSFORMER LOCATION, 20'-0" EASEMENT TO TRANSFORMER. COORDINATE WITH UTILITIES & OWNER FOR EXACT LOCATION

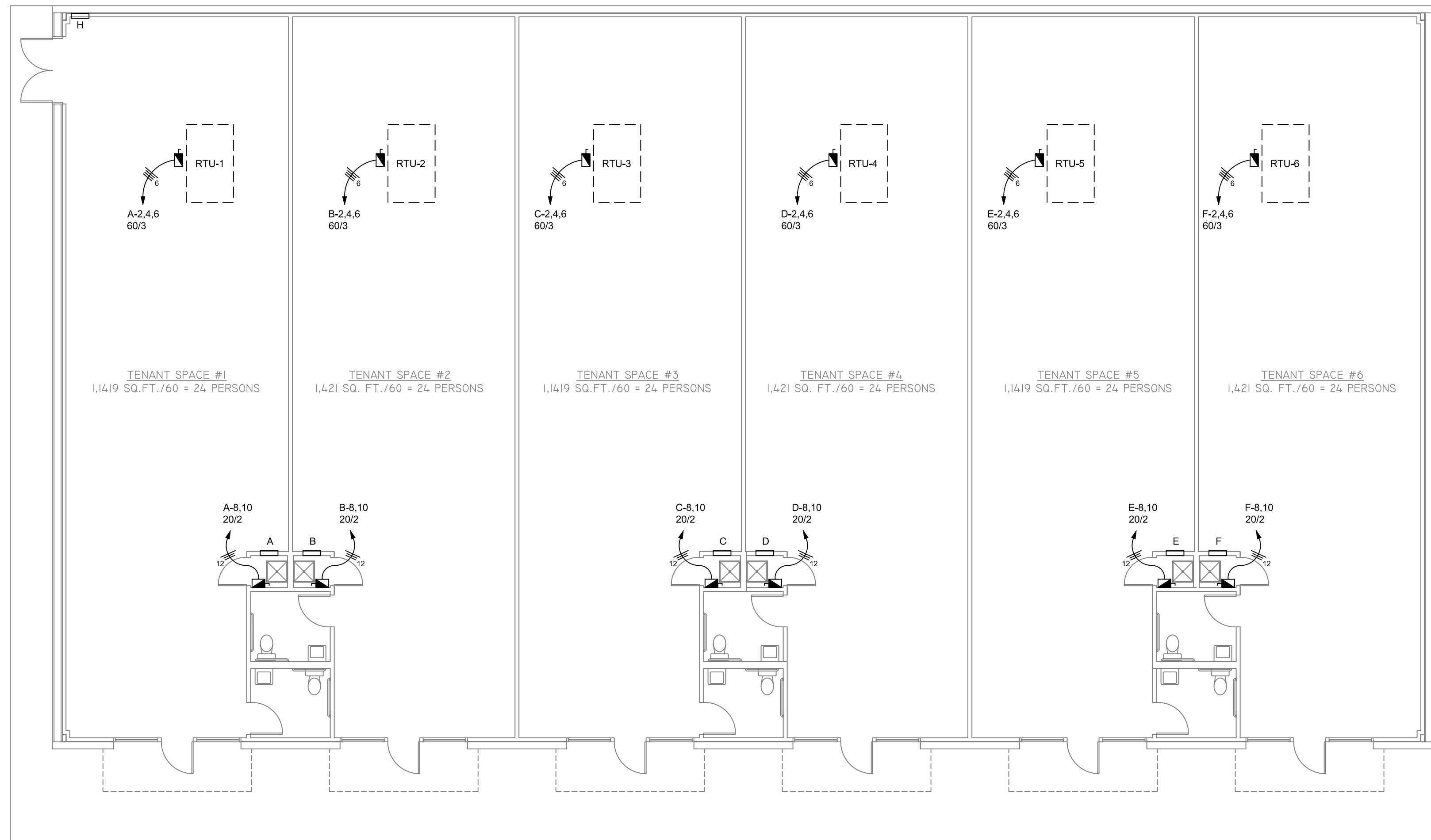


GENERAL
POWER PLAN
 SCALE: 1/8" = 1'-0"

NOTE: ALL EXISTING CONDUCTORS TO BE REMOVED ARE TO BE REMOVED BACK TO SOURCE, DO NOT ABANDON IN PLACE.



TYPICAL PANEL INSTALLATION DETAIL
 NOT TO SCALE



HVAC & AUXILIARY
POWER PLAN
 SCALE: 1/8" = 1'-0"



TOTAL DESIGN ENGINEERING
 3408 6th AVENUE SW
 HUNTSVILLE, ALABAMA 35805
 PHONE: 256-539-8585, FAX: 256-539-8508
 EMAIL: JQUILLEN@TOTALDESIGNENGINEERING.COM



RENOVATIONS & ALTERATIONS FOR:
NEW TENANT SPACES 16493 US HWY 72

ROGERSVILLE, ALABAMA

POWER FLOOR PLANS

DRAWN: JLW
 CHECKED: JAQ
 DATE: 04/27/2022

SHEET NO: **E-3** OF **3**
 JOB NO: TSK-22-074

REVISIONS

THIS DRAWING AND ALL INFORMATION CONTAINED HEREIN IS THE PROPERTY OF TOTAL DESIGN ENGINEERING. IT IS TO BE USED ONLY FOR THE PROJECT AND SITE SPECIFICALLY IDENTIFIED HEREIN. IT IS NOT TO BE REPRODUCED, COPIED, OR TRANSMITTED IN ANY FORM OR BY ANY MEANS, ELECTRONIC OR MECHANICAL, WITHOUT THE WRITTEN PERMISSION OF TOTAL DESIGN ENGINEERING.

© 2022 TOTAL DESIGN ENGINEERING