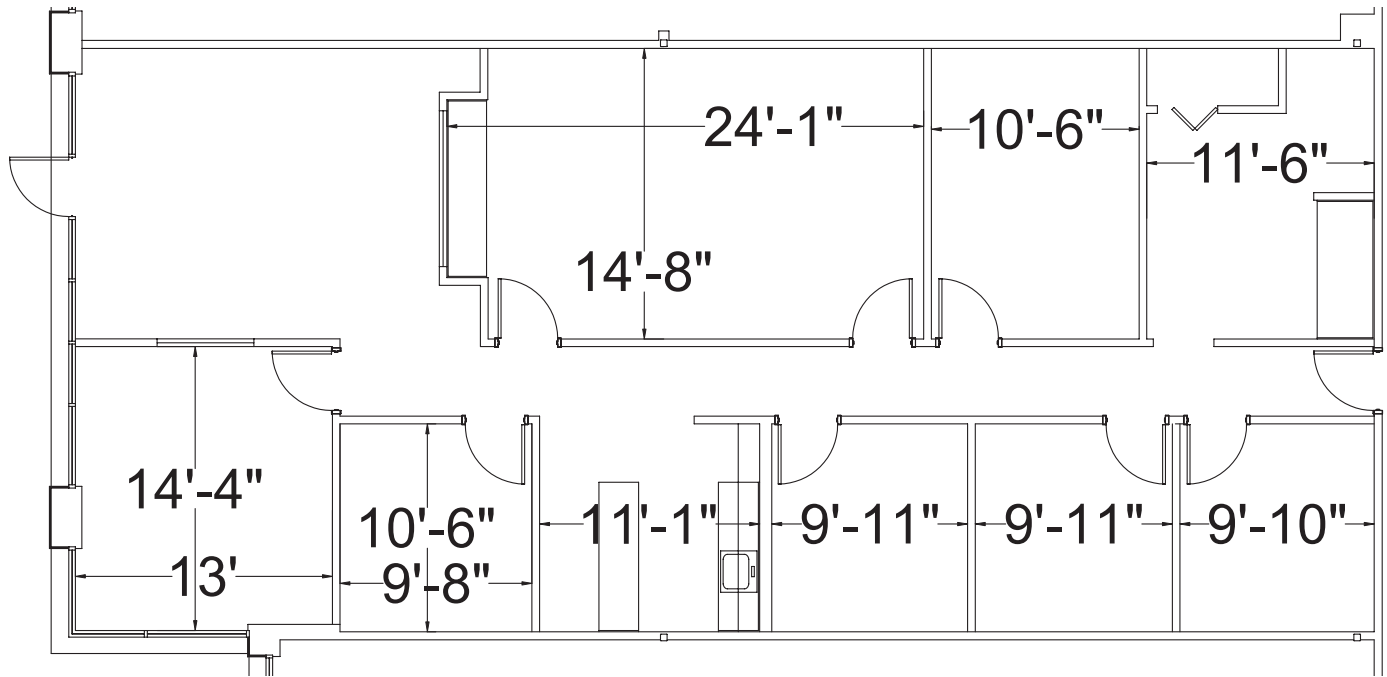


5421 Beaumont Center Blvd, Tampa, FL

**Suite 655: 1,960 RSF**



KEY PLAN



For more information:

Kelli Hatton  
+1 813.454.1619  
khatton@naiburnsscalo.com

Coy Lowrey  
+1 813.215.8168  
clowrey@naiburnsscalo.com

5201 W Kennedy Blvd, Suite 925  
Tampa, FL  
+1 813.815.8360

[NAIBurnsScalo.com](http://NAIBurnsScalo.com)