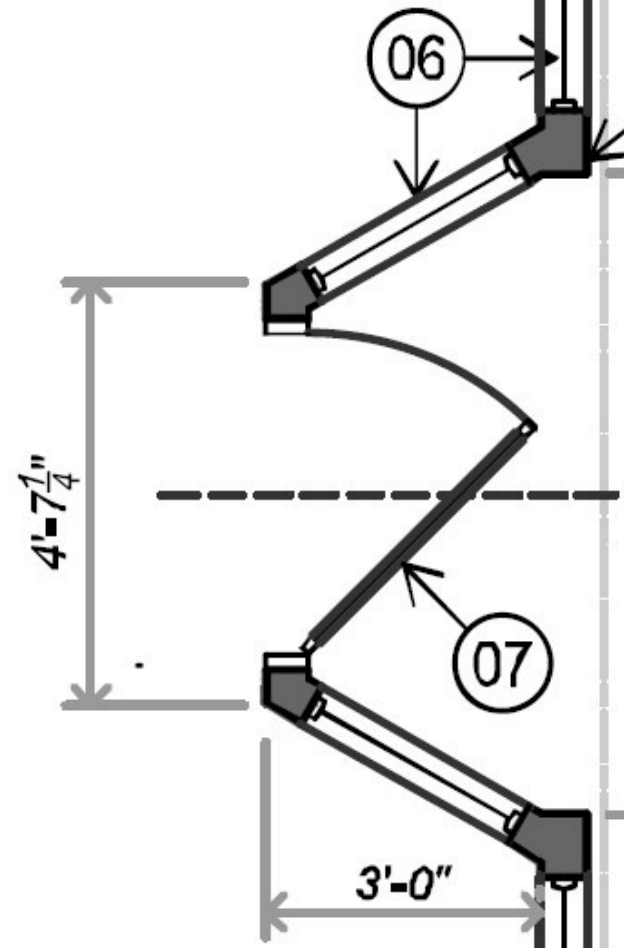


12
(OPTIONAL)



COMMERCIAL
SPACE
380 sf

