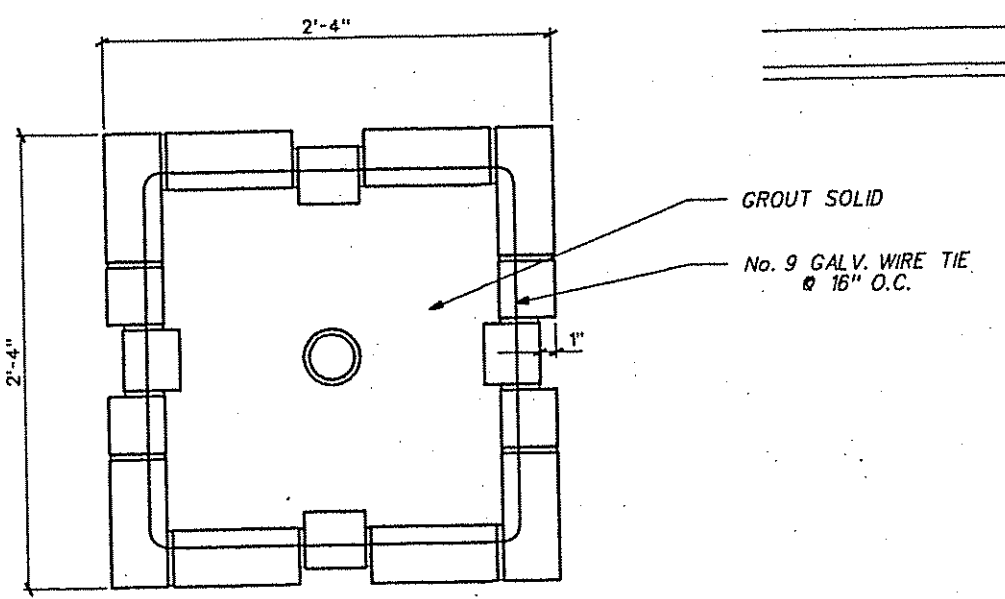
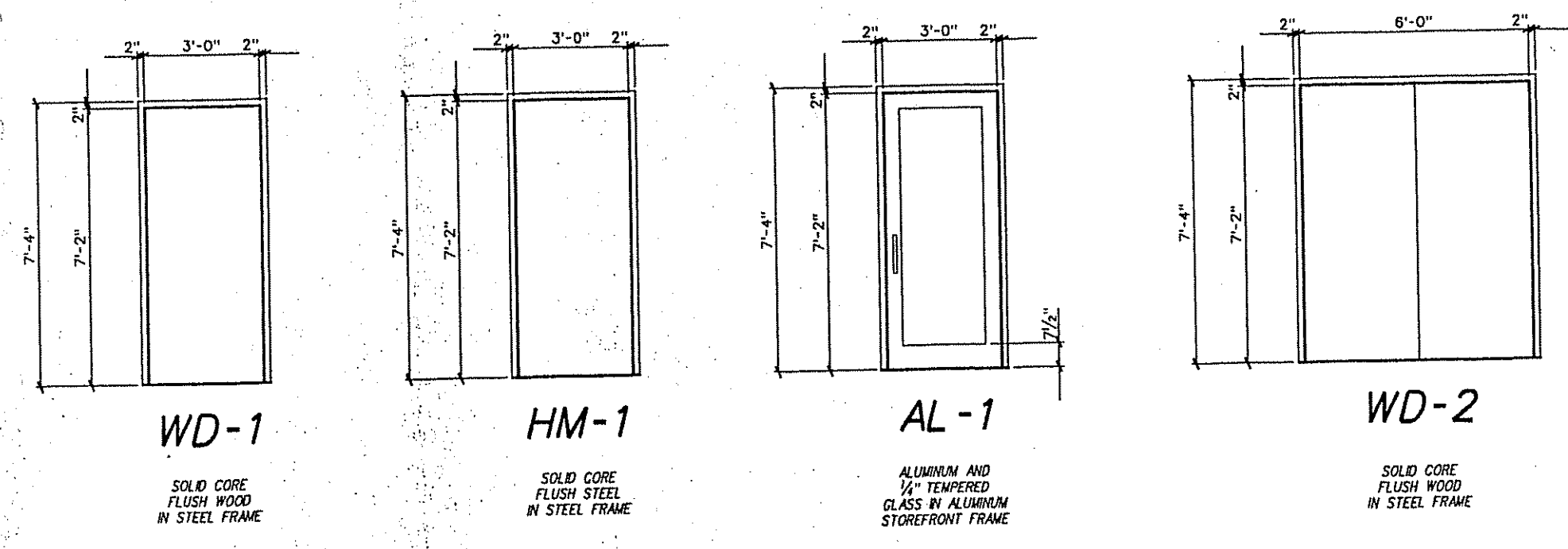
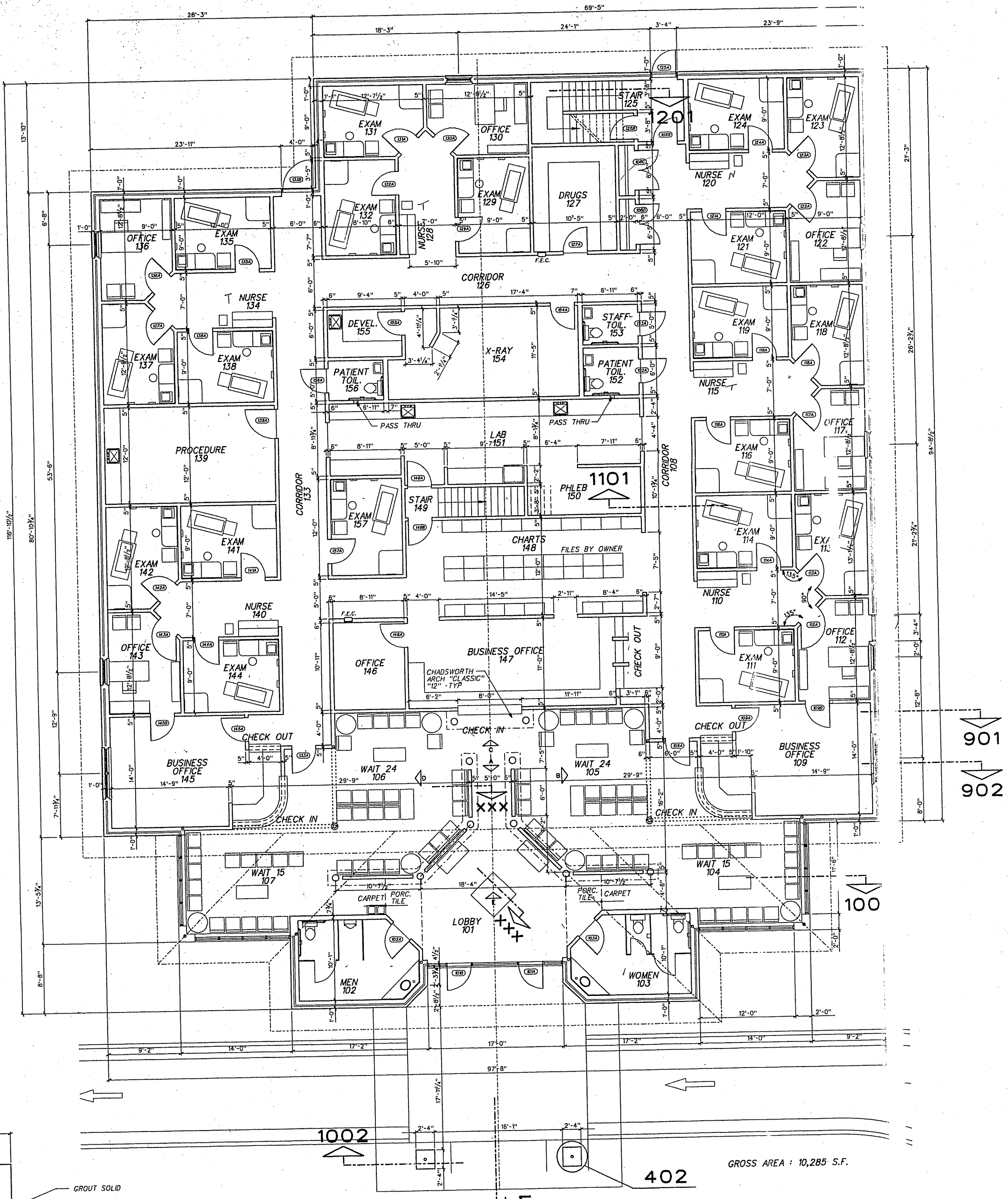


### ROOM FINISH SCHEDULE

FIRST FLOOR							
MARK AREA	FLOOR	COLOR	BASE COLOR	WALLS COLOR	CEILING	CLG HT	REMARKS
101 LOBBY	CARPET/PORC. TILE		4" RUBBER	YVC	PAINTED GYP. BD.	VARIABLES	
102 MEN'S TOILET	SHEET VINYL		4" RUBBER	YVC	2x2 ACOUSTICAL TILE	8'-0"	
103 WOMEN'S TOILET	SHEET VINYL		4" RUBBER	YVC	PAINTED GYP. BD.	VARIABLES	
104 WAITING	CARPET		4" RUBBER	YVC	PAINTED GYP. BD.	VARIABLES	
105 WAITING	CARPET		4" RUBBER	YVC	PAINTED GYP. BD.	VARIABLES	
106 WAITING	CARPET		4" RUBBER	YVC	PAINTED GYP. BD.	VARIABLES	
107 WAITING	CARPET		4" RUBBER	YVC	PAINTED GYP. BD.	VARIABLES	
108 CORRIDOR	CARPET		4" RUBBER	YVC	2x2 ACOUSTICAL TILE	8'-0"	
109 BUSINESS OFFICE	CARPET		4" RUBBER	YVC	2x2 ACOUSTICAL TILE	8'-0"	
110 NURSE	CARPET		4" RUBBER	YVC	2x2 ACOUSTICAL TILE	8'-0"	
111 EXAM	CARPET		4" RUBBER	YVC	2x2 ACOUSTICAL TILE	8'-0"	
112 OFFICE	CARPET		4" RUBBER	YVC	2x2 ACOUSTICAL TILE	8'-0"	
113 EXAM	CARPET		4" RUBBER	YVC	2x2 ACOUSTICAL TILE	8'-0"	
114 EXAM	CARPET		4" RUBBER	YVC	2x2 ACOUSTICAL TILE	8'-0"	
115 NURSE	CARPET		4" RUBBER	YVC	2x2 ACOUSTICAL TILE	8'-0"	
116 EXAM	CARPET		4" RUBBER	YVC	2x2 ACOUSTICAL TILE	8'-0"	
117 OFFICE	CARPET		4" RUBBER	YVC	2x2 ACOUSTICAL TILE	8'-0"	
118 EXAM	CARPET		4" RUBBER	YVC	2x2 ACOUSTICAL TILE	8'-0"	
119 EXAM	CARPET		4" RUBBER	YVC	2x2 ACOUSTICAL TILE	8'-0"	
120 NURSE	CARPET		4" RUBBER	YVC	2x2 ACOUSTICAL TILE	8'-0"	
121 EXAM	CARPET		4" RUBBER	YVC	2x2 ACOUSTICAL TILE	8'-0"	
122 OFFICE	CARPET		4" RUBBER	YVC	2x2 ACOUSTICAL TILE	8'-0"	
123 EXAM	CARPET		4" RUBBER	YVC	2x2 ACOUSTICAL TILE	8'-0"	
124 EXAM	CARPET		4" RUBBER	YVC	2x2 ACOUSTICAL TILE	8'-0"	
125 STAIR	CARPET		4" RUBBER	YVC	2x2 ACOUSTICAL TILE	NA	
126 CORRIDOR	CARPET		4" RUBBER	YVC	2x2 ACOUSTICAL TILE	8'-0"	
127 DRUGS	SHEET VINYL		4" RUBBER	YVC	2x2 ACOUSTICAL TILE	8'-0"	
128 NURSE	CARPET		4" RUBBER	YVC	2x2 ACOUSTICAL TILE	8'-0"	
129 EXAM	CARPET		4" RUBBER	YVC	2x2 ACOUSTICAL TILE	8'-0"	
130 OFFICE	CARPET		4" RUBBER	YVC	2x2 ACOUSTICAL TILE	8'-0"	
131 EXAM	CARPET		4" RUBBER	YVC	2x2 ACOUSTICAL TILE	8'-0"	
132 EXAM	CARPET		4" RUBBER	YVC	2x2 ACOUSTICAL TILE	8'-0"	
133 CORRIDOR	CARPET		4" RUBBER	YVC	2x2 ACOUSTICAL TILE	8'-0"	
134 NURSE	CARPET		4" RUBBER	YVC	2x2 ACOUSTICAL TILE	8'-0"	
135 EXAM	CARPET		4" RUBBER	YVC	2x2 ACOUSTICAL TILE	8'-0"	
136 OFFICE	CARPET		4" RUBBER	YVC	2x2 ACOUSTICAL TILE	8'-0"	
137 EXAM	CARPET		4" RUBBER	YVC	2x2 ACOUSTICAL TILE	8'-0"	
138 EXAM	CARPET		4" RUBBER	YVC	2x2 ACOUSTICAL TILE	8'-0"	
139 PROCEDURE	SHEET VINYL		4" RUBBER	YVC	2x2 ACOUSTICAL TILE	8'-0"	
140 NURSE	CARPET		4" RUBBER	YVC	2x2 ACOUSTICAL TILE	8'-0"	
141 EXAM	CARPET		4" RUBBER	YVC	2x2 ACOUSTICAL TILE	8'-0"	
142 EXAM	CARPET		4" RUBBER	YVC	2x2 ACOUSTICAL TILE	8'-0"	
143 OFFICE	CARPET		4" RUBBER	YVC	2x2 ACOUSTICAL TILE	8'-0"	
144 EXAM	CARPET		4" RUBBER	YVC	2x2 ACOUSTICAL TILE	8'-0"	
145 BUSINESS OFFICE	CARPET		4" RUBBER	YVC	2x2 ACOUSTICAL TILE	8'-0"	
146 OFFICE	CARPET		4" RUBBER	YVC	2x2 ACOUSTICAL TILE	8'-0"	
147 BUSINESS OFFICE	CARPET		4" RUBBER	YVC	2x2 ACOUSTICAL TILE	8'-0"	
148 CHARTS	CARPET		4" RUBBER	YVC	EXPOSED STRUCTURE	NA	
149 STAIR	CARPET		4" RUBBER	YVC	2x2 ACOUSTICAL TILE	8'-0"	
150 PHLEB	SHEET VINYL		4" RUBBER	YVC	2x2 ACOUSTICAL TILE	8'-0"	
151 LAB	SHEET VINYL		4" RUBBER	YVC	2x2 ACOUSTICAL TILE	8'-0"	
152 PATIENT TOILET	SHEET VINYL		4" RUBBER	YVC	2x2 ACOUSTICAL TILE	8'-0"	
153 STAFF TOILET	SHEET VINYL		4" RUBBER	YVC	2x2 ACOUSTICAL TILE	8'-0"	
154 X-RAY	SHEET VINYL		4" RUBBER	YVC	2x2 ACOUSTICAL TILE	8'-0"	
155 DEVELOPING	SHEET VINYL		4" RUBBER	YVC	2x2 ACOUSTICAL TILE	8'-0"	
156 PATIENT TOILET	SHEET VINYL		4" RUBBER	YVC	2x2 ACOUSTICAL TILE	8'-0"	
157 EXAM	CARPET		4" RUBBER	YVC	2x2 ACOUSTICAL TILE	8'-0"	

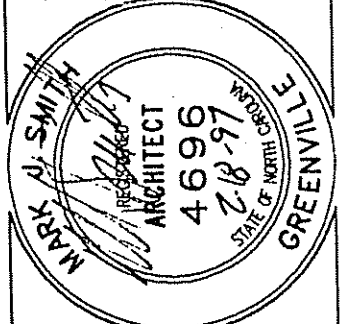
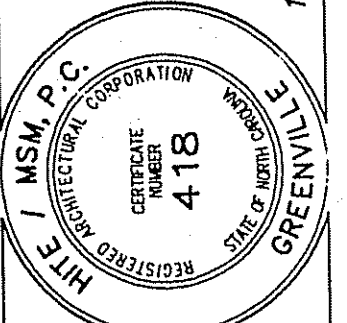


**403 DOOR ELEVATIONS**  
SCALE: 1/4" = 1'-0"

**402 CANOPY COLUMN DETAIL**  
SCALE: 1" = 1'-0"

**401 FLOOR PLAN**  
SCALE: 1/8" = 1'-0"

**Hite/MSM, P.C.**  
ENGINEERS ARCHITECTS  
1530 East Fourteenth Street / Greenville, N.C. 27858 / tel (919) 757-0333



NEW OFFICE BUILDING FOR  
**ATLANTIC FAMILY PHYSICIANS**  
T. A. LOVING CONSTRUCTION COMPANY  
GOLDSBORO / WAYNE COUNTY / NORTH CAROLINA

Date 15 JANUARY 1997  
Revisions 14 FEBRUARY 1997

Drawing no.

**A-4**

### ROOM FINISH SCHEDULE

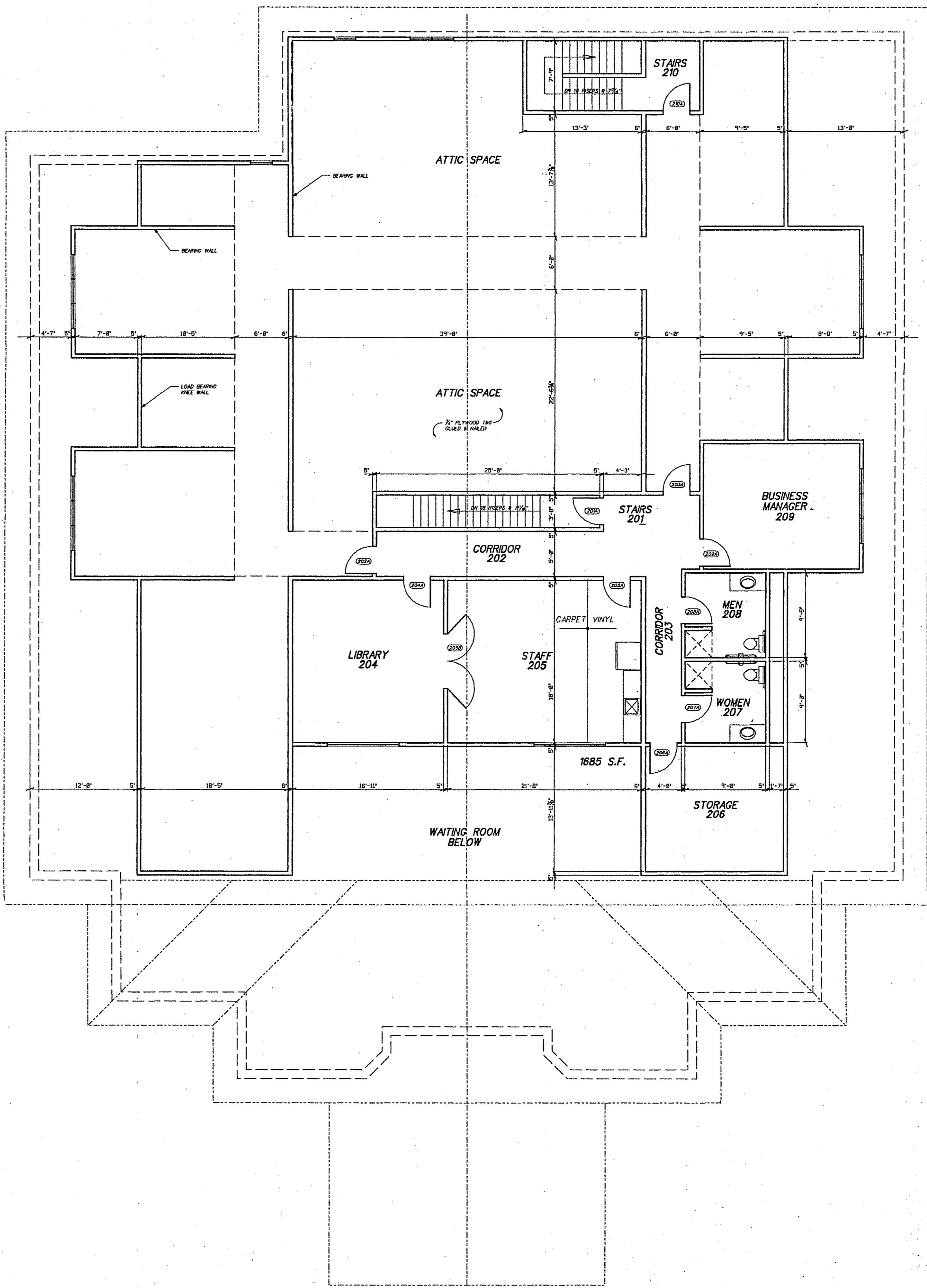
MARK AREA	FLOOR	COLOR	BASE COLOR	WALLS COLOR	CEILING	CLG HT	REMARKS
201 STAIRS	CARPET		4" RUBBER	PAINT	2x2 ACOUSTICAL TILE	8'-0"	
202 CORRIDOR	CARPET		4" RUBBER	PAINT	2x2 ACOUSTICAL TILE	8'-0"	
203 CORRIDOR	CARPET		4" RUBBER	PAINT	2x2 ACOUSTICAL TILE	8'-0"	
204 LIBRARY	CARPET		4" RUBBER	PAINT	2x2 ACOUSTICAL TILE	8'-0"	
205 STAFF	CARPET/SHEET VINYL		4" RUBBER	PAINT	2x2 ACOUSTICAL TILE	8'-0"	
206 STORAGE	EXPOSED PLYWOOD		NONE	NONE	EXPOSED STRUCTURE	NA	
207 WOMENS TOILET	SHEET VINYL		NONE	PAINT	2x2 ACOUSTICAL TILE	8'-0"	
208 MENS TOILET	SHEET VINYL		NONE	PAINT	2x2 ACOUSTICAL TILE	8'-0"	
209 BUSINESS MANAGER	CARPET		4" RUBBER	PAINT	2x2 ACOUSTICAL TILE	8'-0"	
210 STAIRS	CARPET		4" RUBBER	PAINT	2x2 ACOUSTICAL TILE	8'-0"	
ATTIC SPACE	EXPOSED PLYWOOD		NONE	NONE	EXPOSED STRUCTURE	NA	

### DOOR SCHEDULE

MARK	SIZE	TYPE	DESCRIPTION	FRAME	LABEL	HARDWARE	REMARKS
202A	1.75 x 3070	WD-1	SOLID CORE FLUSH WOOD	5/8" STEEL			
202B	1.75 x 3070	WD-1	SOLID CORE FLUSH WOOD	5/8" STEEL			
202C	1.75 x 3070	WD-1	SOLID CORE FLUSH WOOD	5/8" STEEL			
202D	1.75 x 3070	WD-1	SOLID CORE FLUSH WOOD	5/8" STEEL			
202E	1.75 x 3070	WD-1	SOLID CORE FLUSH WOOD	5/8" STEEL			
202F	1.75 x 3070	WD-1	SOLID CORE FLUSH WOOD	5/8" STEEL			
202G	1.75 x 3070	WD-1	SOLID CORE FLUSH WOOD	5/8" STEEL			
202H	1.75 x 3070	WD-1	SOLID CORE FLUSH WOOD	5/8" STEEL			
202I	1.75 x 3070	WD-1	SOLID CORE FLUSH WOOD	5/8" STEEL			
210A	1.75 x 3070	WD-1	GOLD CORE FLUSH WOOD	5/8" STEEL	1 HR "B"		

### DOOR SCHEDULE

MARK	SIZE	TYPE	DESCRIPTION	FRAME	LABEL	HARDWARE	REMARKS
010A	1.75 x 3070	AL-1	GLASS/ALUM.	1/2" ALUM			HARDWARE BY DOOR MFR.
010B	1.75 x 3070	AL-1	GLASS/ALUM.	1/2" ALUM			HARDWARE BY DOOR MFR.
010C	1.75 x 3070	WD-1	SOLID CORE FLUSH WOOD	5/8" STEEL			
010D	1.75 x 3070	WD-1	SOLID CORE FLUSH WOOD	5/8" STEEL			
010E	1.75 x 3070	WD-1	SOLID CORE FLUSH WOOD	5/8" STEEL			
010F	1.75 x 3070	WD-1	SOLID CORE FLUSH WOOD	5/8" STEEL	1 HR "B"		
010G	1.75 x 3070	WD-2	SOLID CORE FLUSH WOOD	5/8" STEEL			
010H	1.75 x 3070	WD-2	SOLID CORE FLUSH WOOD	5/8" STEEL			
010I	1.75 x 3070	WD-1	SOLID CORE FLUSH WOOD	5/8" STEEL			
010J	1.75 x 3070	WD-1	SOLID CORE FLUSH WOOD	5/8" STEEL			
010K	1.75 x 3070	WD-1	SOLID CORE FLUSH WOOD	5/8" STEEL			
010L	1.75 x 3070	WD-1	SOLID CORE FLUSH WOOD	5/8" STEEL			
010M	1.75 x 3070	WD-1	SOLID CORE FLUSH WOOD	5/8" STEEL			
010N	1.75 x 3070	WD-1	SOLID CORE FLUSH WOOD	5/8" STEEL			
010O	1.75 x 3070	WD-1	SOLID CORE FLUSH WOOD	5/8" STEEL			
010P	1.75 x 3070	WD-1	SOLID CORE FLUSH WOOD	5/8" STEEL			
010Q	1.75 x 3070	WD-1	SOLID CORE FLUSH WOOD	5/8" STEEL			
010R	1.75 x 3070	WD-1	SOLID CORE FLUSH WOOD	5/8" STEEL			
010S	1.75 x 3070	WD-1	SOLID CORE FLUSH WOOD	5/8" STEEL			
010T	1.75 x 3070	WD-1	SOLID CORE FLUSH WOOD	5/8" STEEL			
010U	1.75 x 3070	WD-1	SOLID CORE FLUSH WOOD	5/8" STEEL			
010V	1.75 x 3070	WD-1	SOLID CORE FLUSH WOOD	5/8" STEEL			
010W	1.75 x 3070	WD-1	SOLID CORE FLUSH WOOD	5/8" STEEL			
010X	1.75 x 3070	WD-1	SOLID CORE FLUSH WOOD	5/8" STEEL			
010Y	1.75 x 3070	WD-1	SOLID CORE FLUSH WOOD	5/8" STEEL			
010Z	1.75 x 3070	WD-1	SOLID CORE FLUSH WOOD	5/8" STEEL			
010AA	1.75 x 3070	WD-1	SOLID CORE FLUSH WOOD	5/8" STEEL			
010AB	1.75 x 3070	WD-1	SOLID CORE FLUSH WOOD	5/8" STEEL			
010AC	1.75 x 3070	WD-1	SOLID CORE FLUSH WOOD	5/8" STEEL			
010AD	1.75 x 3070	WD-1	SOLID CORE FLUSH WOOD	5/8" STEEL			
010AE	1.75 x 3070	WD-1	SOLID CORE FLUSH WOOD	5/8" STEEL			
010AF	1.75 x 3070	WD-1	SOLID CORE FLUSH WOOD	5/8" STEEL			
010AG	1.75 x 3070	WD-1	SOLID CORE FLUSH WOOD	5/8" STEEL			
010AH	1.75 x 3070	WD-1	SOLID CORE FLUSH WOOD	5/8" STEEL			
010AI	1.75 x 3070	WD-1	SOLID CORE FLUSH WOOD	5/8" STEEL			
010AJ	1.75 x 3070	WD-1	SOLID CORE FLUSH WOOD	5/8" STEEL			
010AK	1.75 x 3070	WD-1	SOLID CORE FLUSH WOOD	5/8" STEEL			
010AL	1.75 x 3070	WD-1	SOLID CORE FLUSH WOOD	5/8" STEEL			
010AM	1.75 x 3070	WD-1	SOLID CORE FLUSH WOOD	5/8" STEEL			
010AN	1.75 x 3070	WD-1	SOLID CORE FLUSH WOOD	5/8" STEEL			
010AO	1.75 x 3070	WD-1	SOLID CORE FLUSH WOOD	5/8" STEEL			
010AP	1.75 x 3070	WD-1	SOLID CORE FLUSH WOOD	5/8" STEEL			
010AQ	1.75 x 3070	WD-1	SOLID CORE FLUSH WOOD	5/8" STEEL			
010AR	1.75 x 3070	WD-1	SOLID CORE FLUSH WOOD	5/8" STEEL			
010AS	1.75 x 3070	WD-1	SOLID CORE FLUSH WOOD	5/8" STEEL			
010AT	1.75 x 3070	WD-1	SOLID CORE FLUSH WOOD	5/8" STEEL			
010AU	1.75 x 3070	WD-1	SOLID CORE FLUSH WOOD	5/8" STEEL			
010AV	1.75 x 3070	WD-1	SOLID CORE FLUSH WOOD	5/8" STEEL			
010AW	1.75 x 3070	WD-1	SOLID CORE FLUSH WOOD	5/8" STEEL			
010AX	1.75 x 3070	WD-1	SOLID CORE FLUSH WOOD	5/8" STEEL			
010AY	1.75 x 3070	WD-1	SOLID CORE FLUSH WOOD	5/8" STEEL			
010AZ	1.75 x 3070	WD-1	SOLID CORE FLUSH WOOD	5/8" STEEL			



501 SECOND FLOOR PLAN  
SCALE: 1/8" = 1'-0"

**Hite/MSM, P.C.**  
ARCHITECTS ENGINEERS PLANNERS  
1550 East Fourteenth Street / Greenville, N.C. 27838 / Tel (919) 757-0333

REGISTERED PROFESSIONAL CORPORATION  
STATE OF NORTH CAROLINA  
CORPORATE NUMBER  
**418**  
GREENVILLE, N.C.

REGISTERED PROFESSIONAL ARCHITECT  
STATE OF NORTH CAROLINA  
ARCHITECT NUMBER  
**4696**  
GREENVILLE, N.C.

NEW OFFICE BUILDING FOR  
**ATLANTIC FAMILY PHYSICIANS**  
T.A. LOVING CONSTRUCTION COMPANY  
GOLDSBORO / WAYNE COUNTY / NORTH CAROLINA

Date: 15 JANUARY 1997  
Revisions: 14 FEBRUARY 1997

Drawing no. **A-5**