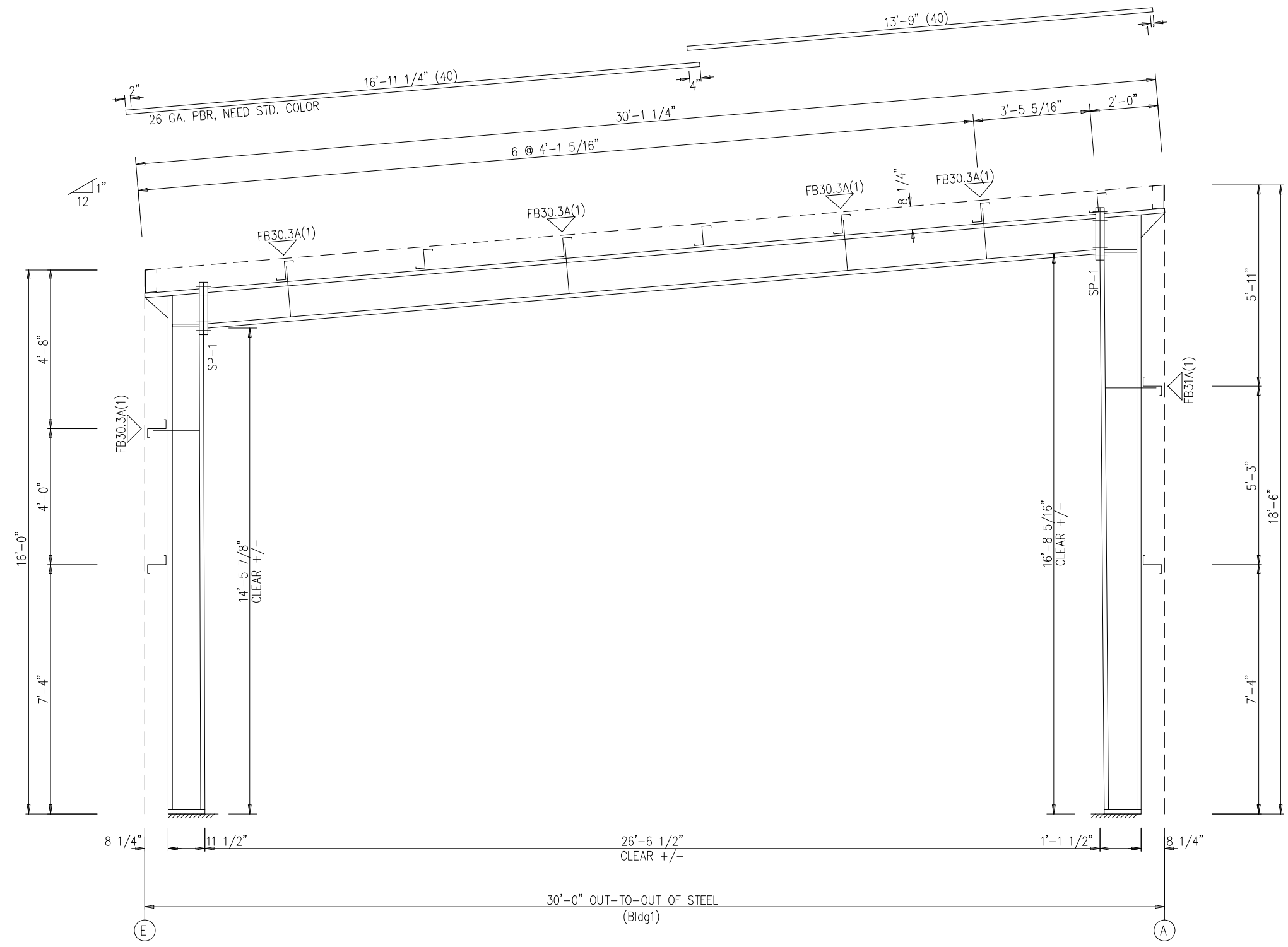


SPLICE BOLT TABLE						
Mark	Qty		Int	Type	Dia	Length
	Top	Bot				
SP-1	4	4	0	A325	5/8"	2"

▽ FLANGE BRACES: FBxx (1 or 2)
 xx=length(in)
 (1) One Side; (2) Two Sides
 A - 2X2X14Ga



RIGID FRAME ELEVATION: FRAME LINE 2 3 4 5 6

ISSUE	DATE	DWN.	CHK.	ENG.

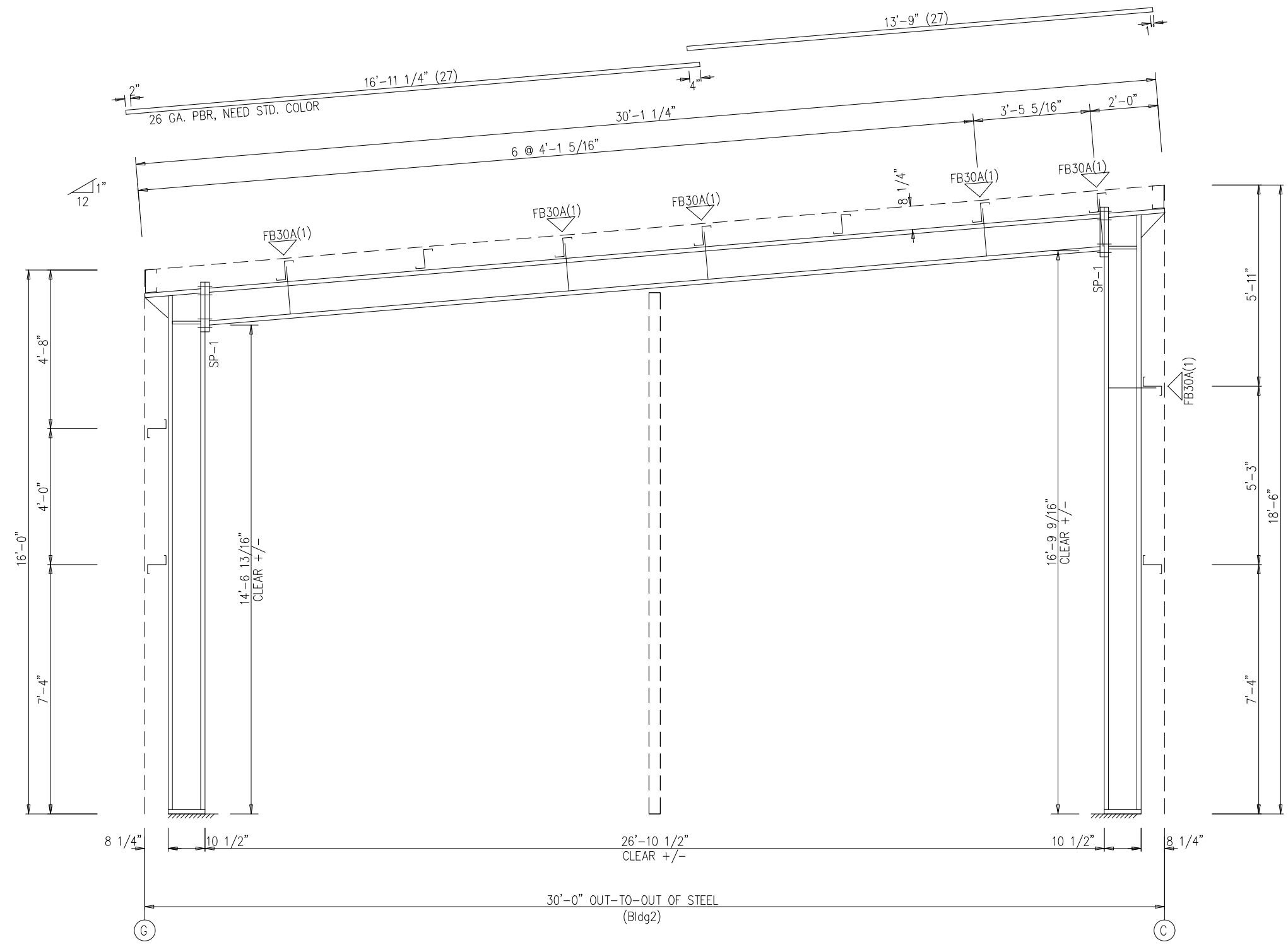
3033 S. PARKER RD 12 FLOOR
 AURORA, CO 80014
 PHONE: (800)-497-2135
 WWW.GREATWESTERNBUILDINGS.COM

CUSTOMER NAME:	DEALER
PROJECT NAME:	PROJECT
PROJECT LOCATION:	
PROJECT COUNTY:	
PROJECT END USE:	
CUSTOMER PHONE NUMBER:	
CUSTOMER EMAIL:	
SCALE:	N.T.S.
SHEET NUMBER:	OF
JOB NUMBER:	chadschampers20240411C
SHEET TITLE:	RIGID FRAME ELEVATION

THIS SEAL PERTAINS ONLY TO THE MATERIALS DESIGNED AND SUPPLIED BY GREAT WESTERN BUILDINGS. THE DRAWINGS AND THE METAL BUILDING WHICH THEY REPRESENT ARE THE PRODUCT OF GREAT WESTERN BUILDINGS. THE REGISTERED PROFESSIONAL ENGINEER WHOSE SEAL AND SIGNATURE APPEARS ON THESE DRAWINGS IS EMPLOYED BY GREAT WESTERN BUILDINGS AND DOES NOT SERVE AS OR REPRESENT THE OVERALL PROJECT ENGINEER OF RECORD AND SHALL NOT BE CONSTRUED AS SUCH.

SPLICE BOLT TABLE						
Mark	Qty		Int	Type	Dia	Length
	Top	Bot				
SP-1	4	4	0	A325	5/8"	1 3/4"

▽ FLANGE BRACES: FBxx (1 or 2)
 xx=length(in)
 (1) One Side; (2) Two Sides
 A - 2X2X14Ga



RIGID FRAME ELEVATION: FRAME LINE 7

ISSUE	DATE	DWN.	CHK.	ENG.
APPROVAL	_/_/23	MEZ	MEZ	RTS

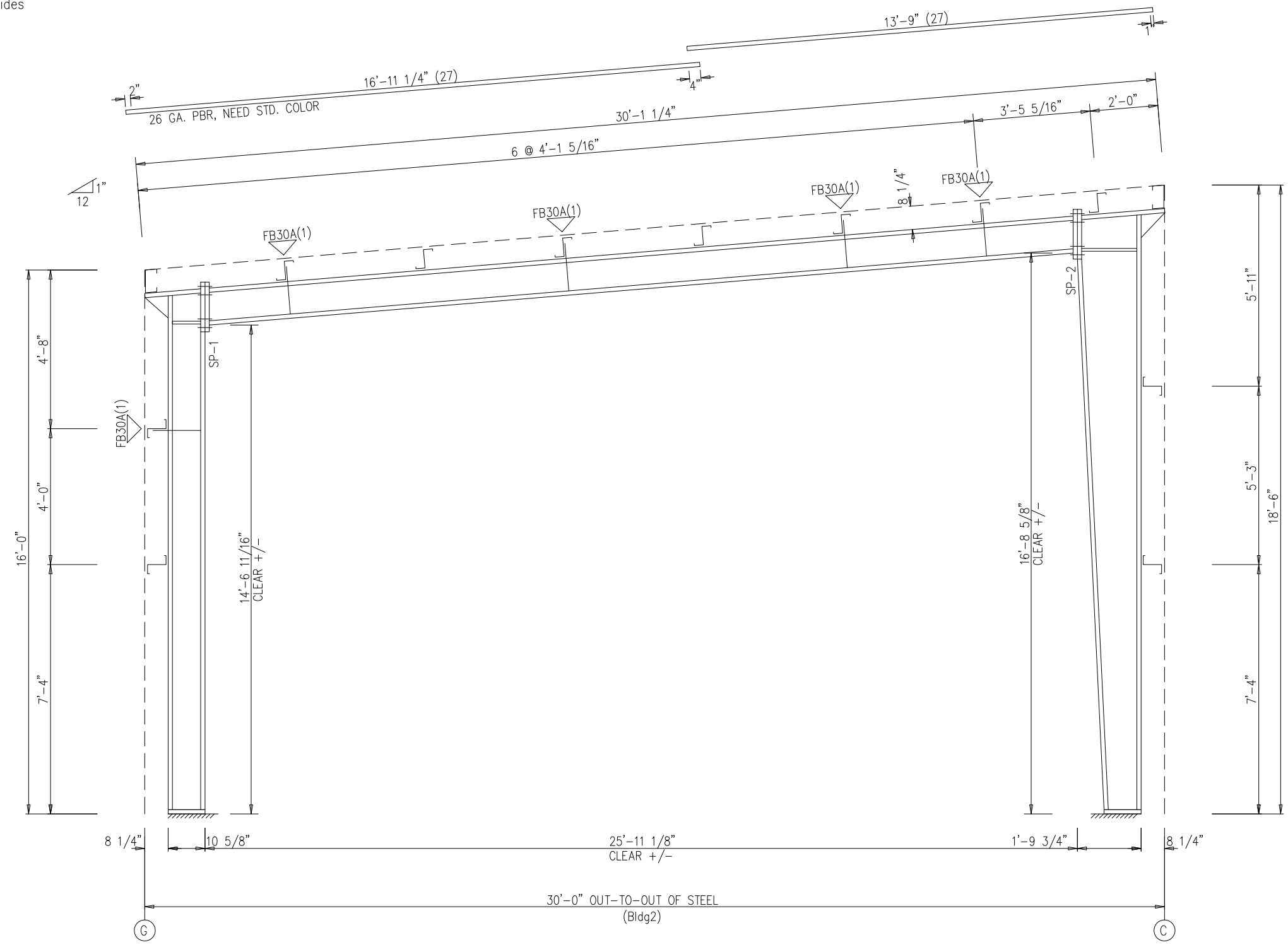
GWBB
 3033 S. PARKER RD 12 FLOOR
 AURORA, CO 80014
 PHONE: (800)-497-2135
 WWW.GREATWESTERNBUILDINGS.COM

CUSTOMER NAME:	DEALER
PROJECT NAME:	PROJECT
PROJECT LOCATION:	
PROJECT COUNTY:	
PROJECT END USE:	
CUSTOMER PHONE NUMBER:	
CUSTOMER EMAIL:	
SCALE:	N.T.S.
SHEET NUMBER:	OF
JOB NUMBER:	chadschampers20240411C
SHEET TITLE:	RIGID FRAME ELEVATION

THIS SEAL PERTAINS ONLY TO THE MATERIALS DESIGNED AND SUPPLIED BY GREAT WESTERN BUILDINGS. THE DRAWINGS AND THE METAL BUILDING WHICH THEY REPRESENT ARE THE PRODUCT OF GREAT WESTERN BUILDINGS. THE REGISTERED PROFESSIONAL ENGINEER WHOSE SEAL AND SIGNATURE APPEARS ON THESE DRAWINGS IS EMPLOYED BY GREAT WESTERN BUILDINGS AND DOES NOT SERVE AS OR REPRESENT THE OVERALL PROJECT ENGINEER OF RECORD AND SHALL NOT BE CONSTRUED AS SUCH.

SPLICE BOLT TABLE						
Mark	Qty		Int	Type	Dia	Length
	Top	Bot				
SP-1	4	4	0	A325	5/8"	2 1/4"
SP-2	4	4	0	A325	5/8"	2"

▽ FLANGE BRACES: FBxx (1 or 2)
 xx=length(in)
 (1) One Side; (2) Two Sides
 A - 2X2X14Ga



RIGID FRAME ELEVATION: FRAME LINE 8 9 10

ISSUE	DATE	DWN.	CHK.	ENG.
APPROVAL	_/_/23	MEZ	MEZ	RTS

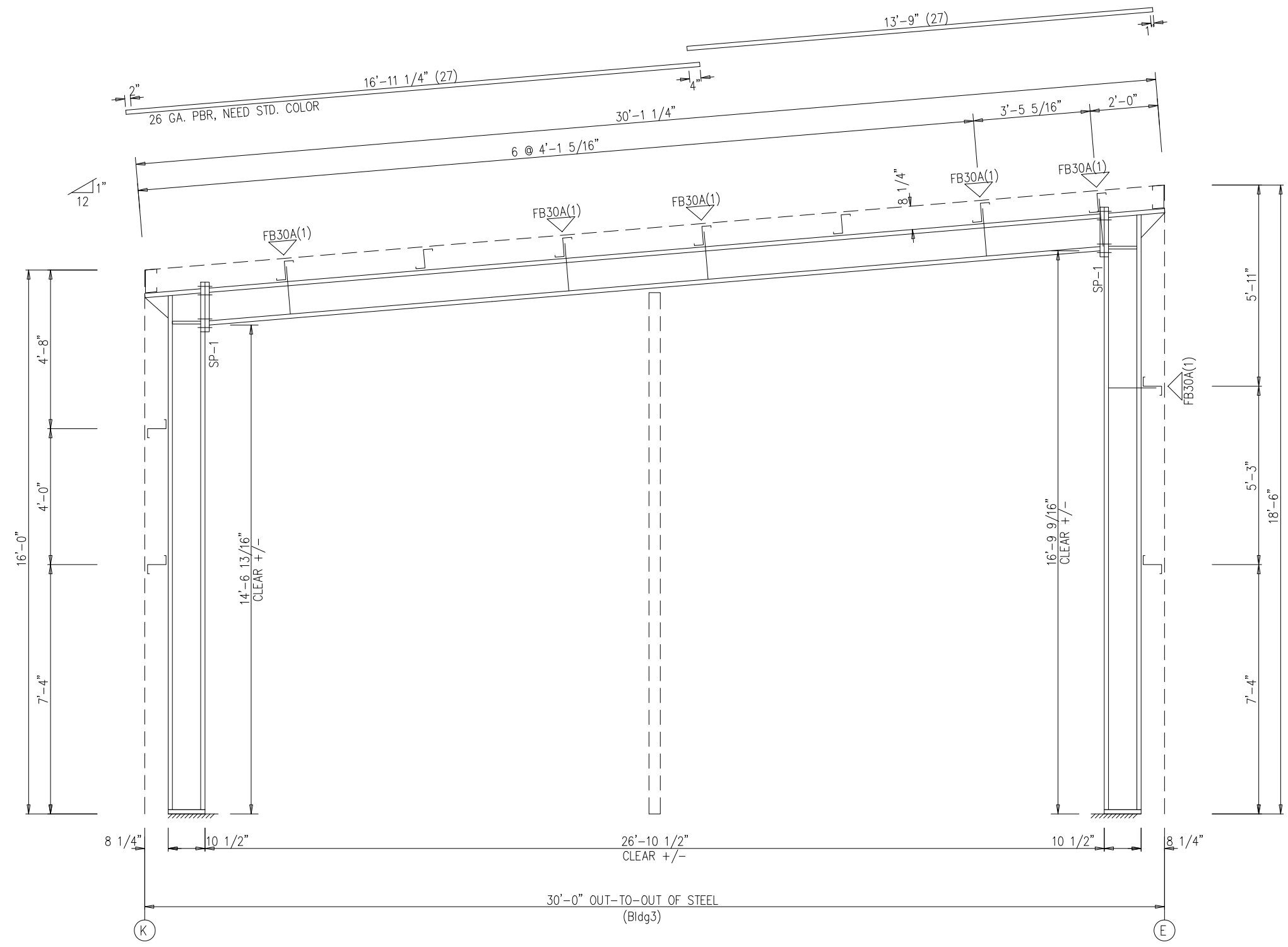
3033 S. PARKER RD 12 FLOOR
 AURORA, CO 80014
 PHONE: (800)-497-2135
 WWW.GREATWESTERNBUILDINGS.COM

CUSTOMER NAME:	DEALER
PROJECT NAME:	PROJECT
PROJECT LOCATION:	
PROJECT COUNTY:	
PROJECT END USE:	
CUSTOMER PHONE NUMBER:	
CUSTOMER EMAIL:	
SCALE:	N.T.S.
SHEET NUMBER:	OF
JOB NUMBER:	chadschampers20240411C
SHEET TITLE:	RIGID FRAME ELEVATION

THIS SEAL PERTAINS ONLY TO THE MATERIALS DESIGNED AND SUPPLIED BY GREAT WESTERN BUILDINGS. THE DRAWINGS AND THE METAL BUILDING WHICH THEY REPRESENT ARE THE PRODUCT OF GREAT WESTERN BUILDINGS. THE REGISTERED PROFESSIONAL ENGINEER WHOSE SEAL AND SIGNATURE APPEARS ON THESE DRAWINGS IS EMPLOYED BY GREAT WESTERN BUILDINGS AND DOES NOT SERVE AS OR REPRESENT THE OVERALL PROJECT ENGINEER OF RECORD AND SHALL NOT BE CONSTRUED AS SUCH.

SPLICE BOLT TABLE						
Mark	Qty		Int	Type	Dia	Length
	Top	Bot				
SP-1	4	4	0	A325	5/8"	1 3/4"

▽ FLANGE BRACES: FBxx (1 or 2)
 xx=length(in)
 (1) One Side; (2) Two Sides
 A - 2X2X14Ga



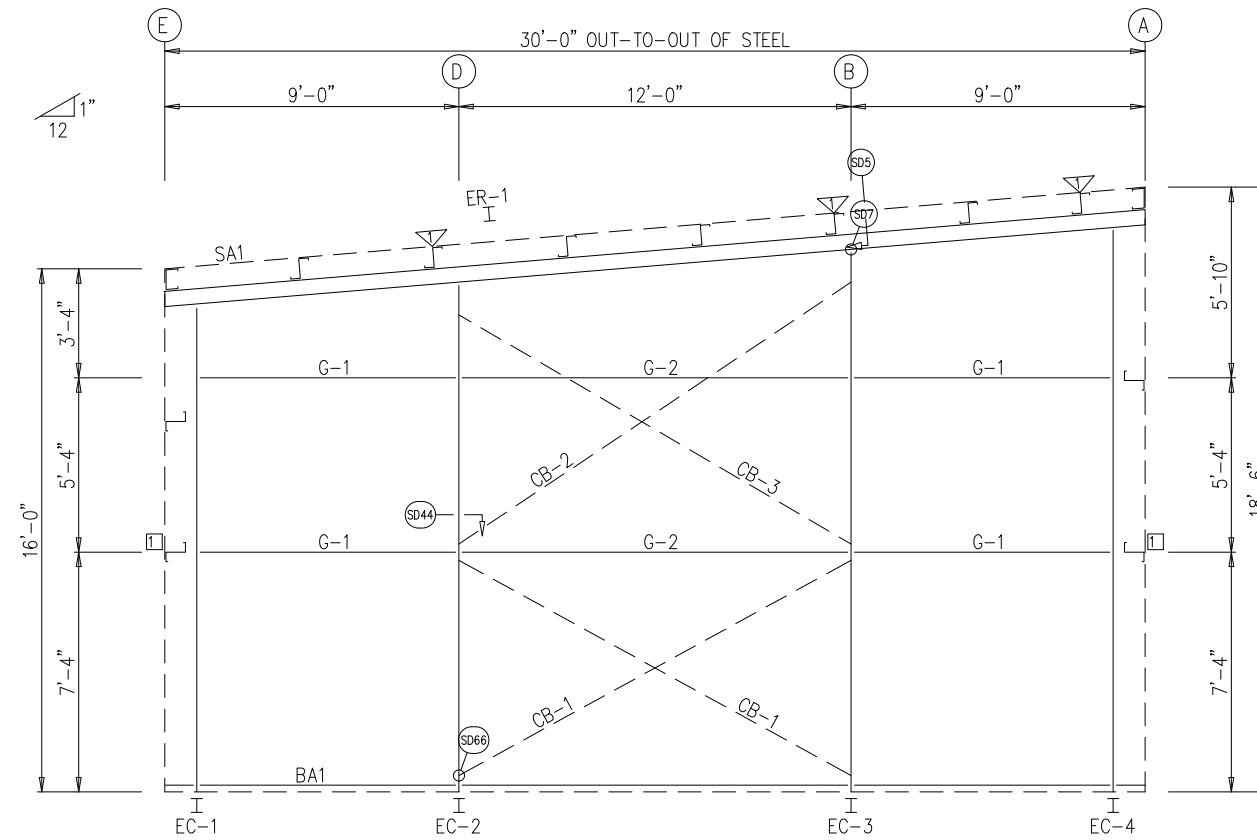
RIGID FRAME ELEVATION: FRAME LINE 11

ISSUE	DATE	DWN.	CHK.	ENG.
APPROVAL	_/_/23	MEZ	MEZ	RTS

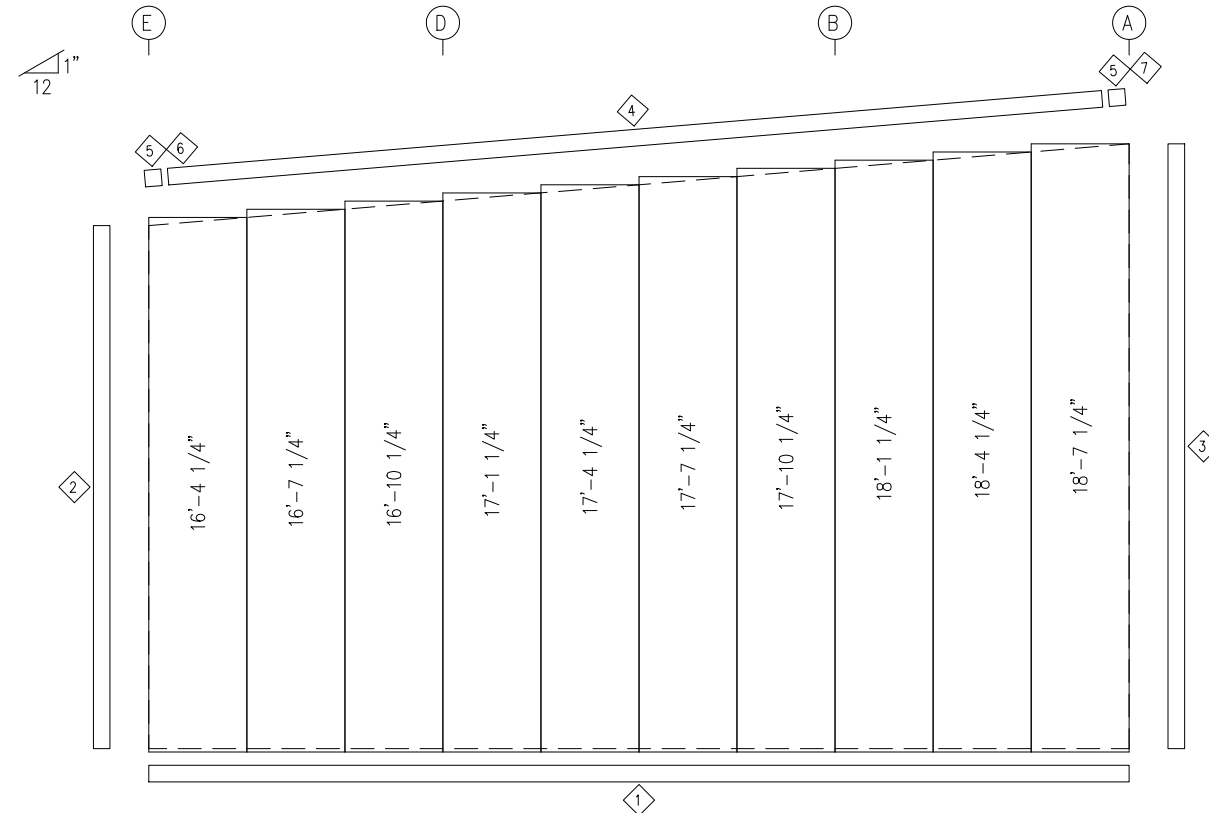
3033 S. PARKER RD 12 FLOOR
 AURORA, CO 80014
 PHONE: (800)-497-2135
 WWW.GREATWESTERNBUILDINGS.COM

CUSTOMER NAME:	DEALER
PROJECT NAME:	PROJECT
PROJECT LOCATION:	
PROJECT COUNTY:	
PROJECT END USE:	
CUSTOMER PHONE NUMBER:	
CUSTOMER EMAIL:	
SCALE:	N.T.S.
SHEET NUMBER:	OF
JOB NUMBER:	chadschampers20240411C
SHEET TITLE:	RIGID FRAME ELEVATION

THIS SEAL PERTAINS ONLY TO THE MATERIALS DESIGNED AND SUPPLIED BY GREAT WESTERN BUILDINGS. THE DRAWINGS AND THE METAL BUILDING WHICH THEY REPRESENT ARE THE PRODUCT OF GREAT WESTERN BUILDINGS. THE REGISTERED PROFESSIONAL ENGINEER WHOSE SEAL AND SIGNATURE APPEARS ON THESE DRAWINGS IS EMPLOYED BY GREAT WESTERN BUILDINGS AND DOES NOT SERVE AS OR REPRESENT THE OVERALL PROJECT ENGINEER OF RECORD AND SHALL NOT BE CONSTRUED AS SUCH.



ENDWALL FRAMING: FRAME LINE 1



ENDWALL SHEETING & TRIM: FRAME LINE 1
PANELS: 26 GA. PBR - NEED STD. COLOR

TRIM TABLE
FRAME LINE 1

ID	QUAN	PART	LENGTH	DETAIL
1	3	FL-60	10'-2"	TD74
2	1	FL-502	16'-0"	TD40
3	1	FL-502	18'-6"	TD40
4	3	FL-15	10'-6"	TD36
5	2	FL-601B	7 3/4"	TD85
6	1	FL-600L	5 5/8"	TD12
7	1	FL-600R	5 5/8"	TD12

BOLT TABLE
FRAME LINE 1

LOCATION	QUAN	TYPE	DIA	LENGTH
COLUMNS/RAFTER	2	A325	5/8"	1 1/2"

MEMBER TABLE
FRAME LINE 1

QUAN	MARK	PART	LENGTH
1	EC-1		
1	EC-2		
1	EC-3		
1	EC-4		
1	ER-1		
4	G-1		
2	G-2		
2	CB-1		
1	CB-2		
1	CB-3		

CONNECTION PLATES
FRAME LINE 1

ID	QUAN	MARK
1	2	CL-5

FLANGE BRACE TABLE
FRAME LINE 1

ID	QUAN	MARK
1	1	FB29.3

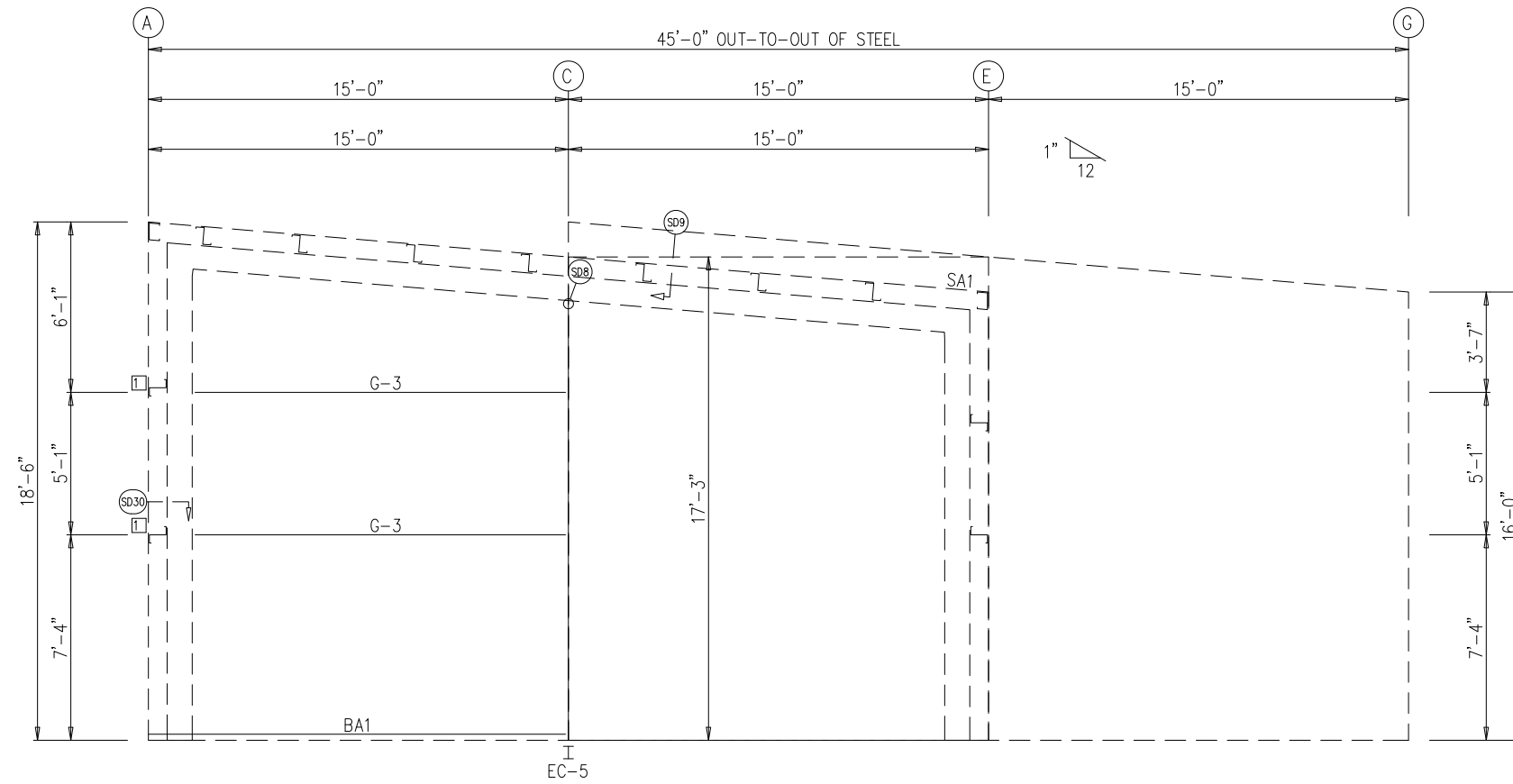
DATE	DWN.	CHK.	ENG.
1/1/23			

3033 S. PARKER RD 12 FLOOR
AURORA, CO 80014
PHONE: (800)-497-2135
WWW.GREATWESTERNBUILDINGS.COM

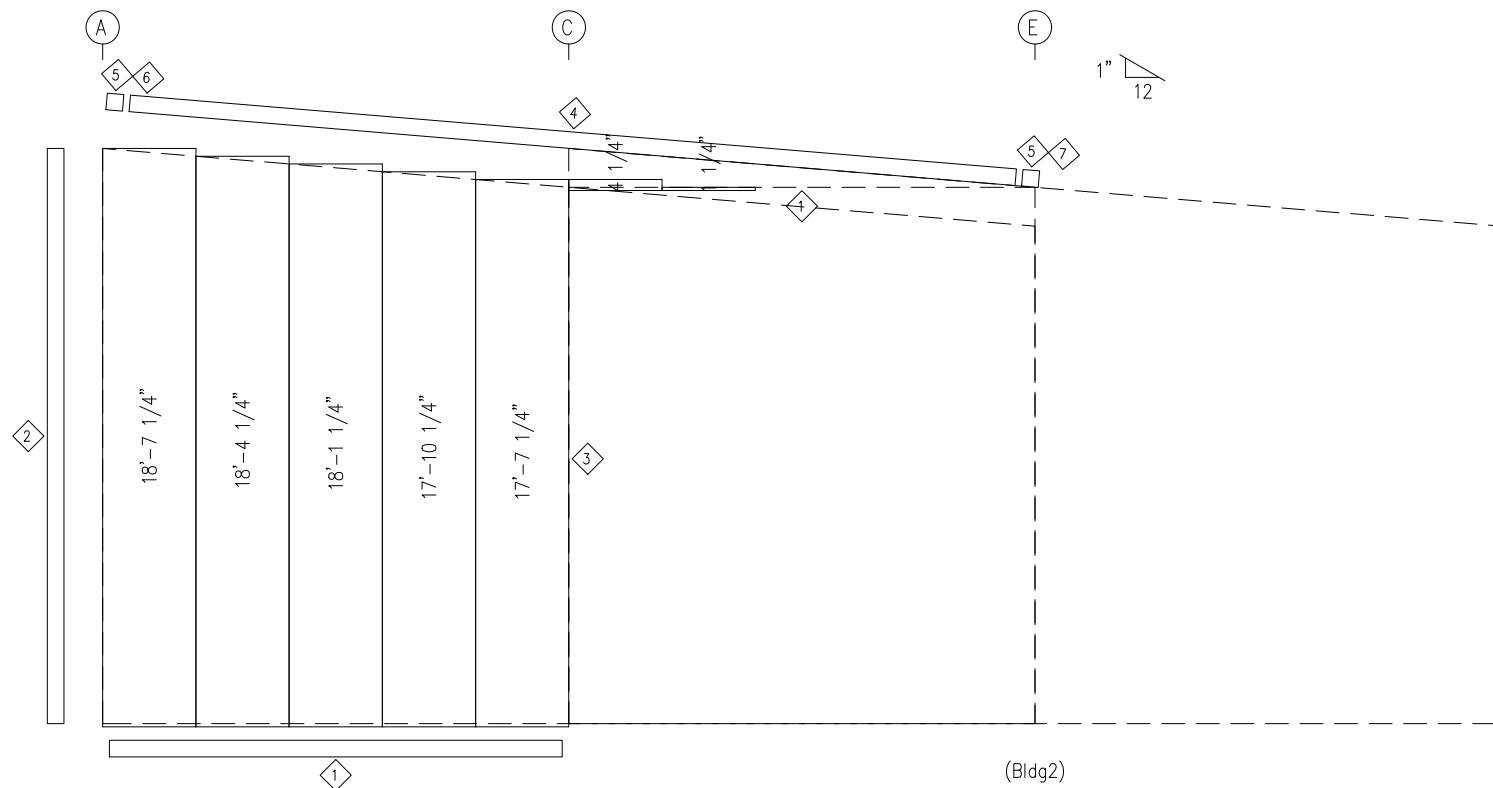
CUSTOMER NAME:	DEALER
PROJECT NAME:	PROJECT
PROJECT LOCATION:	
PROJECT COUNTY:	
PROJECT END USE:	
CUSTOMER PHONE NUMBER:	
CUSTOMER EMAIL:	
SCALE:	N.T.S.
SHEET NUMBER:	OF
JOB NUMBER:	
SHEET TITLE:	chadschampers20240411C

THIS SEAL PERTAINS ONLY TO THE MATERIALS DESIGNED AND SUPPLIED BY GREAT WESTERN BUILDINGS. THE DRAWINGS AND THE METAL BUILDING WHICH THEY REPRESENT ARE THE PRODUCT OF GREAT WESTERN BUILDINGS. THE REGISTERED PROFESSIONAL ENGINEER WHOSE SEAL AND SIGNATURE APPEARS ON THESE DRAWINGS IS EMPLOYED BY GREAT WESTERN BUILDINGS AND DOES NOT SERVE AS OR REPRESENT THE OVERALL PROJECT ENGINEER OF RECORD AND SHALL NOT BE CONSTRUED AS SUCH.

WALL FRAMING & SHEETING



ENDWALL FRAMING: FRAME LINE 7



ENDWALL SHEETING & TRIM: FRAME LINE 7

PANELS: 26 GA. PBR - NEED STD. COLOR
 (Bldg2) PANELS: 26 GA. PBR - NEED STD. COLOR

TRIM TABLE
 FRAME LINE 7

ID	QUAN	PART	LENGTH	DETAIL
1	4	FL-60	10'-2"	TD74
2	1	FL-502	18'-6"	TD40
3	1	FL-48	17'-6"	TD36
4	4	FL-15	11'-8"	TD36
5	2	FL-601B	7 3/4"	TD85
6	1	FL-600L	5 5/8"	TD12
7	1	FL-600R	5 5/8"	TD12

BOLT TABLE
 FRAME LINE 7

LOCATION	QUAN	TYPE	DIA	LENGTH
COLUMNS/RAFTER	2	A325	5/8"	1 1/2"
COLUMNS/RAFTER	2	A325	5/8"	1 1/2"

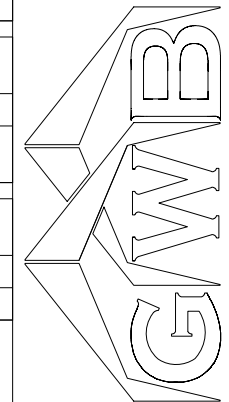
MEMBER TABLE
 FRAME LINE 7

QUAN	MARK	PART	LENGTH
1	EC-5		
2	G-3		

CONNECTION PLATES
 FRAME LINE 7

ID	QUAN	MARK
1	2	4X25Z16

ISSUE	APPROVAL	DATE	DWN.	CHK.	ENG.
		//23			

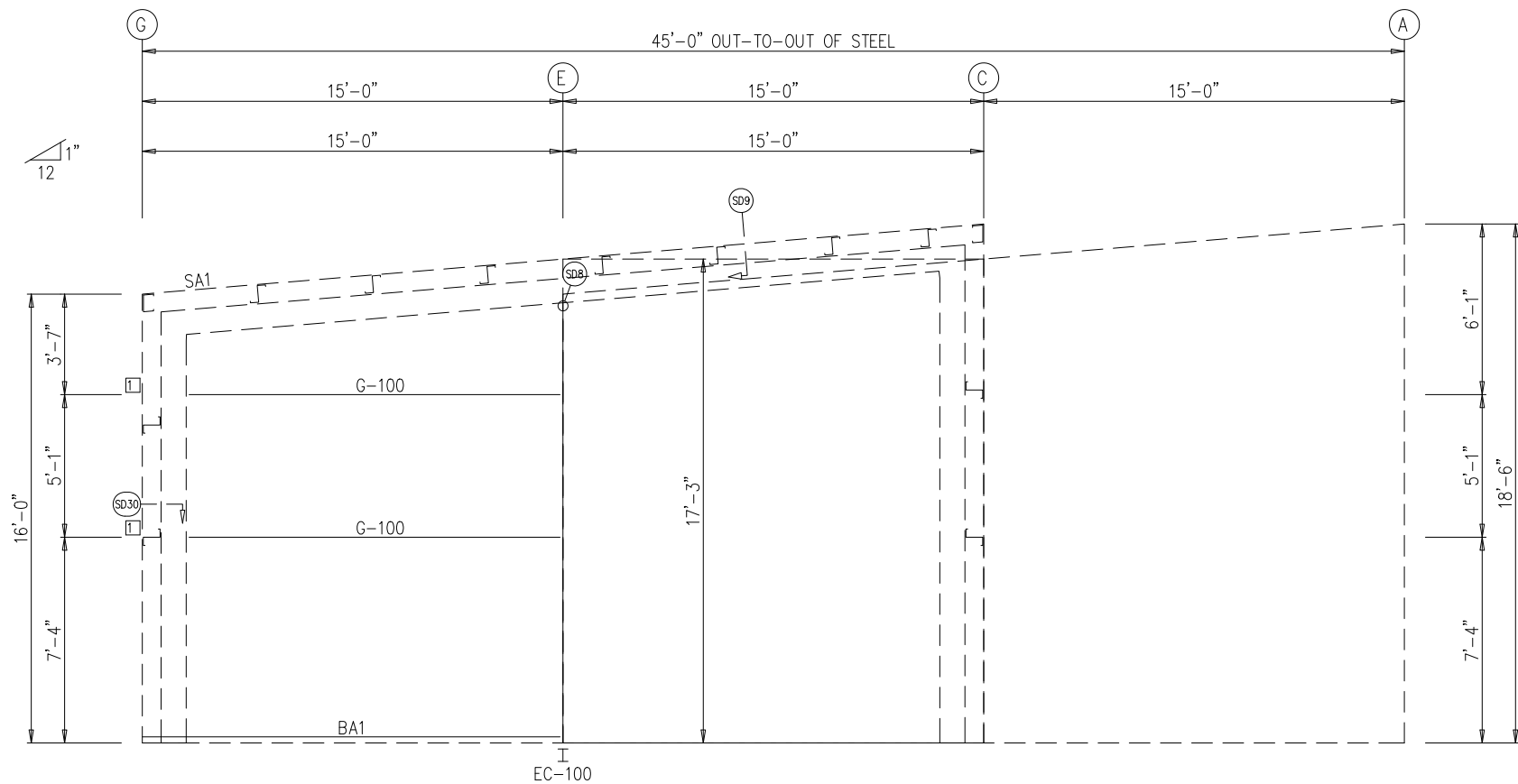


3033 S. PARKER RD 12 FLOOR
 AURORA, CO 80014
 PHONE: (800)-497-2135
 WWW.GREATWESTERNBUILDINGS.COM

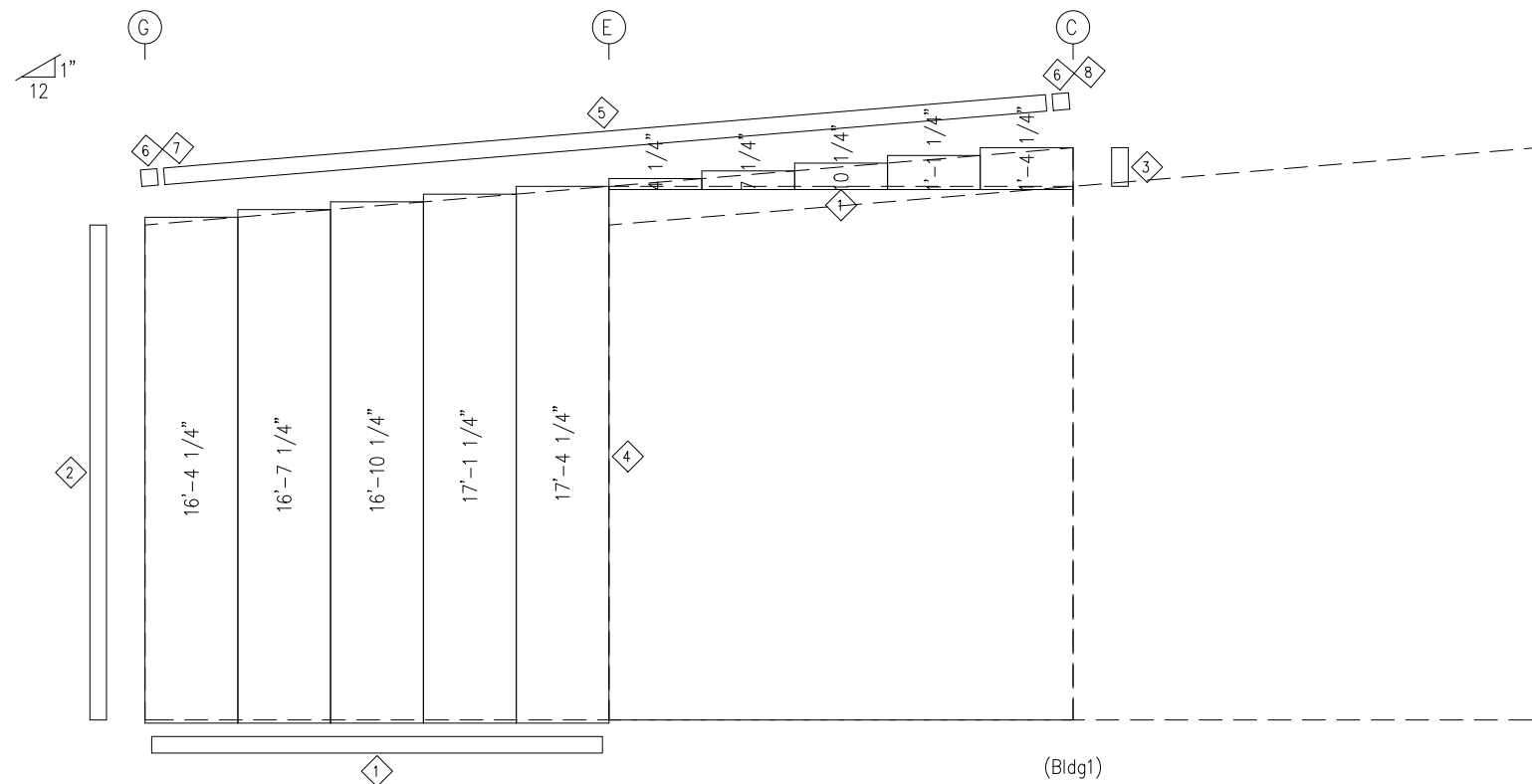
CUSTOMER NAME:	DEALER
PROJECT NAME:	PROJECT
PROJECT LOCATION:	
PROJECT COUNTY:	
PROJECT END USE:	
CUSTOMER PHONE NUMBER:	
CUSTOMER EMAIL:	
SCALE:	N.T.S.
SHEET NUMBER:	OF
JOB NUMBER:	
SHEET TITLE:	chadschampers20240411C

WALL FRAMING & SHEETING

THIS SEAL PERTAINS ONLY TO THE MATERIALS DESIGNED AND SUPPLIED BY GREAT WESTERN BUILDINGS. THE DRAWINGS AND THE METAL BUILDING WHICH THEY REPRESENT ARE THE PRODUCT OF GREAT WESTERN BUILDINGS. THE REGISTERED PROFESSIONAL ENGINEER WHOSE SEAL AND SIGNATURE APPEARS ON THESE DRAWINGS IS EMPLOYED BY GREAT WESTERN BUILDINGS AND DOES NOT SERVE AS OR REPRESENT THE OVERALL PROJECT ENGINEER OF RECORD AND SHALL NOT BE CONSTRUED AS SUCH.



ENDWALL FRAMING: FRAME LINE 7



ENDWALL SHEETING & TRIM: FRAME LINE 7

PANELS: 26 GA. PBR - NEED STD. COLOR
 (Bldg1) PANELS: 26 GA. PBR - NEED STD. COLOR

TRIM TABLE
 FRAME LINE 7

ID	QUAN	PART	LENGTH	DETAIL
1	4	FL-60	10'-2"	TD74
2	1	FL-10	16'-0"	TD40
3	1	FL-10	1'-3"	TD40
4	1	FL-48	17'-6"	TD36
5	3	FL-15	10'-6"	TD36
6	2	FL-601B	7 3/4"	TD85
7	1	FL-600L	5 5/8"	TD12
8	1	FL-600R	5 5/8"	TD12

BOLT TABLE
 FRAME LINE 7

LOCATION	QUAN	TYPE	DIA	LENGTH
COLUMNS/RAFTER	2	A325	5/8"	1 1/2"
COLUMNS/RAFTER	2	A325	5/8"	1 1/2"

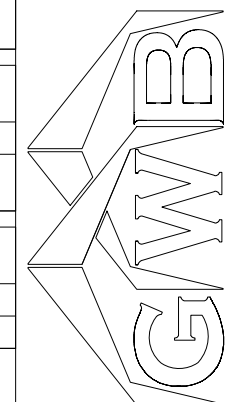
MEMBER TABLE
 FRAME LINE 7

QUAN	MARK	PART	LENGTH
1	EC-100		
2	G-100		

CONNECTION PLATES
 FRAME LINE 7

ID	QUAN	MARK
1	2	4X25Z16

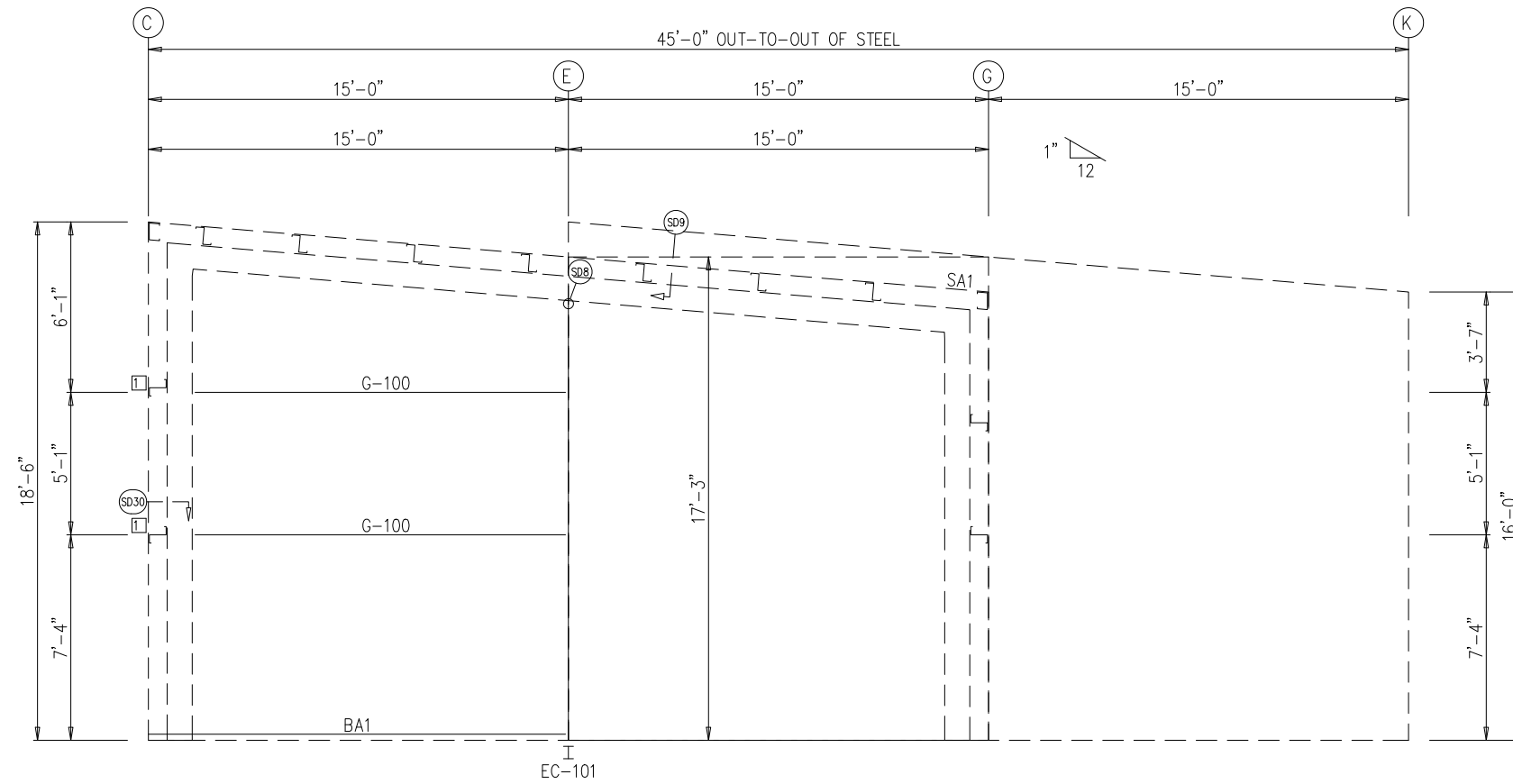
ISSUE	APPROVAL	DATE	DWN.	CHK.	ENG.
		//23			



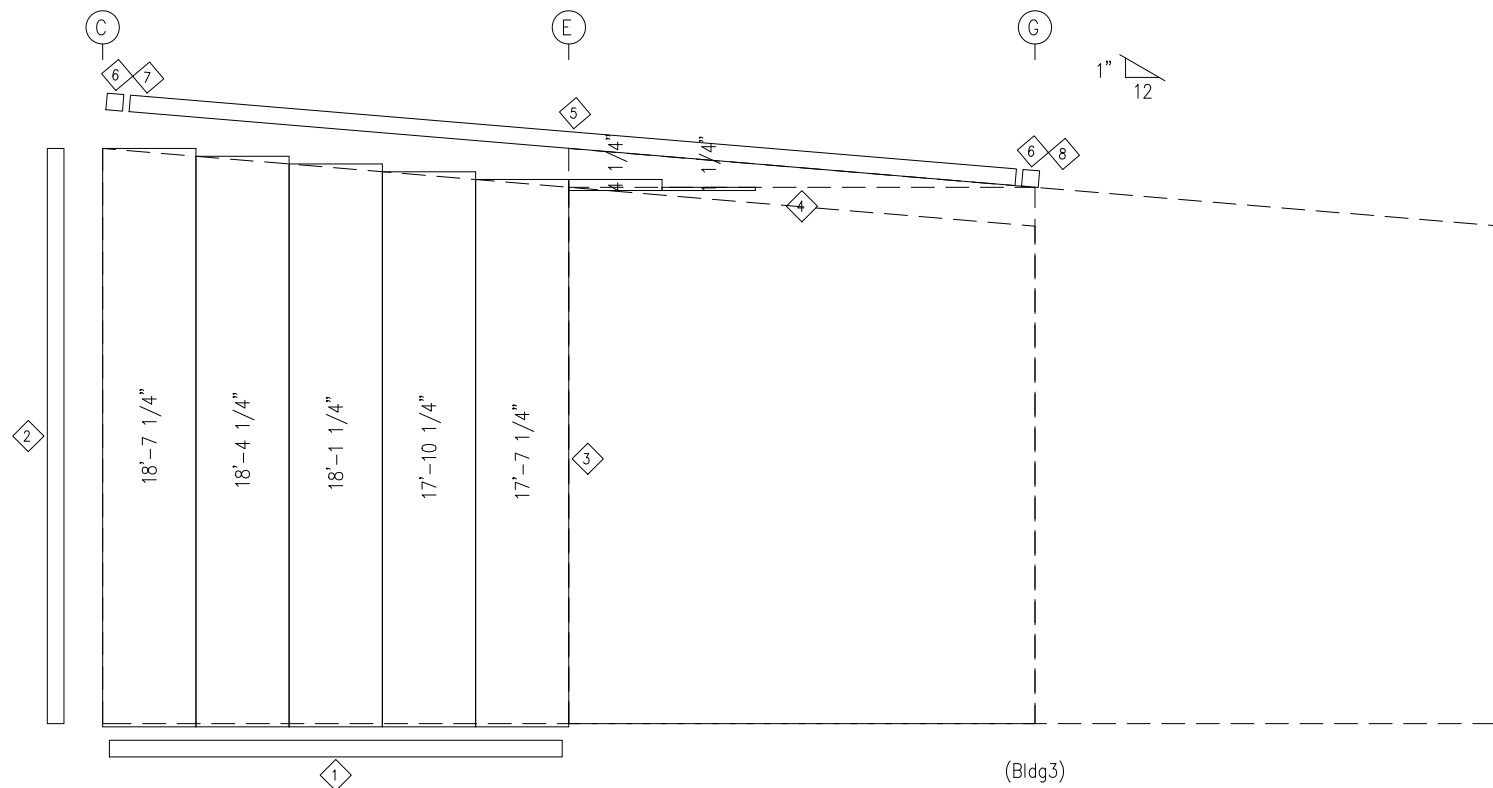
3033 S. PARKER RD 12 FLOOR
 AURORA, CO 80014
 PHONE: (800)-497-2135
 WWW.GREATWESTERNBUILDINGS.COM

CUSTOMER NAME:	DEALER
PROJECT NAME:	PROJECT
PROJECT LOCATION:	
PROJECT COUNTY:	
PROJECT END USE:	
CUSTOMER PHONE NUMBER:	
CUSTOMER EMAIL:	
SCALE:	N.T.S.
SHEET NUMBER:	OF
JOB NUMBER:	chadschampers20240411C
SHEET TITLE:	WALL FRAMING & SHEETING

THIS SEAL PERTAINS ONLY TO THE MATERIALS DESIGNED AND SUPPLIED BY GREAT WESTERN BUILDINGS. THE DRAWINGS AND THE METAL BUILDING WHICH THEY REPRESENT ARE THE PRODUCT OF GREAT WESTERN BUILDINGS. THE REGISTERED PROFESSIONAL ENGINEER WHOSE SEAL AND SIGNATURE APPEARS ON THESE DRAWINGS IS EMPLOYED BY GREAT WESTERN BUILDINGS AND DOES NOT SERVE AS OR REPRESENT THE OVERALL PROJECT ENGINEER OF RECORD AND SHALL NOT BE CONSTRUED AS SUCH.



ENDWALL FRAMING: FRAME LINE 11



ENDWALL SHEETING & TRIM: FRAME LINE 11

PANELS: 26 GA. PBR - NEED STD. COLOR
 (Bldg3) PANELS: 26 GA. PBR - NEED STD. COLOR

TRIM TABLE
 FRAME LINE 11

ID	QUAN	PART	LENGTH	DETAIL
1	2	FL-60	10'-2"	TD74
2	1	FL-10	18'-6"	TD40
3	1	FL-48	17'-6"	TD36
4	1	FL-60	10'-2"	TD74
5	4	FL-15	11'-8"	TD36
6	2	FL-601B	7 3/4"	TD85
7	1	FL-600L	5 5/8"	TD12
8	1	FL-600R	5 5/8"	TD12

BOLT TABLE
 FRAME LINE 11

LOCATION	QUAN	TYPE	DIA	LENGTH
COLUMNS/RAFTER	2	A325	5/8"	1 1/2"
COLUMNS/RAFTER	2	A325	5/8"	1 1/2"

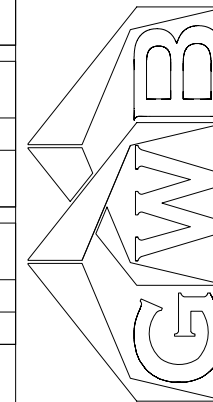
MEMBER TABLE
 FRAME LINE 11

QUAN	MARK	PART	LENGTH
1	EC-101		
2	G-100		

CONNECTION PLATES
 FRAME LINE 11

ID	QUAN	MARK
1	2	4X25Z16

ISSUE	APPROVAL	DATE	DWN.	CHK.	ENG.

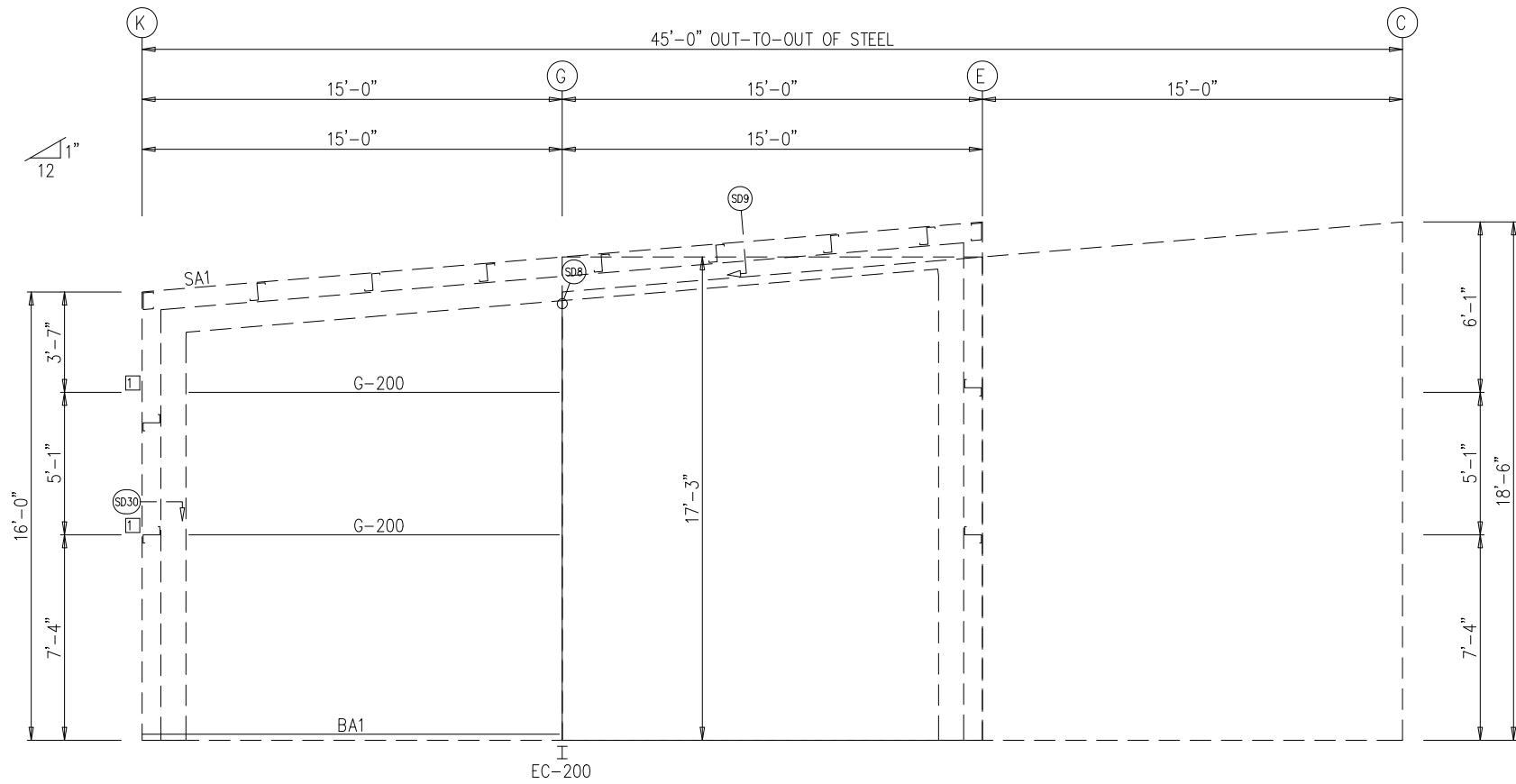


3033 S. PARKER RD 12 FLOOR
 AURORA, CO 80014
 PHONE: (800)-497-2135
 WWW.GREATWESTERNBUILDINGS.COM

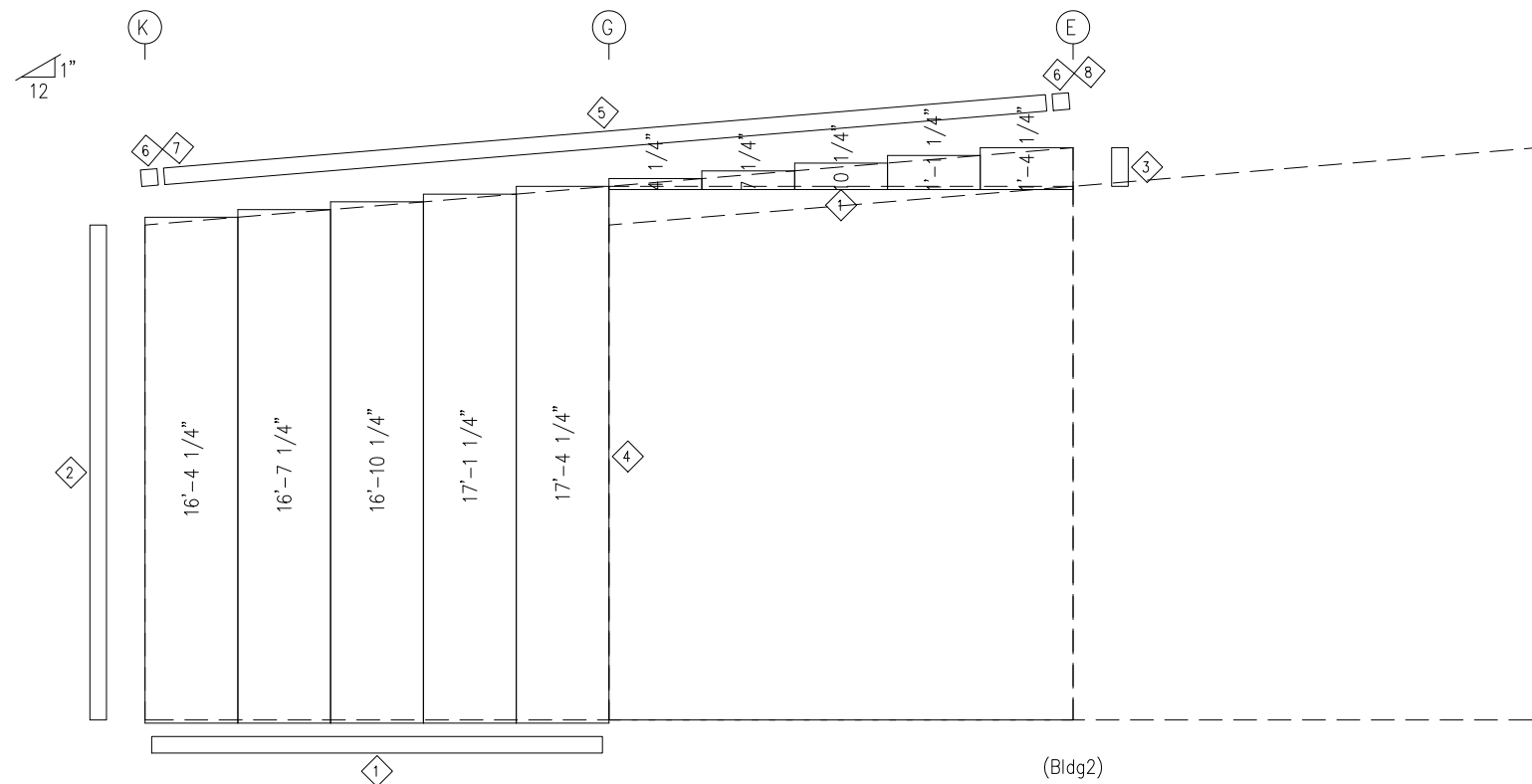
CUSTOMER NAME:	DEALER
PROJECT NAME:	PROJECT
PROJECT LOCATION:	
PROJECT COUNTY:	
PROJECT END USE:	
CUSTOMER PHONE NUMBER:	
CUSTOMER EMAIL:	
SCALE:	N.T.S.
SHEET NUMBER:	OF
JOB NUMBER:	
SHEET TITLE:	chadschampers20240411C

WALL FRAMING & SHEETING

THIS SEAL PERTAINS ONLY TO THE MATERIALS DESIGNED AND SUPPLIED BY GREAT WESTERN BUILDINGS. THE DRAWINGS AND THE METAL BUILDING WHICH THEY REPRESENT ARE THE PRODUCT OF GREAT WESTERN BUILDINGS. THE REGISTERED PROFESSIONAL ENGINEER WHOSE SEAL AND SIGNATURE APPEARS ON THESE DRAWINGS IS EMPLOYED BY GREAT WESTERN BUILDINGS AND DOES NOT SERVE AS OR REPRESENT THE OVERALL PROJECT ENGINEER OF RECORD AND SHALL NOT BE CONSTRUED AS SUCH.



ENDWALL FRAMING: FRAME LINE 11



ENDWALL SHEETING & TRIM: FRAME LINE 11

PANELS: 26 GA. PBR - NEED STD. COLOR
 (Bldg2) PANELS: 26 GA. PBR - NEED STD. COLOR

TRIM TABLE
 FRAME LINE 11

ID	QUAN	PART	LENGTH	DETAIL
1	4	FL-60	10'-2"	TD74
2	1	FL-10	16'-0"	TD40
3	1	FL-10	1'-3"	TD40
4	1	FL-48	17'-6"	TD36
5	3	FL-15	10'-6"	TD36
6	2	FL-601B	7 3/4"	TD85
7	1	FL-600L	5 5/8"	TD12
8	1	FL-600R	5 5/8"	TD12

BOLT TABLE
 FRAME LINE 11

LOCATION	QUAN	TYPE	DIA	LENGTH
COLUMNS/RAFTER	2	A325	5/8"	1 1/2"
COLUMNS/RAFTER	2	A325	5/8"	1 1/2"

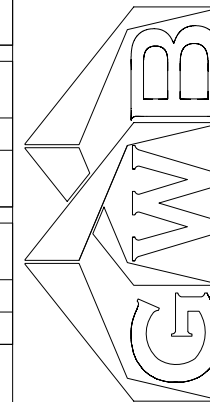
MEMBER TABLE
 FRAME LINE 11

QUAN	MARK	PART	LENGTH
1	EC-200		
2	G-200		

CONNECTION PLATES
 FRAME LINE 11

ID	QUAN	MARK
1	2	4X25Z16

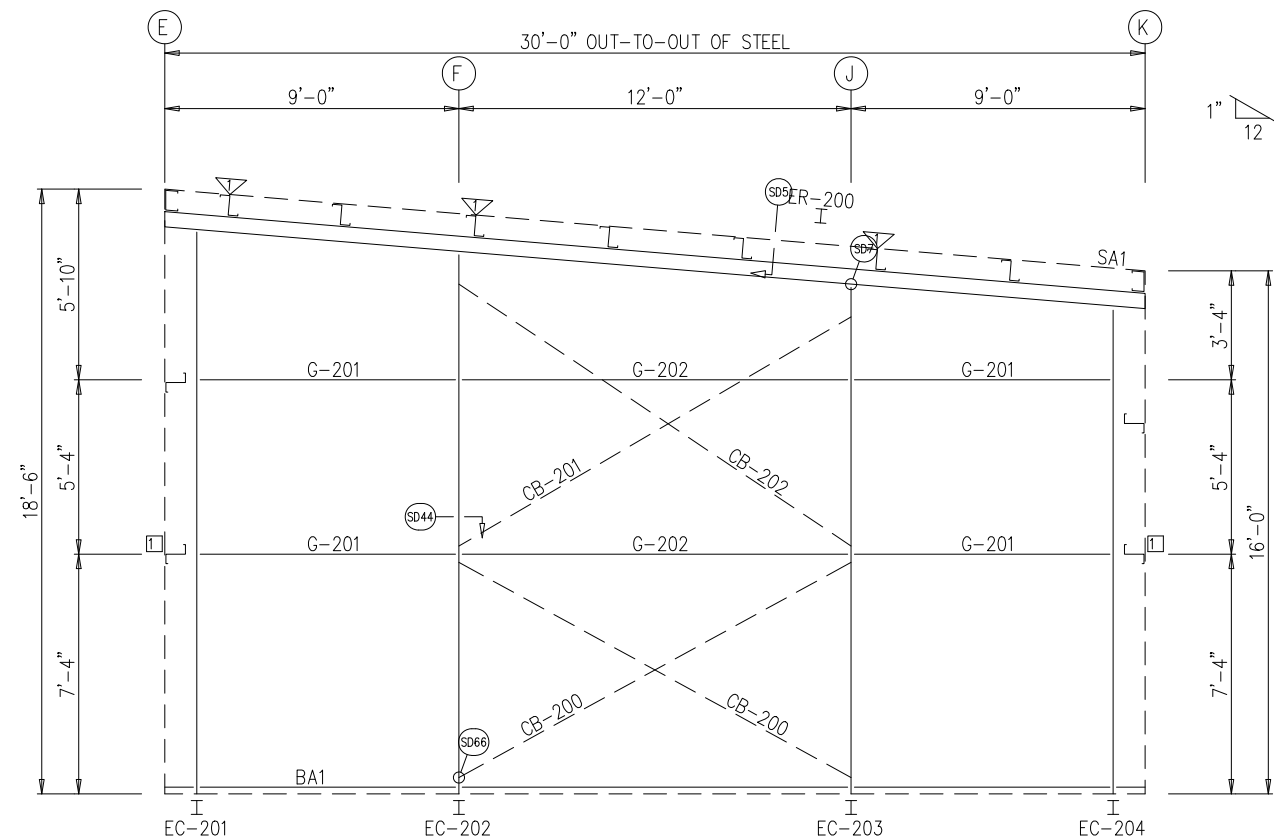
ISSUE	APPROVAL	DATE	DWN.	CHK.	ENG.
		//23			



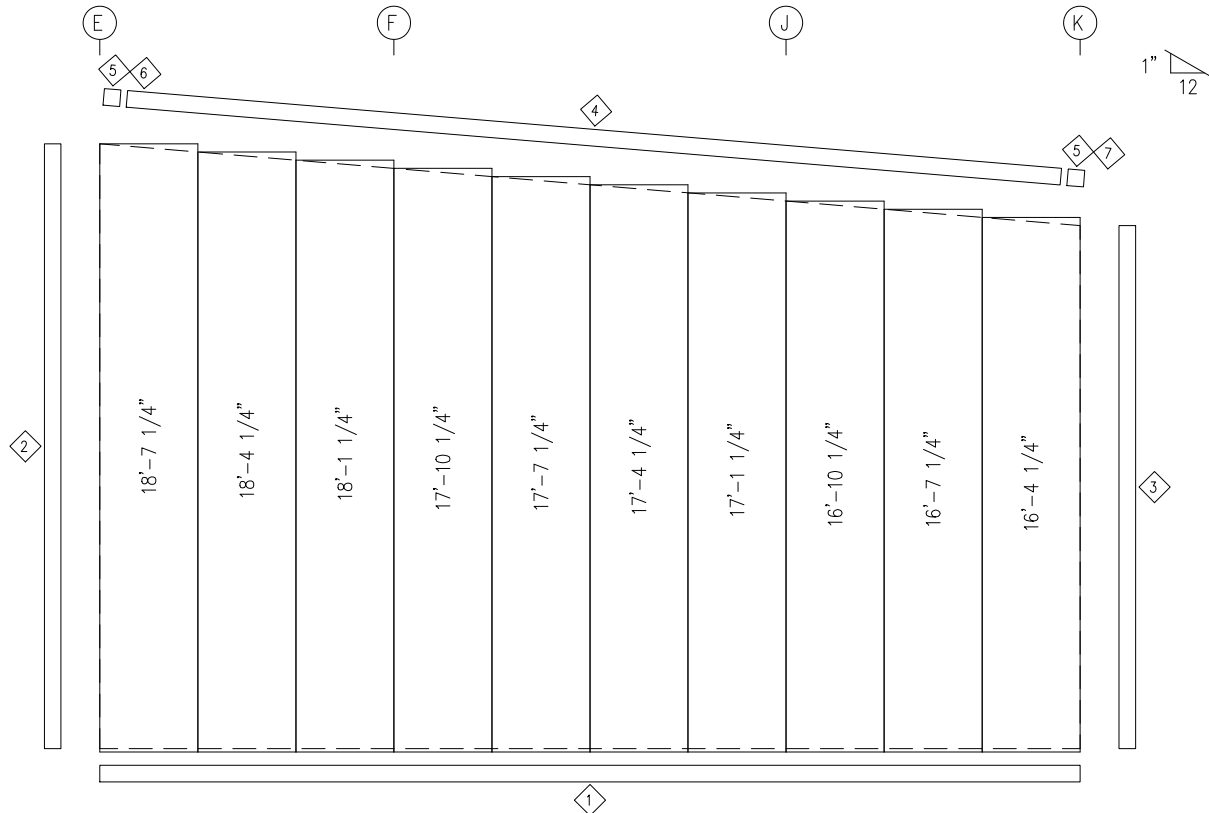
3033 S. PARKER RD 12 FLOOR
 AURORA, CO 80014
 PHONE: (800)-497-2135
 WWW.GREATWESTERNBUILDINGS.COM

CUSTOMER NAME:	DEALER
PROJECT NAME:	PROJECT
PROJECT LOCATION:	
PROJECT COUNTY:	
PROJECT END USE:	
CUSTOMER PHONE NUMBER:	
CUSTOMER EMAIL:	
SCALE:	N.T.S.
SHEET NUMBER:	OF
JOB NUMBER:	chadschampers20240411C
SHEET TITLE:	WALL FRAMING & SHEETING

THIS SEAL PERTAINS ONLY TO THE MATERIALS DESIGNED AND SUPPLIED BY GREAT WESTERN BUILDINGS. THE DRAWINGS AND THE METAL BUILDING WHICH THEY REPRESENT ARE THE PRODUCT OF GREAT WESTERN BUILDINGS. THE REGISTERED PROFESSIONAL ENGINEER WHOSE SEAL AND SIGNATURE APPEARS ON THESE DRAWINGS IS EMPLOYED BY GREAT WESTERN BUILDINGS AND DOES NOT SERVE AS OR REPRESENT THE OVERALL PROJECT ENGINEER OF RECORD AND SHALL NOT BE CONSTRUED AS SUCH.



ENDWALL FRAMING: FRAME LINE 15



ENDWALL SHEETING & TRIM: FRAME LINE 15
PANELS: 26 GA. PBR - NEED STD. COLOR

TRIM TABLE
FRAME LINE 15

ID	QUAN	PART	LENGTH	DETAIL
1	3	FL-60	10'-2"	TD74
2	1	FL-10	18'-6"	TD40
3	1	FL-10	16'-0"	TD40
4	3	FL-15	10'-6"	TD36
5	2	FL-601B	7 3/4"	TD85
6	1	FL-600L	5 5/8"	TD12
7	1	FL-600R	5 5/8"	TD12

BOLT TABLE
FRAME LINE 15

LOCATION	QUAN	TYPE	DIA	LENGTH
COLUMNS/RAFTER	2	A325	5/8"	1 1/2"

MEMBER TABLE
FRAME LINE 15

QUAN	MARK	PART	LENGTH
1	EC-201		
1	EC-202		
1	EC-203		
1	EC-204		
1	ER-200		
4	G-201		
2	G-202		
2	CB-200		
1	CB-201		
1	CB-202		

CONNECTION PLATES
FRAME LINE 15

ID	QUAN	MARK
1	2	CL-5

FLANGE BRACE TABLE
FRAME LINE 15

ID	QUAN	MARK
1	1	FB29.3

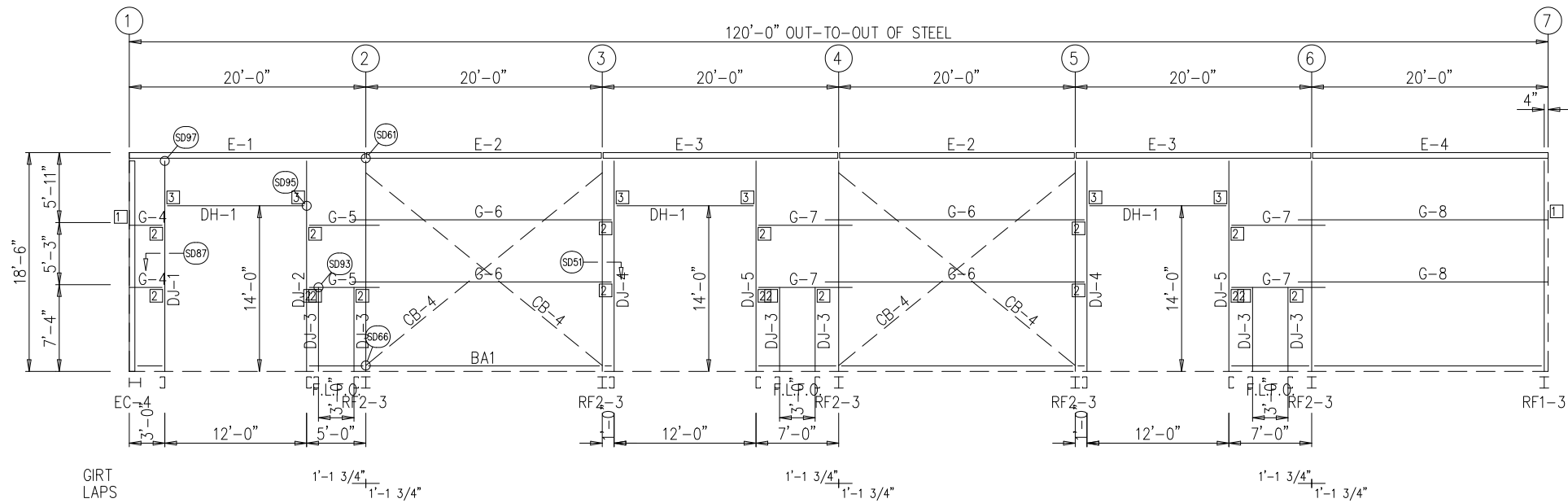
DATE	DWN.	CHK.	ENG.
1/23		MEZ	RTS

3033 S. PARKER RD 12 FLOOR
AURORA, CO 80014
PHONE: (800)-497-2135
WWW.GREATWESTERNBUILDINGS.COM

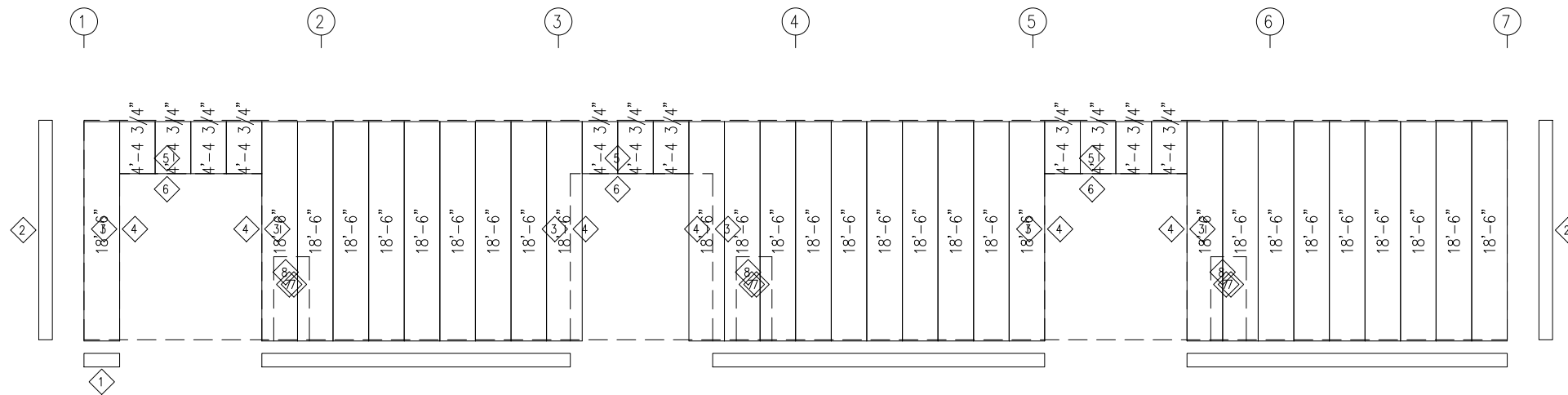
CUSTOMER NAME:	DEALER
PROJECT NAME:	PROJECT
PROJECT LOCATION:	
PROJECT COUNTY:	
PROJECT END USE:	
CUSTOMER PHONE NUMBER:	
CUSTOMER EMAIL:	
SCALE:	N.T.S.
SHEET NUMBER:	OF
JOB NUMBER:	
SHEET TITLE:	chadschampers20240411C

THIS SEAL PERTAINS ONLY TO THE MATERIALS DESIGNED AND SUPPLIED BY GREAT WESTERN BUILDINGS. THE DRAWINGS AND THE METAL BUILDING WHICH THEY REPRESENT ARE THE PRODUCT OF GREAT WESTERN BUILDINGS. THE REGISTERED PROFESSIONAL ENGINEER WHOSE SEAL AND SIGNATURE APPEARS ON THESE DRAWINGS IS EMPLOYED BY GREAT WESTERN BUILDINGS AND DOES NOT SERVE AS OR REPRESENT THE OVERALL PROJECT ENGINEER OF RECORD AND SHALL NOT BE CONSTRUED AS SUCH.

WALL FRAMING & SHEETING



SIDEWALL FRAMING: FRAME LINE A



SIDEWALL SHEETING & TRIM: FRAME LINE A
PANELS: 26 GA. PBR - NEED STD. COLOR

TRIM TABLE FRAME LINE A				
ID	QUAN	PART	LENGTH	DETAIL
1	9	FL-60	10'-2"	TD74
2	2	FL-502	18'-6"	TD40
3	6	FL-55	14'-2"	TD51
4	6	FL-48	14'-2"	TD51
5	3	FL-55	12'-7"	TD52
6	3	FL-55	12'-4"	TD52
7	6	FL-48	7'-2"	TD51
8	3	FL-52	3'-4"	TD52

MEMBER TABLE FRAME LINE A			
QUAN	MARK	PART	LENGTH
1	DJ-1		
1	DJ-2		
6	DJ-3		
2	DJ-4		
2	DJ-5		
3	DH-1		
1	E-1		
2	E-2		
2	E-3		
1	F-4		
2	G-4		
2	G-5		
4	G-6		
4	G-7		
2	G-8		
4	CB-4		

CONNECTION PLATES FRAME LINE A		
ID	QUAN	MARK
1	2	CL-5
2	18	CL-103
3	6	CL-100

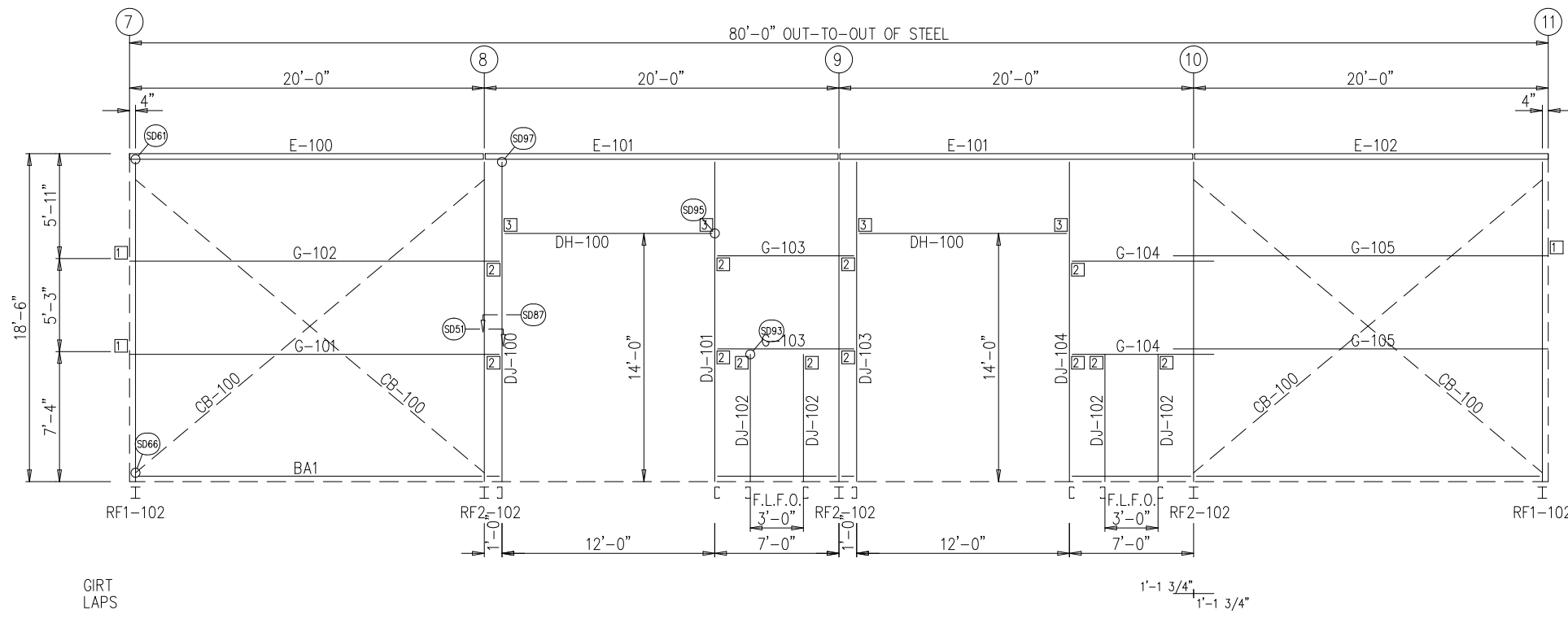
ISSUE	APPROVAL	DATE	DWN.	CHK.	ENG.
		//23	MEZ	MEZ	RTS

3033 S. PARKER RD 12 FLOOR
AURORA, CO 80014
PHONE: (800)-497-2135
WWW.GREATWESTERNBUILDINGS.COM

CUSTOMER NAME:	DEALER
PROJECT NAME:	PROJECT
PROJECT LOCATION:	
PROJECT COUNTY:	
PROJECT END USE:	
CUSTOMER PHONE NUMBER:	
CUSTOMER EMAIL:	
SCALE:	N.T.S.
SHEET NUMBER:	OF
JOB NUMBER:	
SHEET TITLE:	chadschampers20240411C

WALL FRAMING & SHEETING

THIS SEAL PERTAINS ONLY TO THE MATERIALS DESIGNED AND SUPPLIED BY GREAT WESTERN BUILDINGS. THE DRAWINGS AND THE METAL BUILDING WHICH THEY REPRESENT ARE THE PRODUCT OF GREAT WESTERN BUILDINGS. THE REGISTERED PROFESSIONAL ENGINEER WHOSE SEAL AND SIGNATURE APPEARS ON THESE DRAWINGS IS EMPLOYED BY GREAT WESTERN BUILDINGS AND DOES NOT SERVE AS OR REPRESENT THE OVERALL PROJECT ENGINEER OF RECORD AND SHALL NOT BE CONSTRUED AS SUCH.



SIDEWALL FRAMING: FRAME LINE C

TRIM TABLE
FRAME LINE C

ID	QUAN	PART	LENGTH	DETAIL
1	6	FL-60	10'-2"	TD74
2	1	FL-10	1'-3"	TD40
3	1	FL-10	18'-6"	TD40
4	4	FL-55	14'-2"	TD51
5	4	FL-48	14'-2"	TD51
6	2	FL-55	12'-7"	TD52
7	2	FL-52	12'-4"	TD52
8	4	FL-48	7'-2"	TD51
9	2	FL-52	3'-4"	TD52

MEMBER TABLE
FRAME LINE C

QUAN	MARK	PART	LENGTH
1	DJ-100		
1	DJ-101		
4	DJ-102		
1	DJ-103		
1	DJ-104		
2	DH-100		
1	E-100		
2	E-101		
1	E-102		
1	G-101		
1	G-102		
2	G-103		
2	G-104		
2	G-105		
4	CB-100		

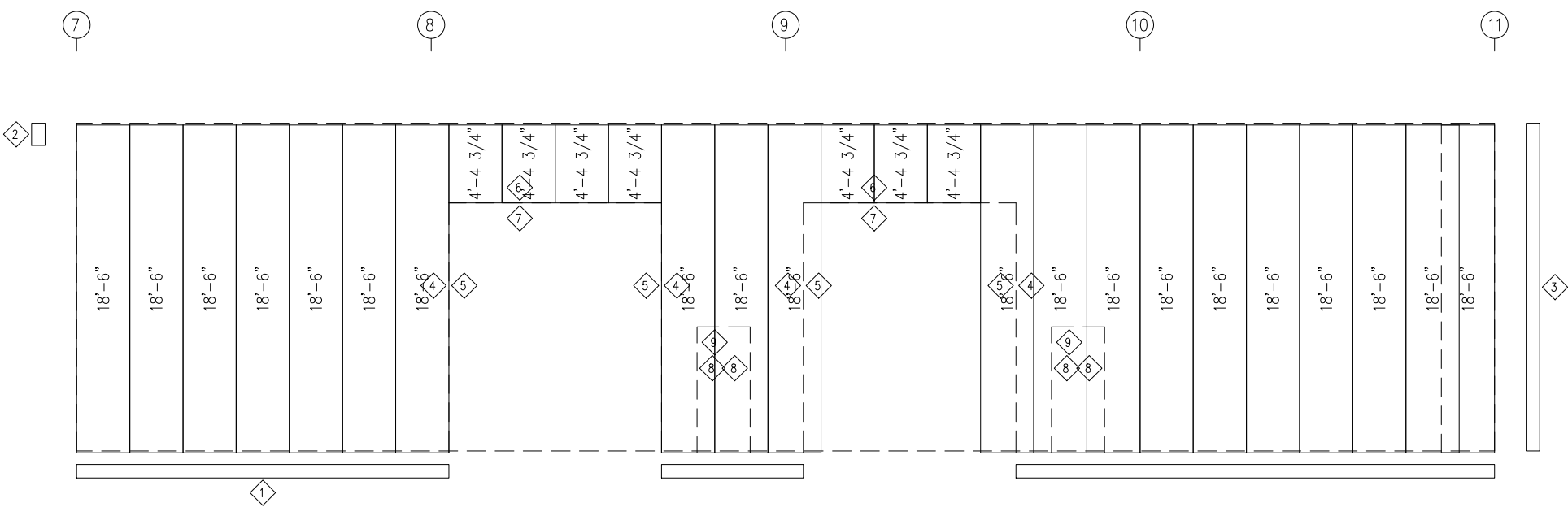
CONNECTION PLATES
FRAME LINE C

ID	QUAN	MARK
1	3	CL-5
2	12	CL-103
3	4	CL-100

ISSUE	DATE	APPROVAL	ISSUE	DATE	APPROVAL	CHK.	MEZ	ENG.	RIS

3033 S. PARKER RD 12 FLOOR
AURORA, CO 80014
PHONE: (800)-497-2135
WWW.GREATWESTERNBUILDINGS.COM

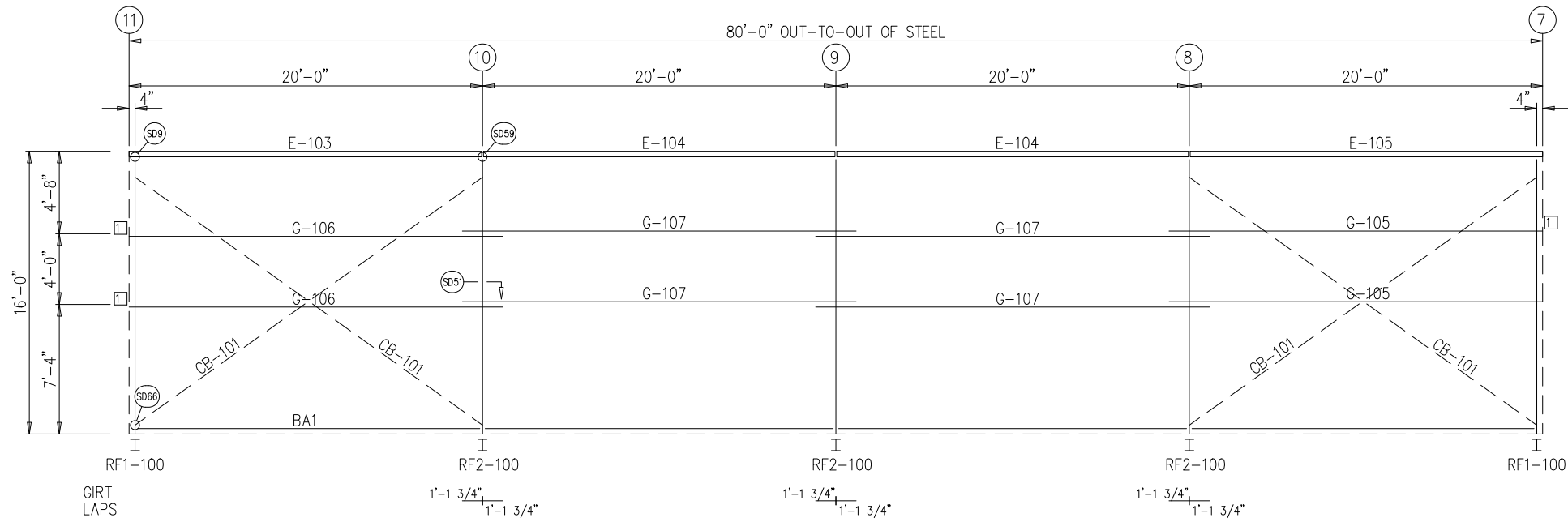
CUSTOMER NAME:	DEALER
PROJECT NAME:	PROJECT
PROJECT LOCATION:	
PROJECT COUNTY:	
PROJECT END USE:	
CUSTOMER PHONE NUMBER:	
CUSTOMER EMAIL:	
SCALE:	N.T.S.
SHEET NUMBER:	OF
JOB NUMBER:	
SHEET TITLE:	chadschampers20240411C



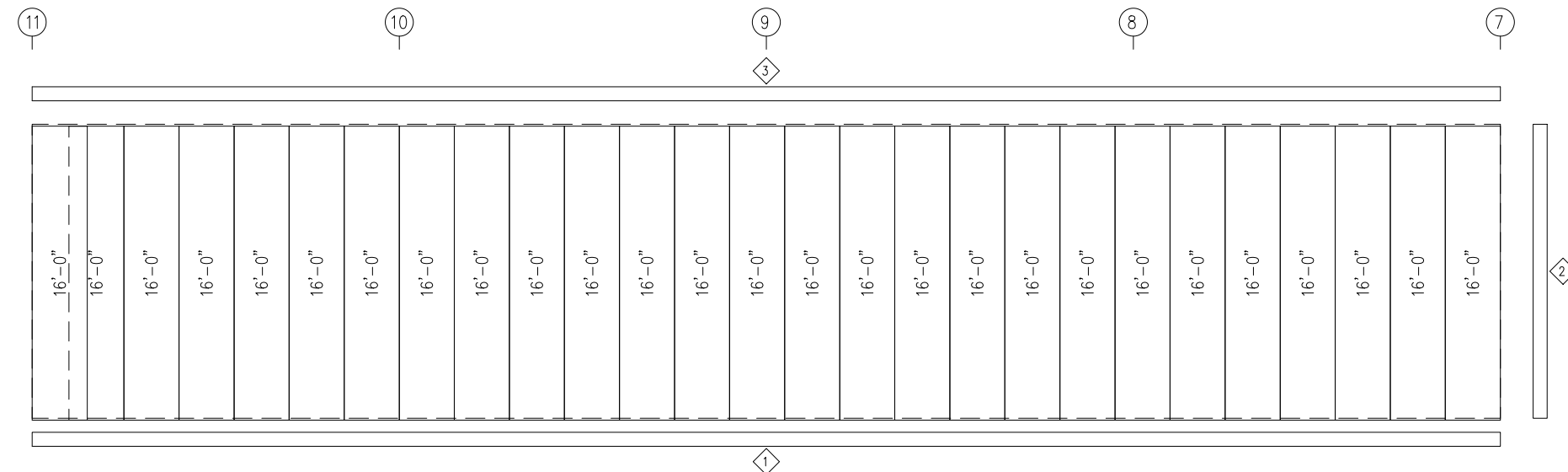
SIDEWALL SHEETING & TRIM: FRAME LINE C
PANELS: 26 GA. PBR - NEED STD. COLOR

THIS SEAL PERTAINS ONLY TO THE MATERIALS DESIGNED AND SUPPLIED BY GREAT WESTERN BUILDINGS. THE DRAWINGS AND THE METAL BUILDING WHICH THEY REPRESENT ARE THE PRODUCT OF GREAT WESTERN BUILDINGS. THE REGISTERED PROFESSIONAL ENGINEER WHOSE SEAL AND SIGNATURE APPEARS ON THESE DRAWINGS IS EMPLOYED BY GREAT WESTERN BUILDINGS AND DOES NOT SERVE AS OR REPRESENT THE OVERALL PROJECT ENGINEER OF RECORD AND SHALL NOT BE CONSTRUED AS SUCH.

WALL FRAMING & SHEETING



SIDEWALL FRAMING: FRAME LINE G



SIDEWALL SHEETING & TRIM: FRAME LINE G

PANELS: 26 GA. PBR - NEED STD. COLOR

TRIM TABLE
FRAME LINE G

ID	QUAN	PART	LENGTH	DETAIL
1	8	FL-60	10'-2"	TD74
2	1	FL-10	16'-0"	TD40
3	7	FL-214	11'-8"	TD17

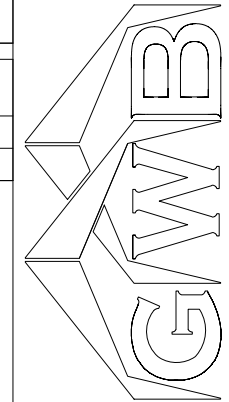
MEMBER TABLE
FRAME LINE G

QUAN	MARK	PART	LENGTH
1	E-103		
2	E-104		
1	E-105		
2	G-105		
2	G-106		
4	G-107		
4	CB-101		

CONNECTION PLATES
FRAME LINE G

ID	QUAN	MARK
1	3	CL-5

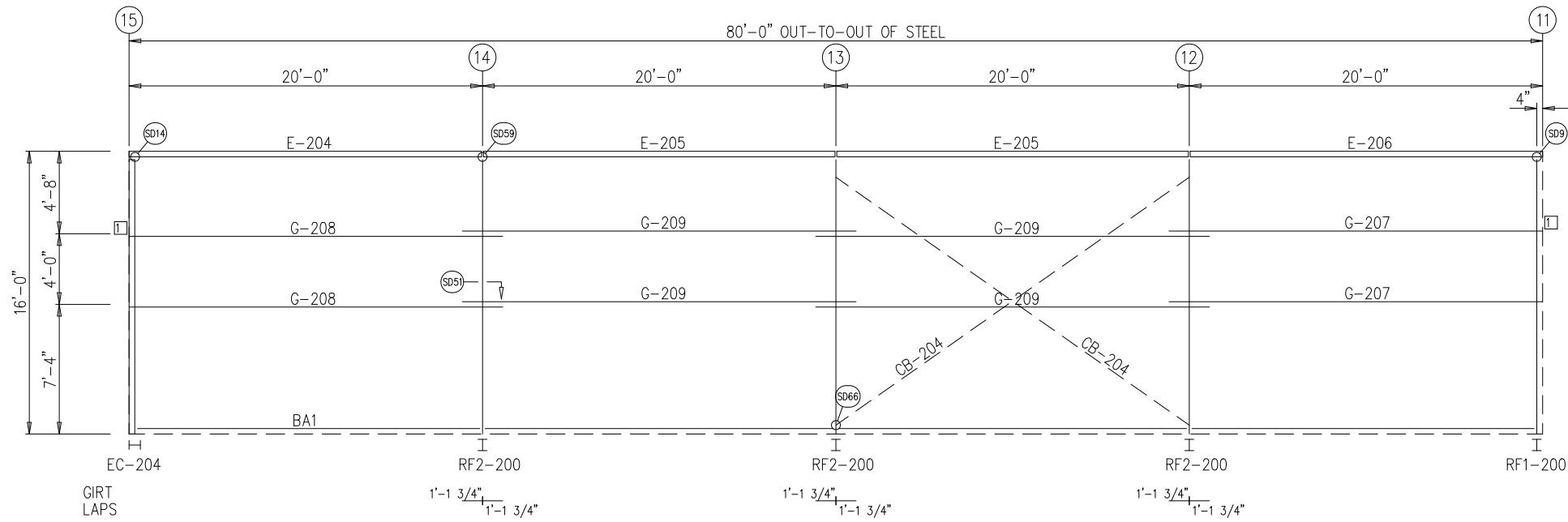
DATE	DWN.	CHK.	ENG.
___/___/___			
ISSUE	APPROVAL	MEZ	RTS



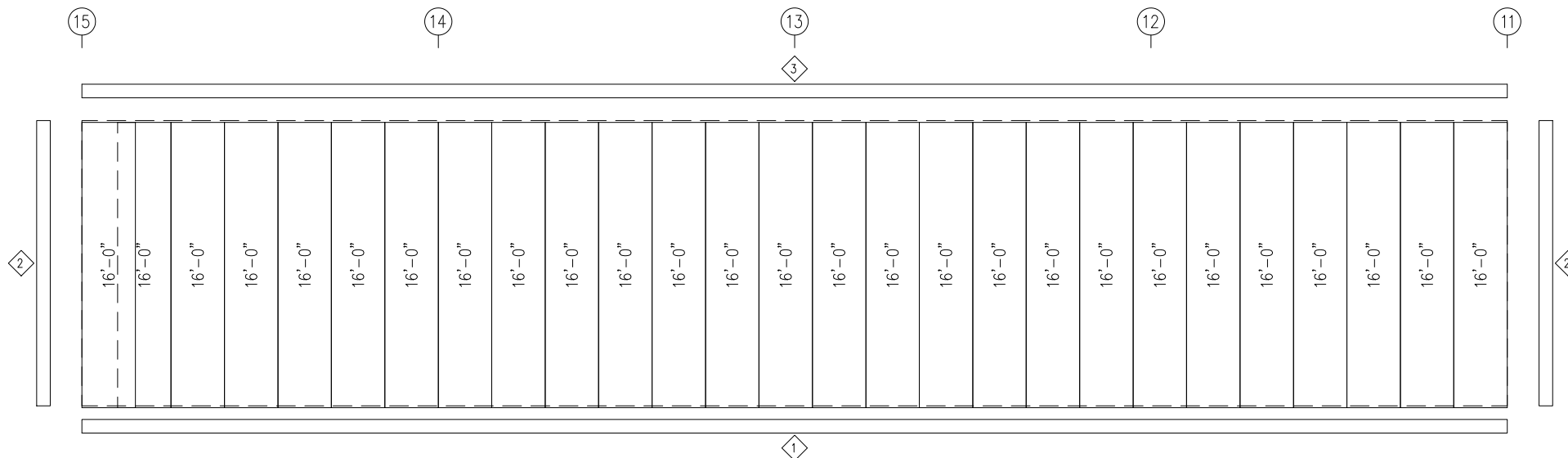
3033 S. PARKER RD 12 FLOOR
AURORA, CO 80014
PHONE: (800)-497-2135
WWW.GREATWESTERNBUILDINGS.COM

CUSTOMER NAME: DEALER	PROJECT NAME: PROJECT
PROJECT LOCATION:	PROJECT COUNTY:
PROJECT END USE:	CUSTOMER PHONE NUMBER:
CUSTOMER EMAIL:	SCALE: N.T.S.
SHEET NUMBER: OF	JOB NUMBER
SHEET TITLE: WALL FRAMING & SHEETING	chadschampers20240411C

THIS SEAL PERTAINS ONLY TO THE MATERIALS DESIGNED AND SUPPLIED BY GREAT WESTERN BUILDINGS. THE DRAWINGS AND THE METAL BUILDING WHICH THEY REPRESENT ARE THE PRODUCT OF GREAT WESTERN BUILDINGS. THE REGISTERED PROFESSIONAL ENGINEER WHOSE SEAL AND SIGNATURE APPEARS ON THESE DRAWINGS IS EMPLOYED BY GREAT WESTERN BUILDINGS AND DOES NOT SERVE AS OR REPRESENT THE OVERALL PROJECT ENGINEER OF RECORD AND SHALL NOT BE CONSTRUED AS SUCH.



SIDEWALL FRAMING: FRAME LINE K



SIDEWALL SHEETING & TRIM: FRAME LINE K

PANELS: 26 GA. PBR - NEED STD. COLOR

TRIM TABLE
FRAME LINE K

ID	QUAN	PART	LENGTH	DETAIL
1	8	FL-60	10'-2"	TD74
2	2	FL-10	16'-0"	TD40
3	7	FL-214	11'-8"	TD17

MEMBER TABLE
FRAME LINE K

QUAN	MARK	PART	LENGTH
1	E-204		
2	E-205		
1	E-206		
2	G-207		
2	G-208		
4	G-209		
2	CB-204		

CONNECTION PLATES
FRAME LINE K

ID	QUAN	MARK
1	2	CL-5

DATE	DWN.	CHK.	ENG.
___/___/___			

3033 S. PARKER RD 12 FLOOR
AURORA, CO 80014
PHONE: (800)-497-2135
WWW.GREATWESTERNBUILDINGS.COM

CUSTOMER NAME: DEALER	PROJECT NAME: PROJECT
PROJECT LOCATION:	PROJECT COUNTY:
PROJECT END USE:	CUSTOMER PHONE NUMBER:
CUSTOMER EMAIL:	SCALE: N.T.S.
SHEET NUMBER: OF	JOB NUMBER: chadschampers20240411C
SHEET TITLE: WALL FRAMING & SHEETING	

THIS SEAL PERTAINS ONLY TO THE MATERIALS DESIGNED AND SUPPLIED BY GREAT WESTERN BUILDINGS. THE DRAWINGS AND THE METAL BUILDING WHICH THEY REPRESENT ARE THE PRODUCT OF GREAT WESTERN BUILDINGS. THE REGISTERED PROFESSIONAL ENGINEER WHOSE SEAL AND SIGNATURE APPEARS ON THESE DRAWINGS IS EMPLOYED BY GREAT WESTERN BUILDINGS AND DOES NOT SERVE AS OR REPRESENT THE OVERALL PROJECT ENGINEER OF RECORD AND SHALL NOT BE CONSTRUED AS SUCH.