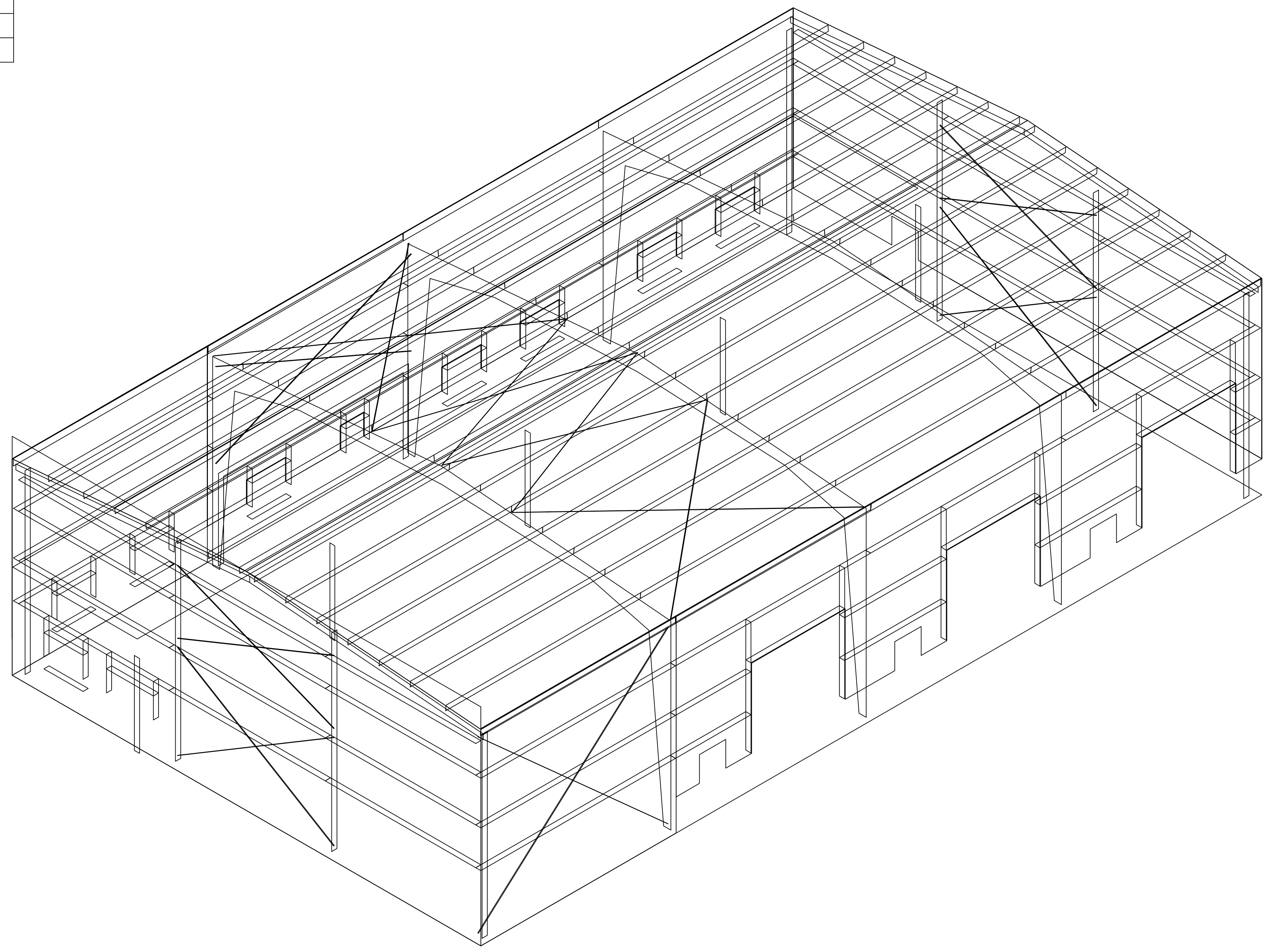


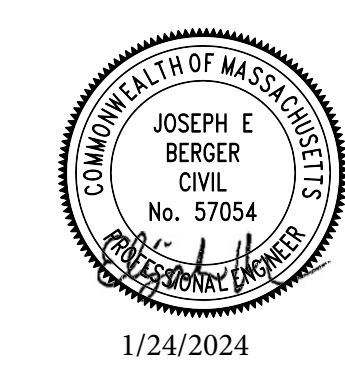
DRAWING TABLE OF CONTENTS	
DRAWING DESCRIPTION	DRAWING ID(S):
COVER SHEET	CDVR-1
ANCHOR BOLT PLAN & DETAILS	ABLT-1
ANCHOR BOLT REACTIONS AND NOTES	ABLT-2
GENERAL NOTES AND LEGEND	ABLT-3
ROOF FRAMING & SHEETING	ROOF-1
SIDEWALL FRAMING & SHEETING	SWFS-1 THRU SWFS-2
ENDWALL FRAMING & SHEETING	EWFS-1
FRAME X-SECTION	FRXS-1
MEZZANINE FRAMING	MEZZ-1
FRAMING DETAILS	DTLS-1
SHEETING DETAILS	DTLS-2

DRAWING RELEASE HISTORY				
DRAWING TYPE(S)	INITIAL DRAWING DATE:	TOTAL # DRAWING SHEETS:	DESCRIPTION:	LATEST REVISION DATE:
ANCHOR BOLT LAYOUT, REACTIONS, AND NOTES	10/17/23	3	RELEASED FOR CONSTRUCTION	12/22/23
PRELIMINARY FRAMING AND SHEETING DRAWINGS	10/26/23	8	FOR PERMIT ONLY - NOT FOR CONSTRUCTION	01/08/24
FINAL FRAMING AND SHEETING DRAWINGS	01/22/24	8	RELEASED FOR CONSTRUCTION	01/22/24

NOTE: TOTAL # OF DRAWING SHEETS DOES NOT INCLUDE COVER SHEET (THIS DRAWING)

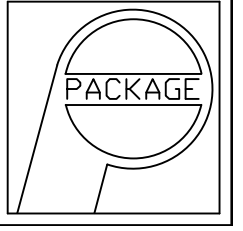


BOSTON OUTDOOR LIVING  
 220 STURBRIDGE ROAD  
 CHARLTON, MA 01507

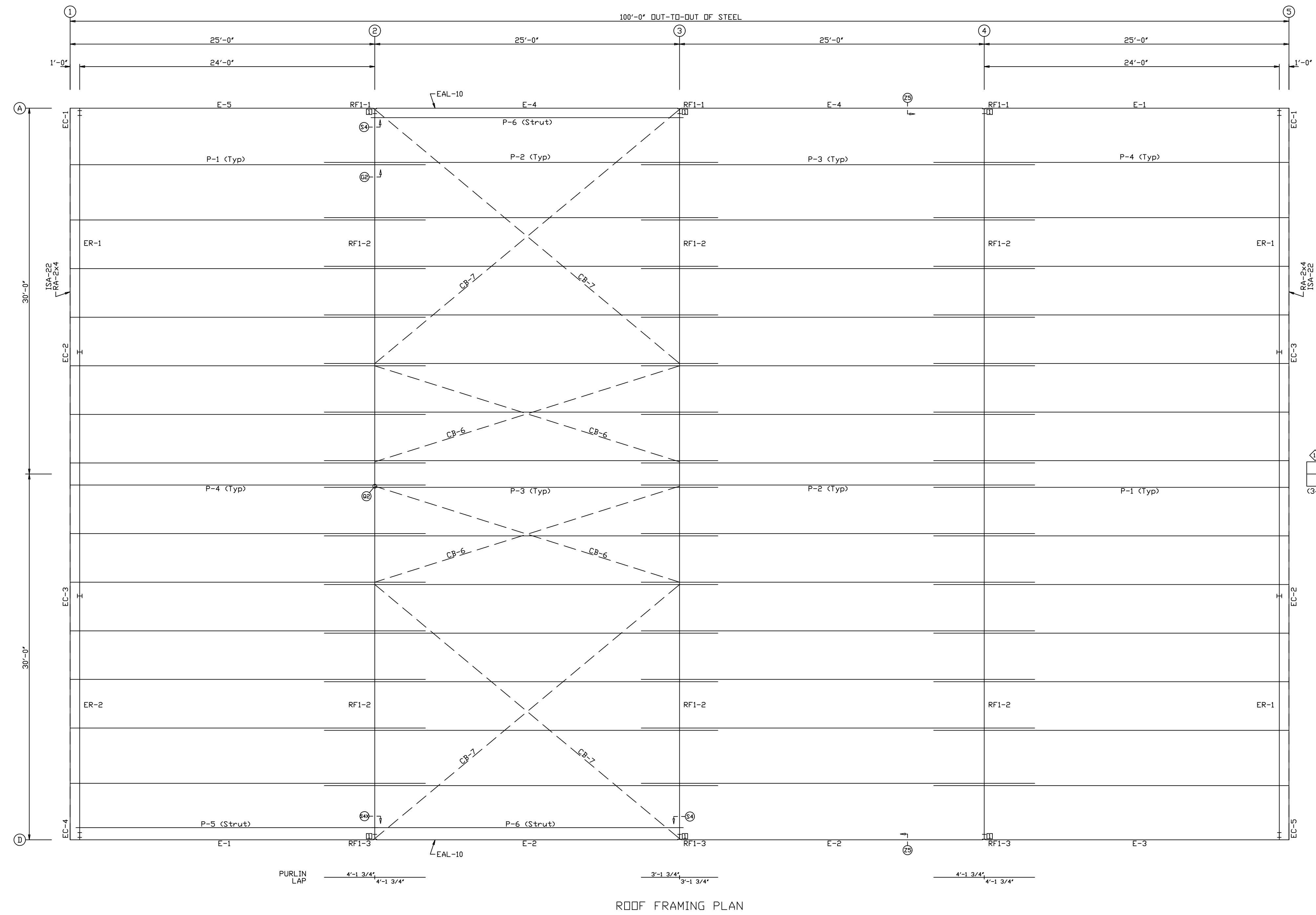


1/24/2024

REV.	DESCRIPTION:	DATE:	DRAFT	ENG.
3				
2				
1				
DRAWINGS RELEASED FOR CONSTRUCTION				CURRENT REVISION: 0
PACKAGE STEEL SYSTEMS, INC.		Boston Outdoor Living		
PROJECT	Boston Outdoor Living	GENERAL INFORMATION		
ID	2309-122	DESIGN:LPB	DESIGN CHECK:JEB	
PROJECT	220 Sturbridge Road	DRAFT:MAD	DRAFT CHECK:RPG	
ADDRESS	Charlton, MA 01507	DATE: 01/22/24	DRAWING: CDVR-1	



TRIM TABLE		MEMBER TABLE		CONNECTION PLATES															
TRIM PLAN	DETAIL	MEMBER TABLE	ROOF PLAN	CONNECTION PLATES	ROOF PLAN														
ID	QUAN	PART	LENGTH	DESCRIPTION	COLOR	ID	QUAN	PART	LENGTH	DESCRIPTION	COLOR	ID	QUAN	PART	LENGTH	DESCRIPTION	COLOR	DETAIL	
1	34	FL-49	3'-0"	DIE FORMED RIDGE CAP	Galvalume Plus	TRIM_118													



ROOF FRAMING PLAN

ROOF SHEETING  
 PANELS: 26 Ga. PBR (Std. Roll)  
 Galvalume Plus

REV.	DESCRIPTION	DATE	DRAFT	ENG.
3				
2	DRAWING RELEASED FOR CONSTRUCTION	1/22/24	RPG	JEB
1	PRELIMINARY DRAWING: NOT FOR CONSTRUCTION / FOR PERMIT ONLY	1/08/24	MAD	JEB
	PRELIMINARY DRAWING: NOT FOR CONSTRUCTION / FOR PERMIT ONLY	CURRENT REVISION: 2		

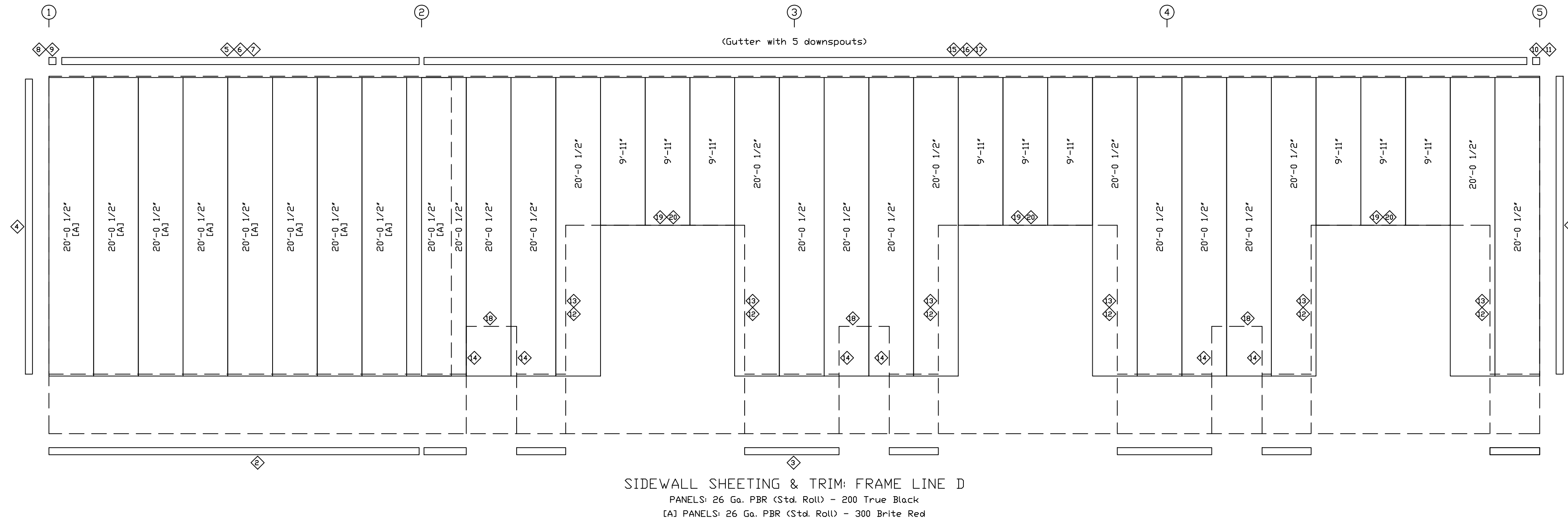
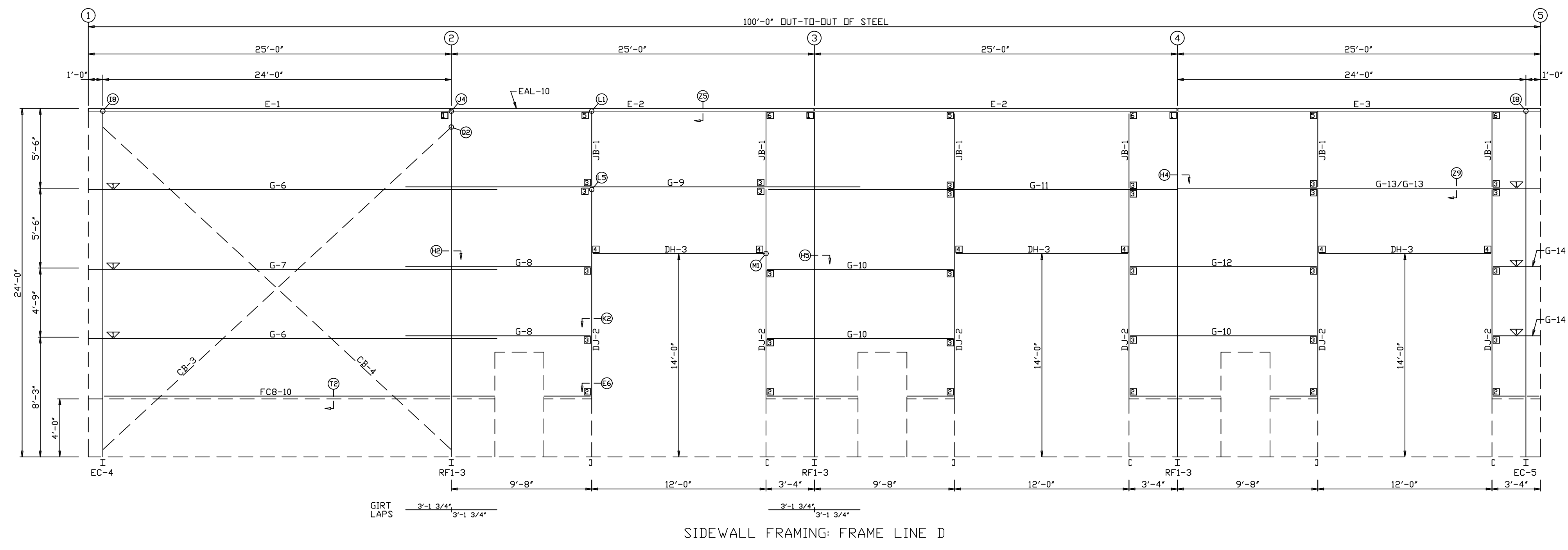
PROJECT: Boston Outdoor Living		ROOF FRAMING & SHEETING	
ID: 2309-122	DESIGN: LPB	DESIGN CHECK: JEB	
PROJECT: 220 Sturbridge Road	DRAFT: MAD	DESIGN CHECK: MAD	
ADDRESS: Charlton, MA 01507	DATE: 10/26/23	DRAWING: ROOF-1	

TRIM TABLE	FRAME LINE D	QTY	QUAN	PART	LENGTH	DESCRIPTION	COLOR	DETAIL
1	2	DCT 10	10'-3"	OUTSIDE CORNER TRIM	200	True Black	TRIM_40	
2	3	SF 10	10'-3"	BASE SILL FLASHING	300	Brite Red	T2	
3	4	SF 10	10'-3"	BASE SILL FLASHING	200	True Black	T2	
4	2	DCT 10	10'-3"	OUTSIDE CORNER TRIM	300	Brite Red	TRIM_40	
5	1	FG 10	10'-3"	FACIA GUTTER	300	Brite Red	TRIM_2	
6	1	FG 15	15'-3"	FACIA GUTTER	300	Brite Red	TRIM_2	
7	3	NBET 10	10'-3"	EAVE TRIM	300	Brite Red	TRIM_2	
8	1	LMCC 1L	1'-0"	LDW CORNER COVER	300	Brite Red	TRIM_2	
9	1	GEC L	6'	GUTTER END CAP	500	Regal White		
10	1	LMCC 1R	1'-0"	LDW CORNER COVER	200	True Black		
11	1	GEC R	6'	GUTTER END CAP	500	Regal White		
12	6	JF 10	10'-3"	JAMB FLASHING	200	True Black	TRIM_31	
13	6	DC 10	10'-3"	DOOR COVER TRIM	200	True Black		
14	6	JF 7	7'-3"	JAMB FLASHING	200	True Black	TRIM_34	
15	6	FG 10	10'-3"	FACIA GUTTER	200	True Black	TRIM_2	
16	1	FG 15	15'-3"	FACIA GUTTER	200	True Black	TRIM_2	
17	8	NBET 10	10'-3"	EAVE TRIM	200	True Black	TRIM_2	
18	3	HF 4	4'-8"	HEADER TRIM	200	True Black	TRIM_33	
19	3	HF 12	12'-8"	HEADER TRIM	200	True Black	TRIM_33	
20	3	DC 12	12'-3"	DOOR COVER TRIM	200	True Black	TRIM_30	

MEMBER TABLE	FRAME LINE D	QTY	QUAN	PART	LENGTH
3	DJ-2	8x25C12	14'-1 3/4"		
4	DH-5	8x25C16	12'-0"		
5	E-1	10ESL114	24'-11 5/8"		
6	E-2	10ESL114	24'-11 5/8"		
7	E-3	10ESL114	24'-11 5/8"		
8	G-6	8x25Z14	28'-1 1/2"		
9	G-7	8x25Z12	28'-1 1/2"		
10	G-8	8x25Z14	12'-5 1/2"		
11	G-9	8x25Z14	31'-3 1/2"		
12	G-10	8x25Z14	12'-5 1/2"		
13	G-11	8x25Z14	28'-1 1/2"		
14	G-12	8x25Z12	12'-5 1/2"		
15	G-13	8x25C12(D)	24'-11 1/2"		
16	G-14	8x25Z16	2'-11 1/2"		
17	CB-3	CB0500	33'-3"		
18	CB-4	CB0500	33'-6"		
19	JB-1	8x25C16	4'-3 1/2"		

FRAMING BRACE TABLE	FRAME LINE D	QTY	QUAN	MARK	LENGTH	CLIP
1	6	1B233A	11'-11 1/4"	1B233A		

CONNECTION PLATES	FRAME LINE D	QTY	QUAN	MARK	PART
1	3	K1			
2	3	JGC 3			
3	4	JGC 1			
4	4	JGC 2			
5	3	JGC XL			
6	3	JGC XL			

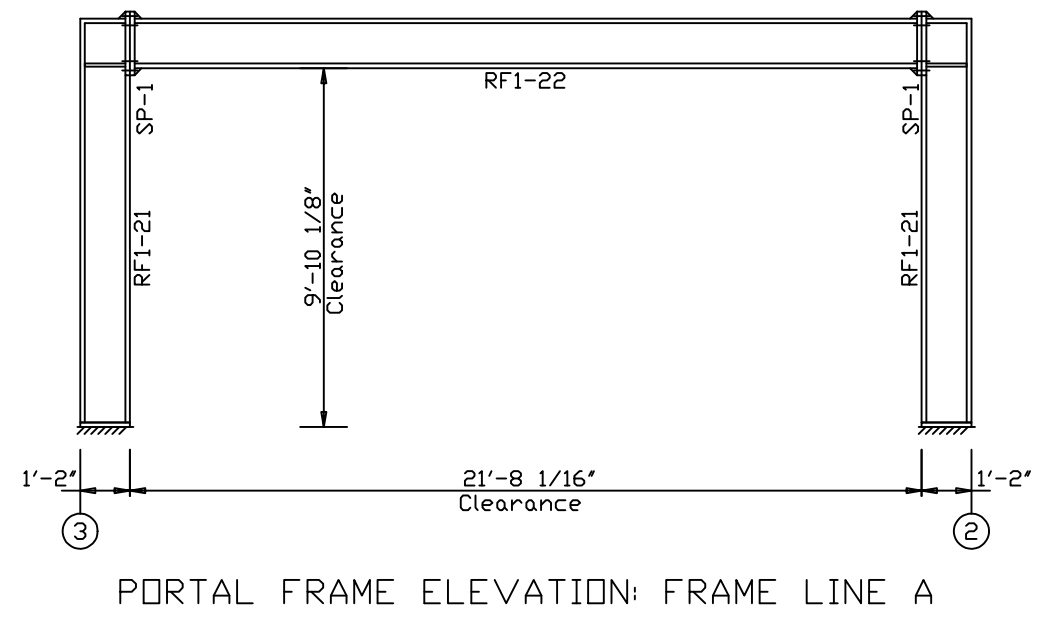


	REV. 3	DESCRIPTION: DRAWING RELEASED FOR CONSTRUCTION	DATE: 1/22/24	DRAFT: RPG	ENG: JEB
	1	PRELIMINARY DRAWING: NOT FOR CONSTRUCTION / FOR PERMIT ONLY	DATE: 1/08/24	MAD: JEB	ENG: JEB
	2	PRELIMINARY DRAWING: NOT FOR CONSTRUCTION / FOR PERMIT ONLY	CURRENT REVISION: 2		
	PROJECT: Boston Outdoor Living		PACKAGE STEEL SYSTEMS, INC. Boston Outdoor Living		
ID: 2309-122	DESIGN: LPB	DESIGN CHECK: JEB			
PROJECT: 220 Sturbridge Road	DRAFT: MAD	DRAFT CHECK: MAD			
ADDRESS: Charlton, MA 01507	DATE: 10/26/23	DRAWING: SWFS-1			

MEMBER SIZE TABLE				
MARK	MEMBER	LENGTH	WEIGHT	
RF1-21	W14X34	11'-0"	442	
RF1-22	W14X34	21'-6 7/8"	833	

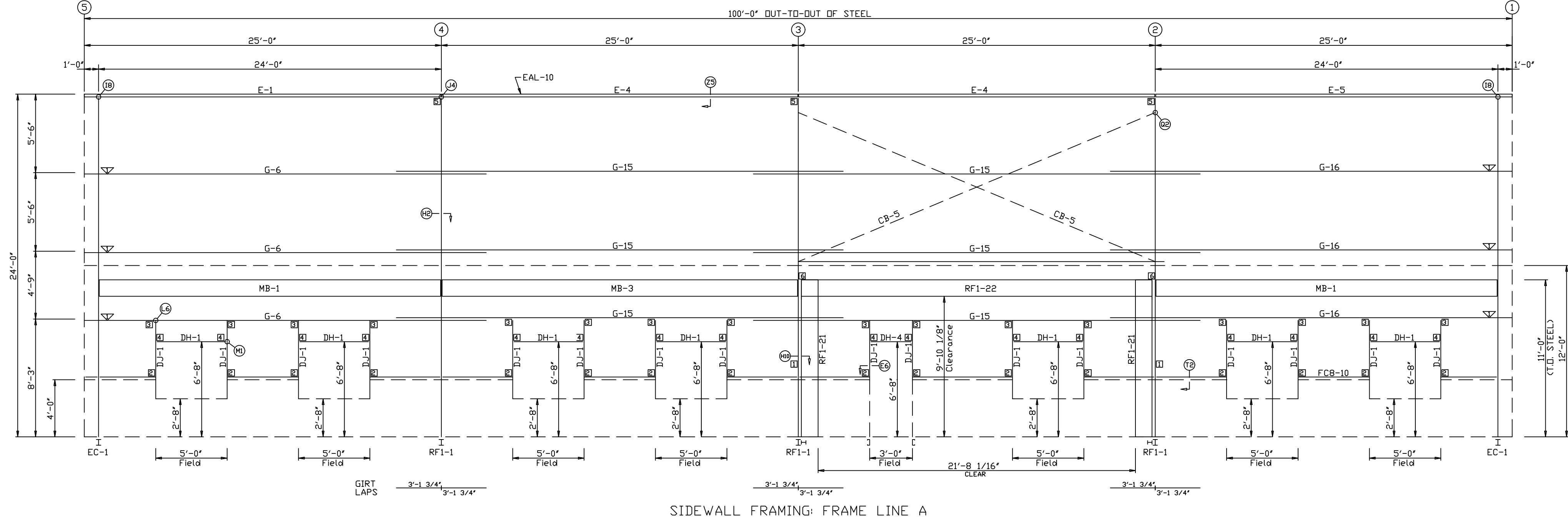
  

SPLICE BOLT TABLE							
Mark	Qty	Top	Bot	Int	Type	Dia	Length
SP-1	4	4	0	A325	1 1/4"	3	1 1/2"



TRIM TABLE						
QTY	QUAN	PART	LENGTH	DESCRIPTION	COLOR	DETAIL
1	2	DCT 10	10'-3"	OUTSIDE CORNER TRIM	200 True Black	TRIM_40
2	3	SF 10	10'-3"	BASE SILL FLASHING	300 Brite Red	T2
3	4	SF 10	10'-3"	BASE SILL FLASHING	200 True Black	T2
4	2	DCT 10	10'-3"	OUTSIDE CORNER TRIM	300 Brite Red	TRIM_40
5	6	FG 10	10'-3"	FACIA GUTTER	200 True Black	TRIM_2
6	1	FG 15	15'-3"	FACIA GUTTER	200 True Black	TRIM_2
7	1	NBET 10	10'-3"	EAVE TRIM	200 True Black	TRIM_2
8	1	LMCC 1L	1'-0"	LDW CORNER COVER	200 True Black	TRIM_2
9	1	LMCC 1R	1'-0"	LDW CORNER COVER	200 True Black	TRIM_2
10	1	GECL	6"	GUTTER END CAP	500 Regal White	
11	1	LMCC 1R	1'-0"	LDW CORNER COVER	300 Brite Red	
12	1	GECL	6"	GUTTER END CAP	500 Regal White	
13	1	JF 8	8'-3"	JAMB FLASHING	200 True Black	TRIM_31
14	1	DC 8	8'-3"	JAMB FLASHING	200 True Black	TRIM_31
15	1	HF 6	6'-8"	HEADER FLASHING	200 True Black	TRIM_30
16	1	JF 7	7'-3"	JAMB FLASHING	200 True Black	TRIM_34
17	1	HF 4	4'-8"	HEADER FLASHING	200 True Black	TRIM_33
18	1	JF 8	8'-3"	JAMB FLASHING	300 Brite Red	TRIM_31
19	1	DC 8	8'-3"	JAMB FLASHING	300 Brite Red	TRIM_31
20	1	HF 6	6'-8"	HEADER FLASHING	300 Brite Red	TRIM_30
21	1	FG 10	10'-3"	FACIA GUTTER	300 Brite Red	TRIM_2
22	1	FG 15	15'-3"	FACIA GUTTER	300 Brite Red	TRIM_2
23	1	NBET 10	10'-3"	EAVE TRIM	300 Brite Red	TRIM_2

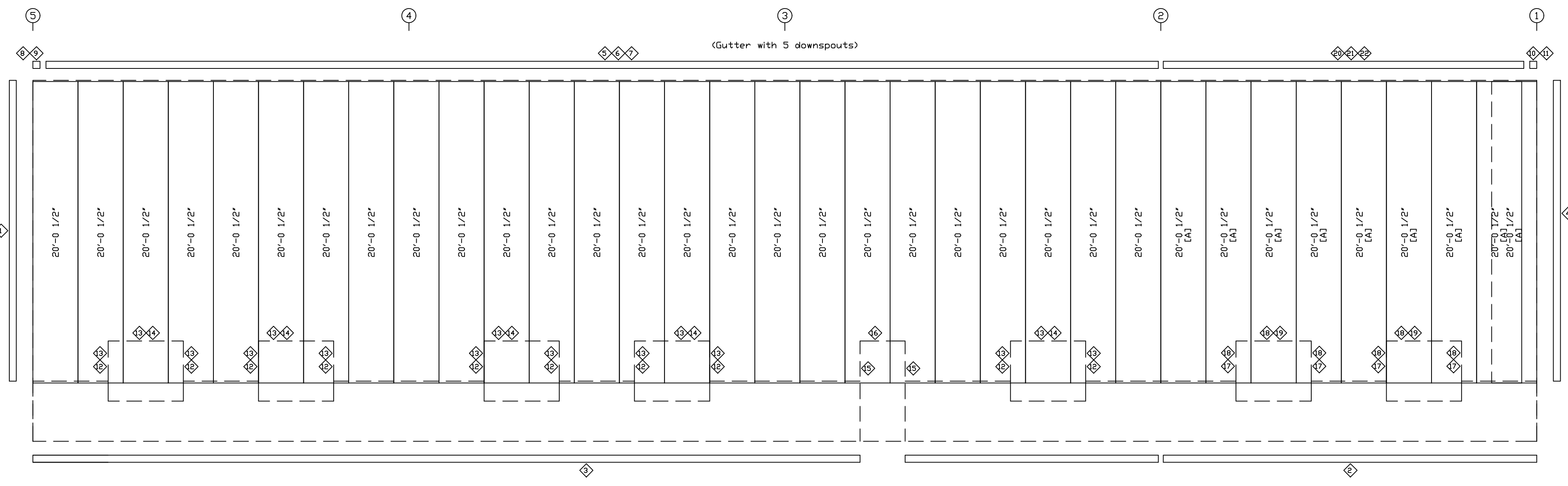
BOLT TABLE				
LOCATION	QUAN	TYPE	DIAM	LENGTH
AC-3 - RF1-1	12	A325	3/4"	8"
AC-3 - RF1-21	6	A325	3/4"	2 1/4"
WBS-1 - RF1-21	8	A325	1/2"	1 1/2"
WBS-1 - RF1-1	8	A325	1/2"	1 1/4"



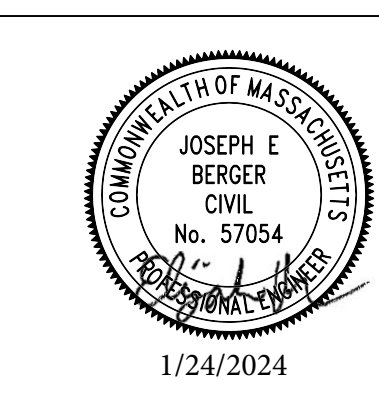
MEMBER TABLE				
QTY	MARK	PART	LENGTH	
16	DJ-1	8x25C16	3'-10 3/4"	
7	DH-1	8x25C16	5'-0"	
1	DH-4	8x25C16	3'-0"	
1	E-4	10ESL114	24'-11 5/8"	
1	E-4	10ESL114	24'-11 3/4"	
1	E-5	10ESL114	24'-11 5/8"	
3	G-6	8x25Z14	20'-1 1/2"	
6	G-15	8x25Z16	31'-3 1/2"	
6	G-16	8x25Z14	20'-1 1/2"	
2	MB-3	C80S00	27'-3"	
2	MB-1	W14X30	23'-10 3/4"	
1	MB-3	W14X30	24'-10 3/4"	

FLANGE BRACE TABLE				
QTY	MARK	LENGTH	DIAP	
1	FB-3A	11'-11 1/4"	18"	FB-3

CONNECTION PLATES				
QTY	MARK	LENGTH	DIAP	
1	WBS-1	11'-11 1/4"	18"	FB-3
3	JGC-3	16"	16"	JGC-3
4	JGC-2	16"	16"	JGC-2
4	JGC-2	16"	16"	JGC-2
4	AC-3	16"	16"	AC-3



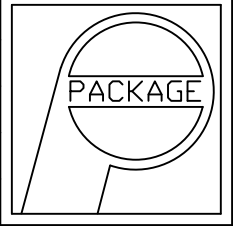
SIDEWALL SHEETING & TRIM: FRAME LINE A  
 PANELS: 26 Ga. PBR (Std. Roll) - 200 True Black  
 (A) PANELS: 26 Ga. PBR (Std. Roll) - 300 Brite Red



REV.	DESCRIPTION	DATE	DRAFT	ENG.
3				
2	DRAWING RELEASED FOR CONSTRUCTION	1/22/24	RPG	JEB
1	PRELIMINARY DRAWING: NOT FOR CONSTRUCTION / FOR PERMIT ONLY	1/08/24	MAD	JEB
0	PRELIMINARY DRAWING: NOT FOR CONSTRUCTION / FOR PERMIT ONLY			

PACKAGE STEEL SYSTEMS, INC.	Boston Outdoor Living
PROJECT: Boston Outdoor Living	SIDEWALL FRAMING & SHEETING
ID: 2309-122	DESIGN: LPB
PROJECT: 220 Sturbridge Road	DRAFT: MAD
ADDRESS: Charlton, MA 01507	DATE: 10/26/23



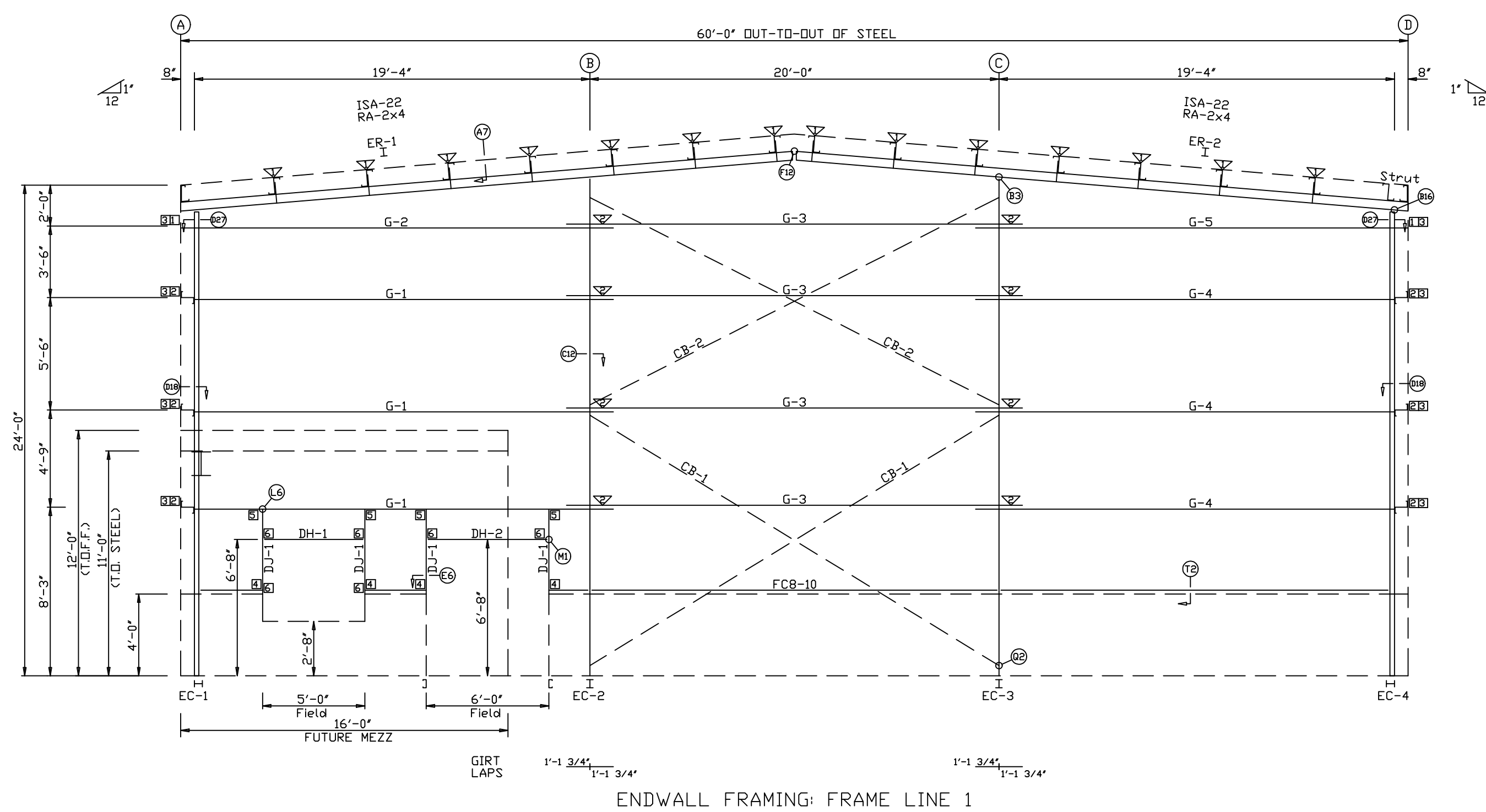
TRIM TABLE FRAME LINE 1 & 5						
QTY	QUAN	PART	LENGTH	DESCRIPTION	COLOR	DETAIL
1	6	SF 10	10'-3"	SILL FLASHING	300 Brite Red	T2
2	4	FT 10	10'-3"	OUTSIDE CORNER TRIM	300 Brite Red	TRIM_40
3	6	GHT 10	10'-3"	FACIA TRIM	200 True Black	TRIM_20
4	6	GHT 10	10'-3"	GABLE HAT TRIM	200 True Black	TRIM_20
5	1	FPC S1	1'-8"	FACIA PEAK COVER	200 True Black	TRIM_31
6	1	JF 8	8'-3"	JAMB FLASHING	300 Brite Red	TRIM_30
7	1	DC 8	8'-3"	DOOR COVER TRIM	300 Brite Red	TRIM_30
8	2	HF 6	6'-8"	HEADER FLASHING	300 Brite Red	TRIM_33
9	2	JF 7	7'-3"	JAMB FLASHING	300 Brite Red	TRIM_34
10	1	HF 6	6'-8"	HEADER FLASHING	300 Brite Red	TRIM_33
11	4	DCT 10	10'-3"	OUTSIDE CORNER TRIM	200 True Black	TRIM_40
12	6	SF 10	10'-3"	SILL FLASHING	200 True Black	T2
13	2	JF 7	7'-3"	JAMB FLASHING	200 True Black	TRIM_34
14	2	HF 4	4'-8"	HEADER FLASHING	200 True Black	TRIM_33
15	6	GHT 10	10'-3"	FACIA TRIM	300 Brite Red	TRIM_20
16	6	GHT 10	10'-3"	GABLE HAT TRIM	300 Brite Red	TRIM_20
17	1	FPC S1	1'-8"	FACIA PEAK COVER	300 Brite Red	TRIM_20

BOLT TABLE FRAME LINE 1 & 5				
LOCATION	QUAN	TYPE	DIAM	LENGTH
ER-1/ER-2	8	A325	5/8"	1 3/4"
ER-1/ER-1	8	A325	5/8"	1 3/4"
Columns/Gab	4	A325	1/2"	1 1/4"

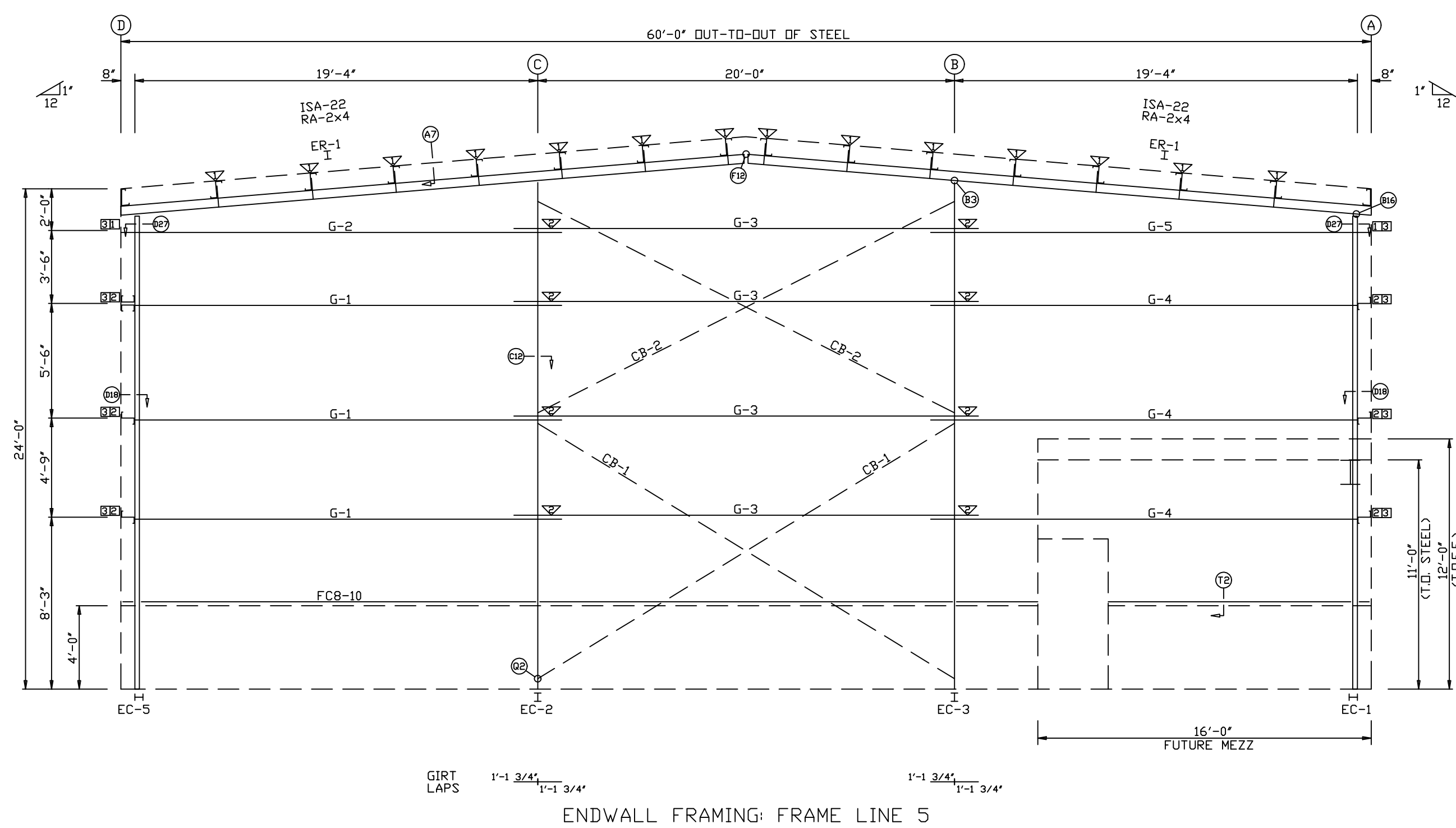
MEMBER TABLE FRAME LINE 1 & 5				
MEMBER	QUAN	MARK	TYPE	LENGTH
EC-1	2	W10X15	22'-5 7/16"	
EC-2	2	W10X15	24'-0 1/8"	
EC-3	2	W10X15	24'-0 1/8"	
EC-4	2	W10X15	22'-5 7/16"	
EC-5	2	W10X15	22'-5 7/16"	
ER-1	1	W10X15	30'-1 1/4"	
ER-2	1	W10X15	30'-1 1/4"	
DH-1	1	8x25C16	3'-10 3/4"	
DH-2	1	8x25C16	3'-10 3/4"	
DH-3	1	8x25C16	3'-10 3/4"	
DH-4	1	8x25C16	3'-10 3/4"	
G-1	6	8x25Z16	20'-5 1/2"	
G-2	6	8x25Z16	20'-5 1/2"	
G-3	6	8x25Z16	20'-5 1/2"	
G-4	6	8x25Z16	20'-5 1/2"	
G-5	6	8x25Z16	20'-5 1/2"	
CB-1	2	CB0375	24'-1 1/2"	
CB-2	2	CB0375	23'-1"	

FLANGE BRACE TABLE FRAME LINE 1 & 5				
MEMBER	QUAN	MARK	LENGTH	CLIP
FBC-1	1	FBC33A	17'-11 1/4"	FBC-1
FBC-2	1	FBC33A	17'-11 1/4"	FBC-1
FBC-3	2	FBC33A	17'-11 1/4"	FBC-1

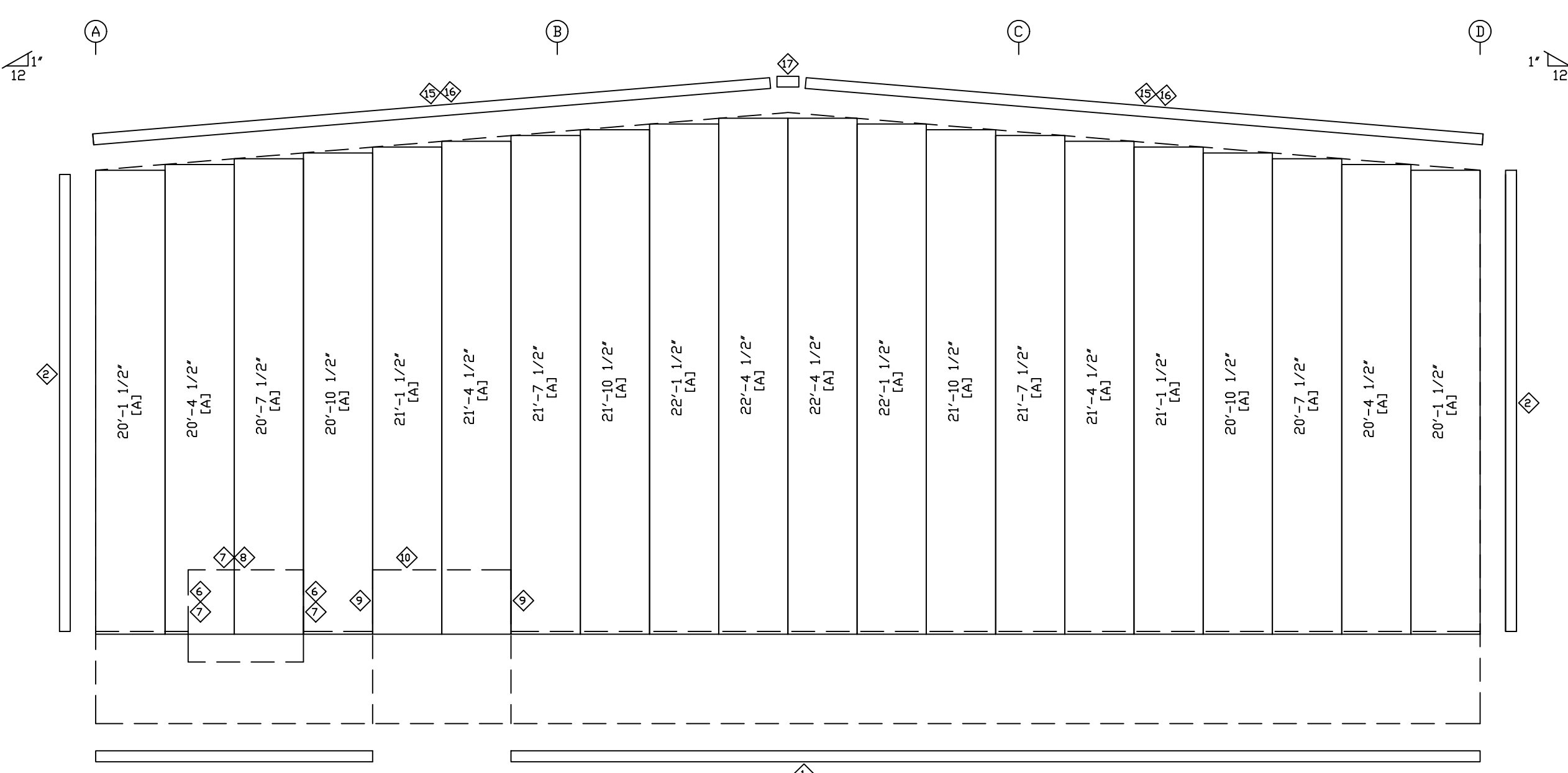
CONNECTION PLATES FRAME LINE 1 & 5			
MEMBER	QUAN	MARK	PART
CP-1	3	CP-1	BCC-B
CP-2	3	CP-2	BCC-B
CP-3	3	CP-3	BCC-B
CP-4	3	CP-4	JCC-3
CP-5	3	CP-5	JCC-3
CP-6	3	CP-6	JCC-3
CP-7	3	CP-7	JCC-3
CP-8	3	CP-8	JCC-3
CP-9	3	CP-9	JCC-3
CP-10	3	CP-10	JCC-3
CP-11	3	CP-11	JCC-3
CP-12	3	CP-12	JCC-3
CP-13	3	CP-13	JCC-3
CP-14	3	CP-14	JCC-3
CP-15	3	CP-15	JCC-3
CP-16	3	CP-16	JCC-3
CP-17	3	CP-17	JCC-3
CP-18	3	CP-18	JCC-3
CP-19	3	CP-19	JCC-3
CP-20	3	CP-20	JCC-3
CP-21	3	CP-21	JCC-3
CP-22	3	CP-22	JCC-3
CP-23	3	CP-23	JCC-3
CP-24	3	CP-24	JCC-3
CP-25	3	CP-25	JCC-3
CP-26	3	CP-26	JCC-3
CP-27	3	CP-27	JCC-3
CP-28	3	CP-28	JCC-3
CP-29	3	CP-29	JCC-3
CP-30	3	CP-30	JCC-3
CP-31	3	CP-31	JCC-3
CP-32	3	CP-32	JCC-3
CP-33	3	CP-33	JCC-3
CP-34	3	CP-34	JCC-3
CP-35	3	CP-35	JCC-3
CP-36	3	CP-36	JCC-3
CP-37	3	CP-37	JCC-3
CP-38	3	CP-38	JCC-3
CP-39	3	CP-39	JCC-3
CP-40	3	CP-40	JCC-3
CP-41	3	CP-41	JCC-3
CP-42	3	CP-42	JCC-3
CP-43	3	CP-43	JCC-3
CP-44	3	CP-44	JCC-3
CP-45	3	CP-45	JCC-3
CP-46	3	CP-46	JCC-3
CP-47	3	CP-47	JCC-3
CP-48	3	CP-48	JCC-3
CP-49	3	CP-49	JCC-3
CP-50	3	CP-50	JCC-3
CP-51	3	CP-51	JCC-3
CP-52	3	CP-52	JCC-3
CP-53	3	CP-53	JCC-3
CP-54	3	CP-54	JCC-3
CP-55	3	CP-55	JCC-3
CP-56	3	CP-56	JCC-3
CP-57	3	CP-57	JCC-3
CP-58	3	CP-58	JCC-3
CP-59	3	CP-59	JCC-3
CP-60	3	CP-60	JCC-3
CP-61	3	CP-61	JCC-3
CP-62	3	CP-62	JCC-3
CP-63	3	CP-63	JCC-3
CP-64	3	CP-64	JCC-3
CP-65	3	CP-65	JCC-3
CP-66	3	CP-66	JCC-3
CP-67	3	CP-67	JCC-3
CP-68	3	CP-68	JCC-3
CP-69	3	CP-69	JCC-3
CP-70	3	CP-70	JCC-3
CP-71	3	CP-71	JCC-3
CP-72	3	CP-72	JCC-3
CP-73	3	CP-73	JCC-3
CP-74	3	CP-74	JCC-3
CP-75	3	CP-75	JCC-3
CP-76	3	CP-76	JCC-3
CP-77	3	CP-77	JCC-3
CP-78	3	CP-78	JCC-3
CP-79	3	CP-79	JCC-3
CP-80	3	CP-80	JCC-3
CP-81	3	CP-81	JCC-3
CP-82	3	CP-82	JCC-3
CP-83	3	CP-83	JCC-3
CP-84	3	CP-84	JCC-3
CP-85	3	CP-85	JCC-3
CP-86	3	CP-86	JCC-3
CP-87	3	CP-87	JCC-3
CP-88	3	CP-88	JCC-3
CP-89	3	CP-89	JCC-3
CP-90	3	CP-90	JCC-3
CP-91	3	CP-91	JCC-3
CP-92	3	CP-92	JCC-3
CP-93	3	CP-93	JCC-3
CP-94	3	CP-94	JCC-3
CP-95	3	CP-95	JCC-3
CP-96	3	CP-96	JCC-3
CP-97	3	CP-97	JCC-3
CP-98	3	CP-98	JCC-3
CP-99	3	CP-99	JCC-3
CP-100	3	CP-100	JCC-3



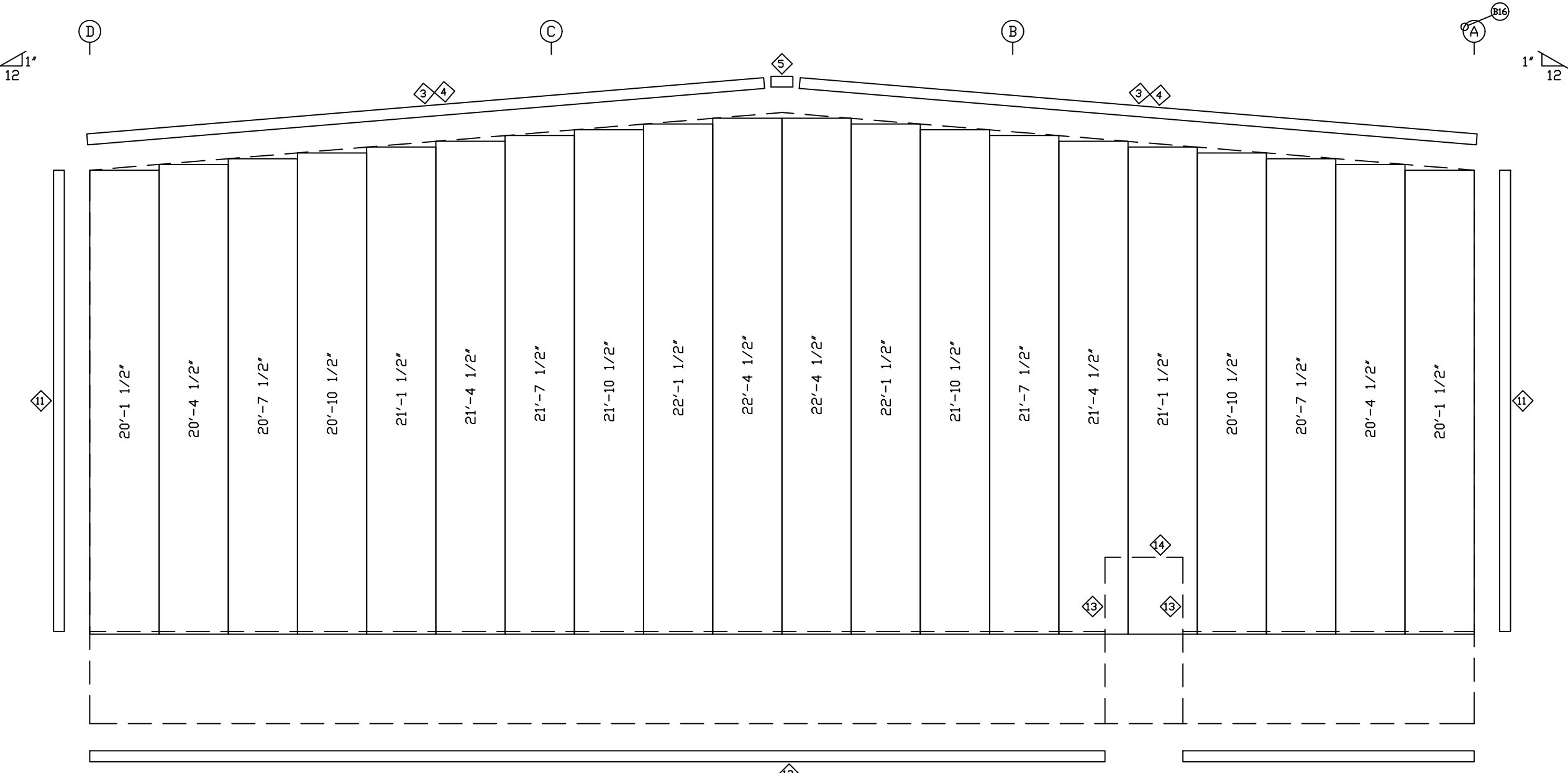
ENDWALL FRAMING: FRAME LINE 1



ENDWALL FRAMING: FRAME LINE 5



ENDWALL SHEETING & TRIM: FRAME LINE 1  
(A) PANELS: 26 Ga. PBR (Std. Roll) - 300 Brite Red



ENDWALL SHEETING & TRIM: FRAME LINE 5  
PANELS: 26 Ga. PBR (Std. Roll) - 200 True Black

COMMONWEALTH OF MASSACHUSETTS

JOSEPH E BERGER

CIVIL

No. 57054

1/24/2024

REV.	DESCRIPTION	DATE	DRAFT	ENG.
3				
Δ	DRAWING RELEASED FOR CONSTRUCTION	1/22/24	RPG	JEB
Δ	PRELIMINARY DRAWING: NOT FOR CONSTRUCTION / FOR PERMIT ONLY	1/08/24	MAD	JEB
Δ	PRELIMINARY DRAWING: NOT FOR CONSTRUCTION / FOR PERMIT ONLY			
CURRENT REVISION: 2				
PACKAGE STEEL SYSTEMS, INC.		Boston Outdoor Living		
PROJECT	Boston Outdoor Living	ENDWALL FRAMING & SHEETING		
ID	2309-122	DESIGN:LPB	DESIGN CHECK:JEB	
PROJECT	220 Sturbridge Road	DRAFT:MAD	DRAFT CHECK:MAD	
ADDRESS	Charlton, MA 01507	DATE: 10/26/23	DRAWING:EWFS-1	

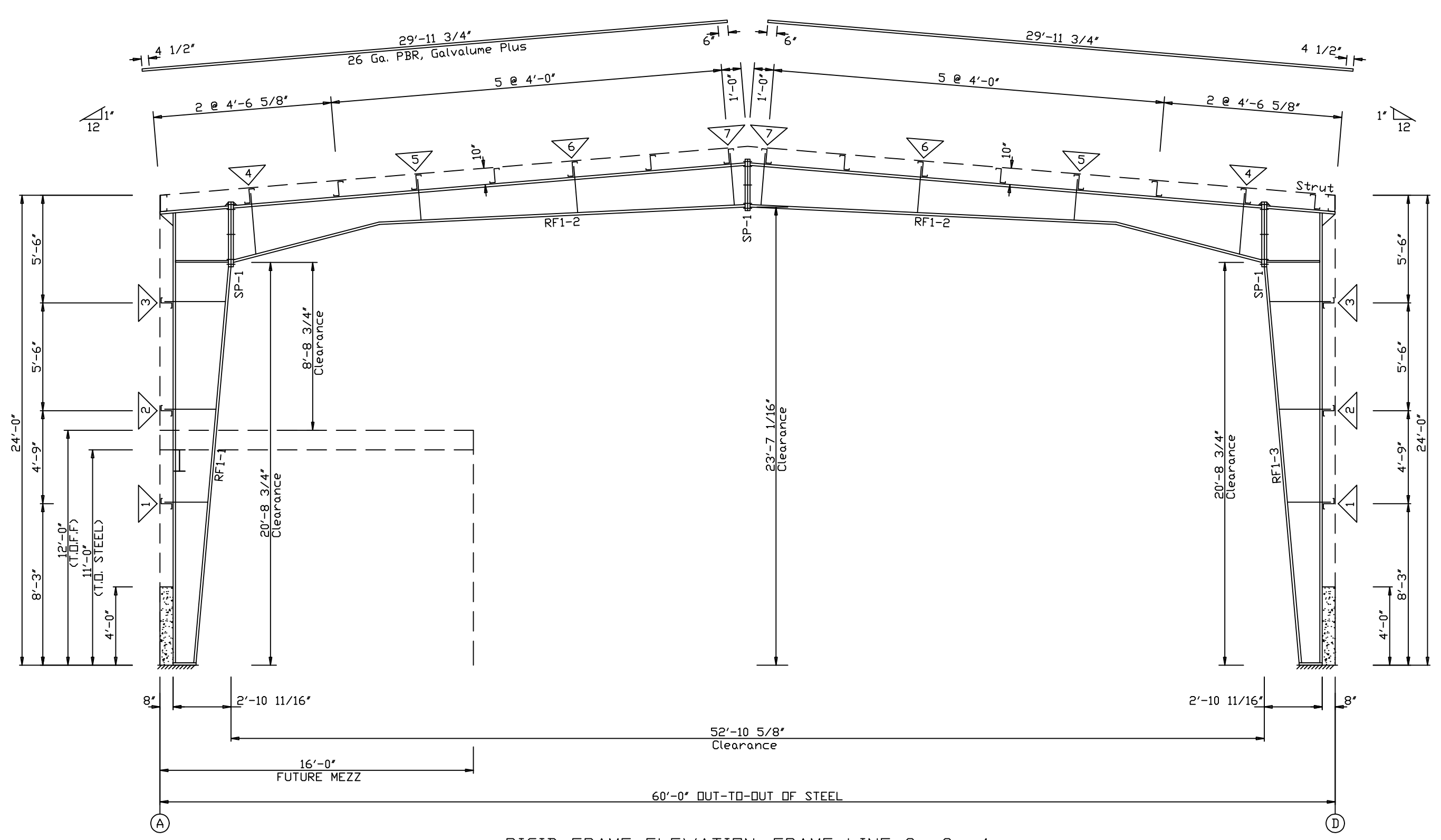
PACKAGE

FLANGE BRACE TABLE						
V ID	MARK	LENGTH	SIDES	DETAIL	CLIP1	CLIP2
1	FB28.8A	2'-4 3/4"	1	026	CL 208	CL 200
2	FB41.5A	3'-5 1/2"	1	026	CL 208	CL 200
3	FB45.5B	3'-9 1/2"	1	026	CL 208	CL 200
4	FB43.8A	3'-7 3/4"	2	026	CL 210	CL 200
5	FB26.8A	2'-2 3/4"	1	026	CL 210	CL 200
6	FB28.8A	2'-4 3/4"	1	026	CL 210	CL 200
7	FB40.5B	3'-4 1/2"	1	026	CL 210	CL 200

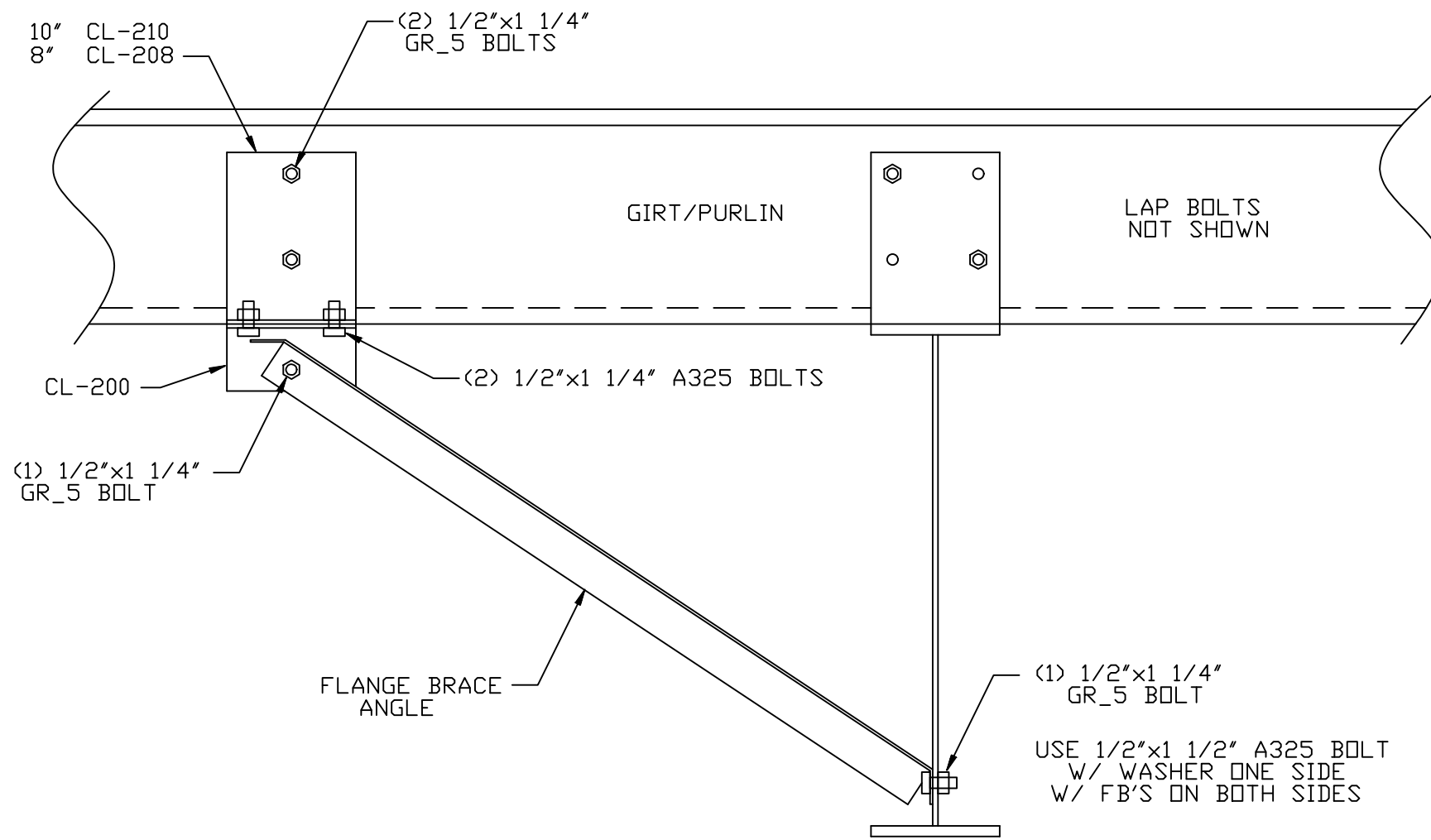
FBxA - 1-1/2"x1-1/2"x1/8"  
 FBxB - 2"x2"x1/8"  
 FBxC - 2-1/2"x2-1/2"x3/16"

SPLICE BOLT TABLE						
Mark	Qty	Top	Bot	Int	Type	Length
SP-1	4	4	2	A325	7/8"	2 1/2"

MEMBER TABLE						
Mark	Weight	Web Depth Start/End	Web Plate Thick	Length	Outside Flange W x Thk x Length	Inside Flange W x Thk x Length
RF1-1	916	110/330	0.250	234.0	6 x 5/16" x 277.8	6 x 3/8" x 245.3
RF1-2	898	33.0/34.0	0.315	46.6	6 x 3/8" x 42.4	6 x 3/8" x 93.6
RF1-3	911	16.0/24.0	0.250	92.2	6 x 3/8" x 316.9	6 x 3/8" x 225.4
		34.0/33.0	0.315	46.6	6 x 3/8" x 42.4	6 x 3/8" x 245.3
		33.0/11.0	0.250	234.0	6 x 5/16" x 277.8	6 x 3/8" x 245.3



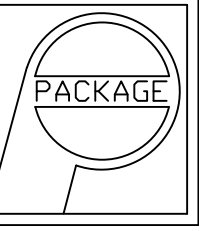
RIGID FRAME ELEVATION: FRAME LINE 2 3 4



G26 RIGID FRAME FLANGE BRACE ANGLE DETAIL  
 (USED WITH ENERGY SAVER INSULATION)



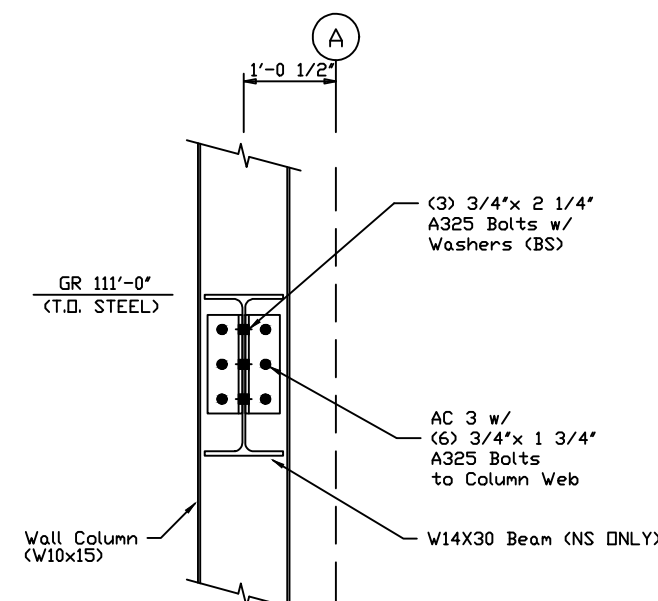
REV.	DESCRIPTION	DATE	DRAFT	ENG.
3				
Δ	DRAWING RELEASED FOR CONSTRUCTION	1/22/24	RPG	JEB
Δ	PRELIMINARY DRAWING: NOT FOR CONSTRUCTION / FOR PERMIT ONLY	1/08/24	MAD	JEB
Δ	PRELIMINARY DRAWING: NOT FOR CONSTRUCTION / FOR PERMIT ONLY			
CURRENT REVISION: 2				
PACKAGE STEEL SYSTEMS, INC.		Boston Outdoor Living		
PROJECT	Boston Outdoor Living	RIGID FRAME X-SECTION		
ID	2309-122	DESIGN: LPB	DESIGN CHECK: JEB	
PROJECT	220 Sturbridge Road	DRAFT: MAD	DRAFT CHECK: MAD	
ADDRESS	Charlton, MA 01507	DATE: 10/26/23	DRAWING: FRXS-1	



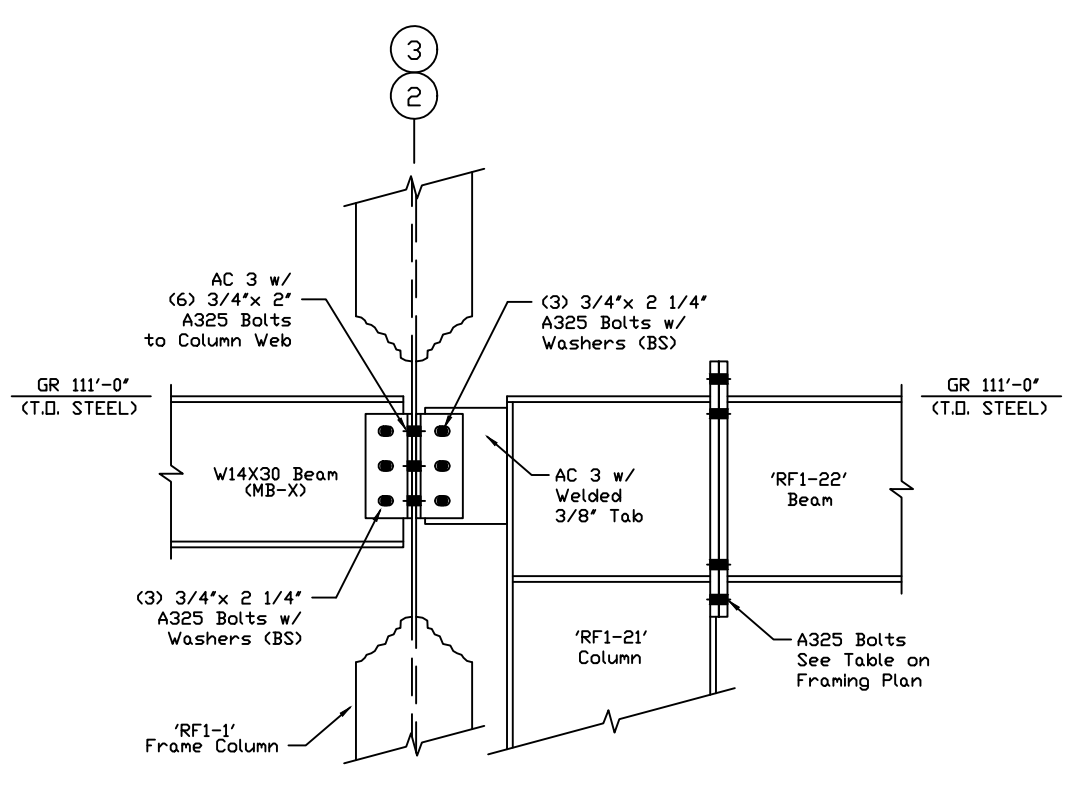
MEMBER TABLE			
QUAN	MARK	PARTY	LENGTH
2	MB-1	W14X30	25'-10" 3/4"
1	MB-3	W14X30	24'-10" 3/4"

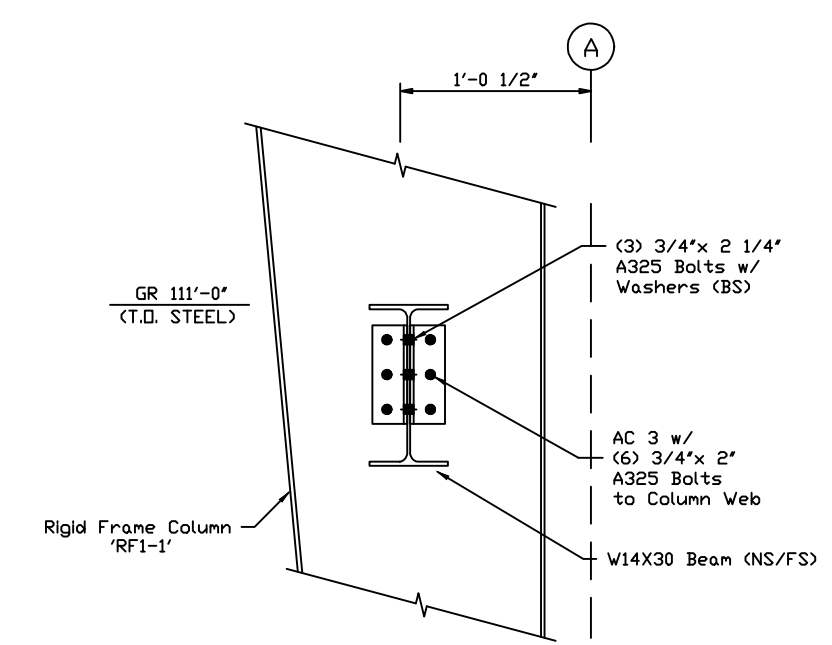
CONNECTION PLATES		
QUAN	MARK	PARTY
3	16	AC-3



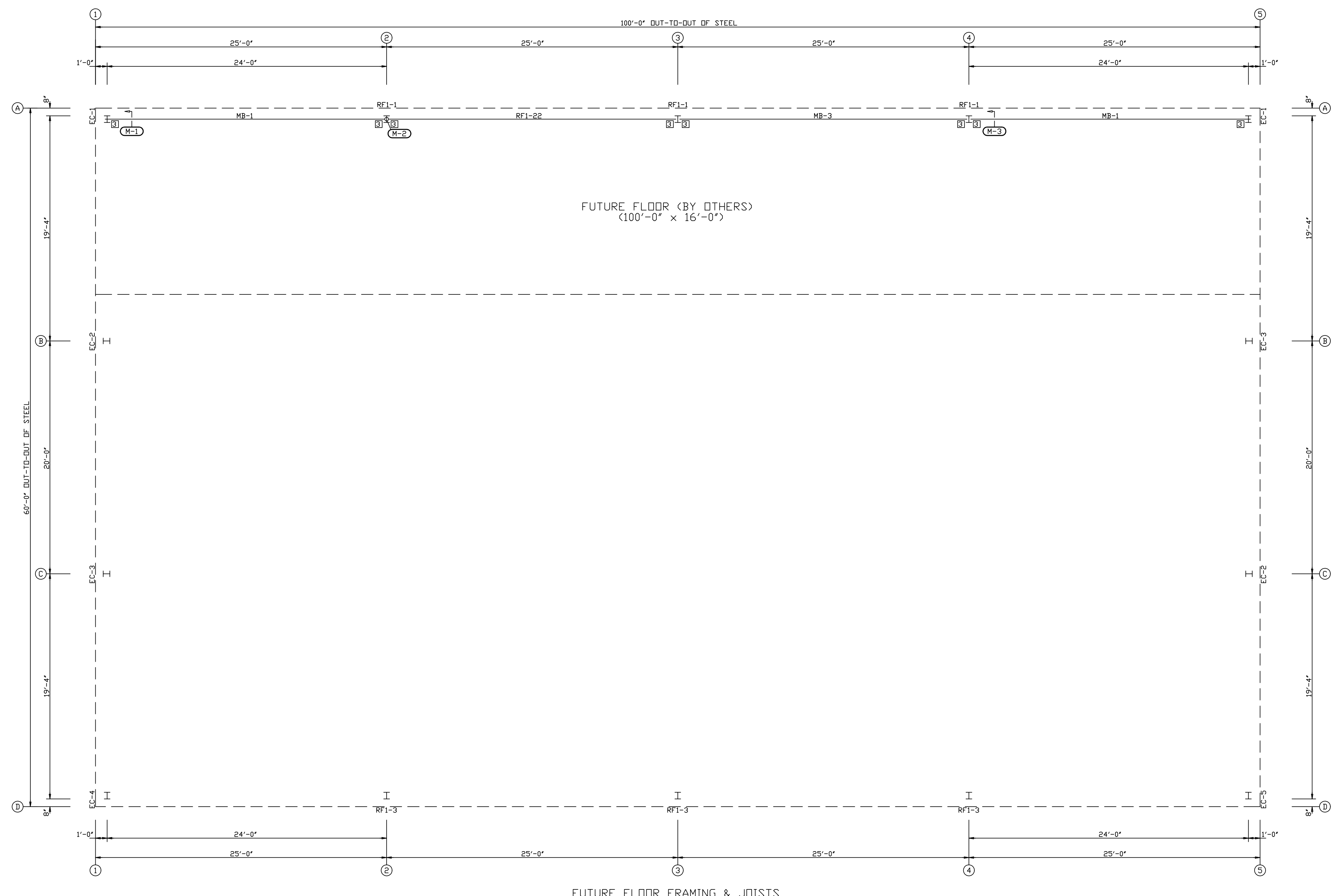
**M-1** BEAM TO END COLUMN CONNECTION  
TYPICAL 2 PLACES



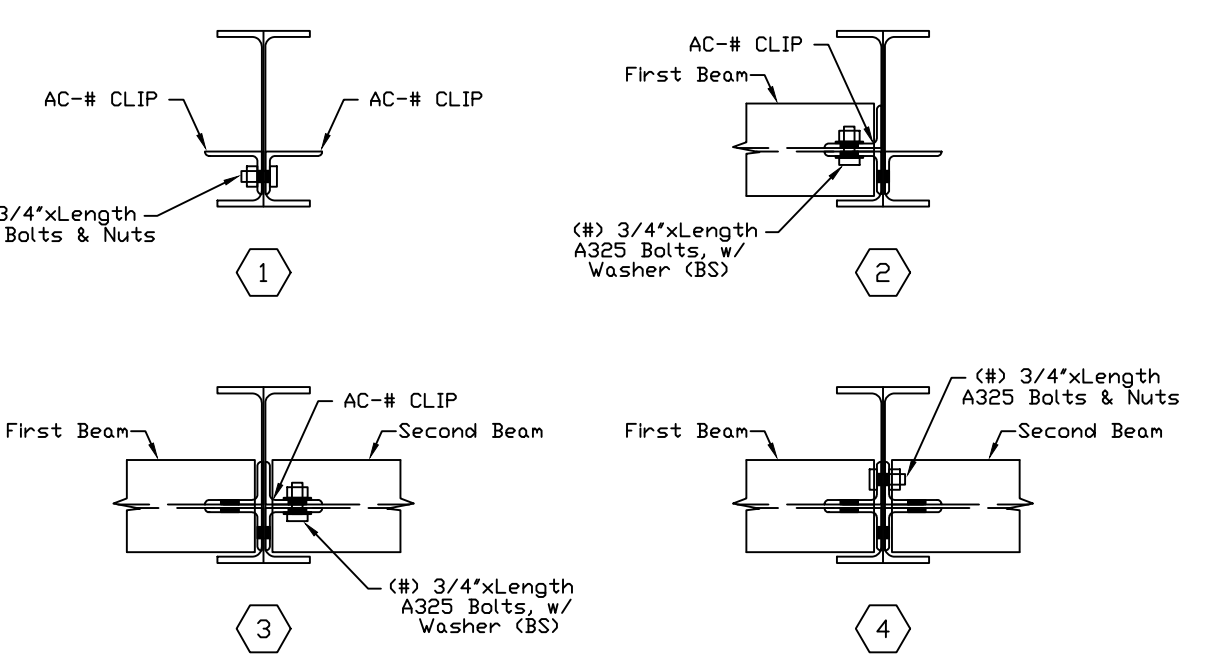
**M-2** PORTAL TO RIGID FRAME CONNECTION  
TYPICAL 2 PLACES



**M-3** BEAM TO RIGID FRAME CONNECTION  
TYPICAL 1 PLACE



FUTURE FLOOR FRAMING & JOISTS

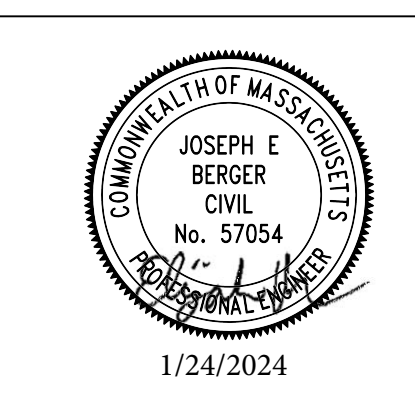


**M-39** Erection Sequence for Beams NS/FS

**FLOOR FRAMING & JOISTS**

FINISH FLOOR = GR. 112'-0"  
T.O. STEEL = GR. 111'-0"

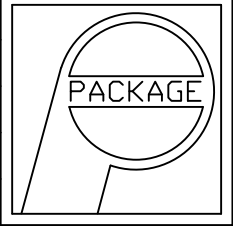
**MEZZANINE LOADS**  
DEAD LOAD = 25.00 p.s.f.  
COLL. LOAD = 10.00 p.s.f.  
LIVE LOAD = 80.00 p.s.f.  
TOTAL LOAD = 115.00 p.s.f.



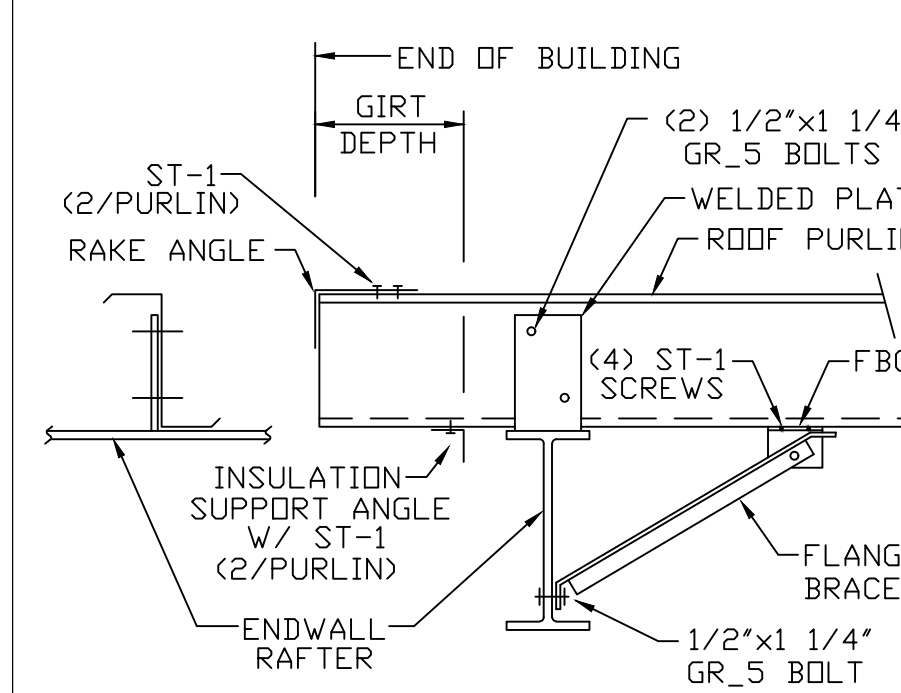
REV.	DESCRIPTION	DATE	DRAFT	ENG.
3				
2	DRAWING RELEASED FOR CONSTRUCTION	1/22/24	RPG	JEB
1	PRELIMINARY DRAWING: NOT FOR CONSTRUCTION / FOR PERMIT ONLY	1/08/24	MAD	JEB
	PRELIMINARY DRAWING: NOT FOR CONSTRUCTION / FOR PERMIT ONLY			CURRENT REVISION: 2

PROJECT	Boston Outdoor Living	MEZZANINE FRAMING
ID	2309-122	DESIGN: LPB
PROJECT	220 Sturbridge Road	DESIGN CHECK: JEB
ADDRESS	Charlton, MA 01507	DRAFT: MAD
		DATE: 10/26/23
		DRAWING: MEZZ-1

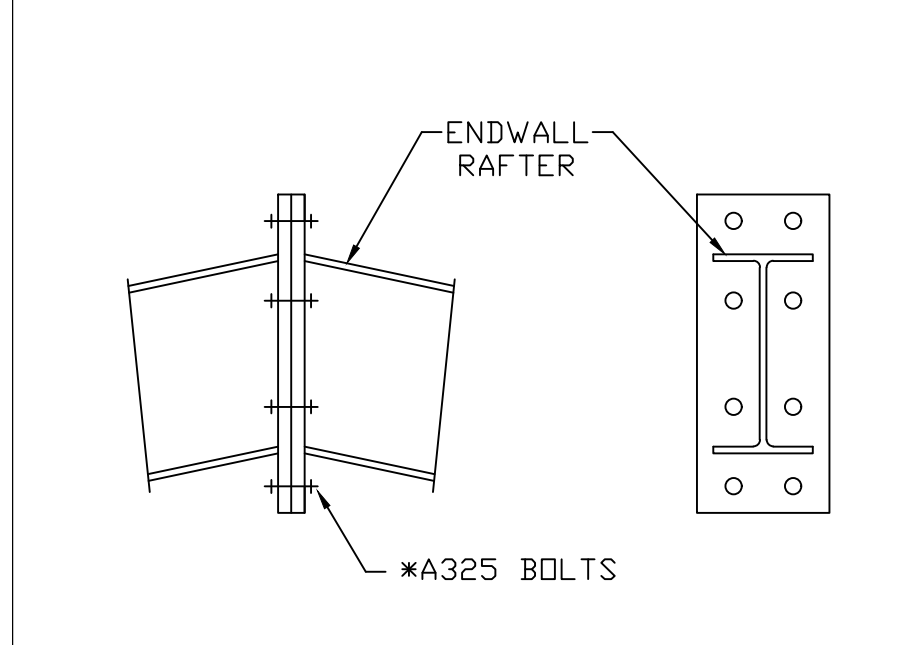


\* SEE ENDWALL ERECTION DRAWING FOR SPECIFIC FLANGE BRACE LOCATIONS.



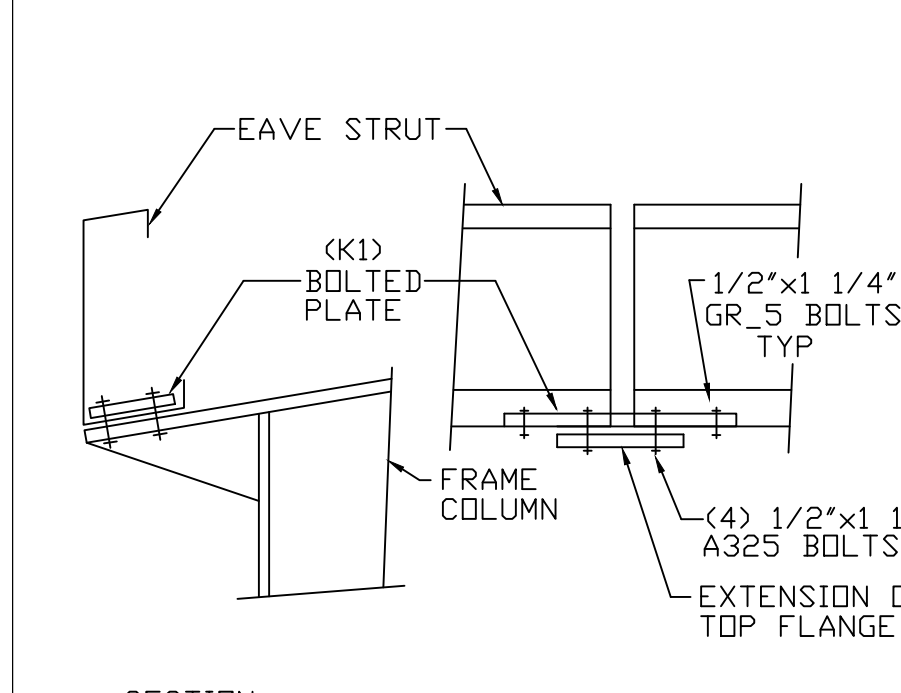
**A7** SECTION THRU ENDWALL RAFTER (ENERGY SAVER)

\* SEE BOLT TABLE ON ENDWALL ERECTION DRAWING FOR BOLT DIAMETER AND LENGTH.



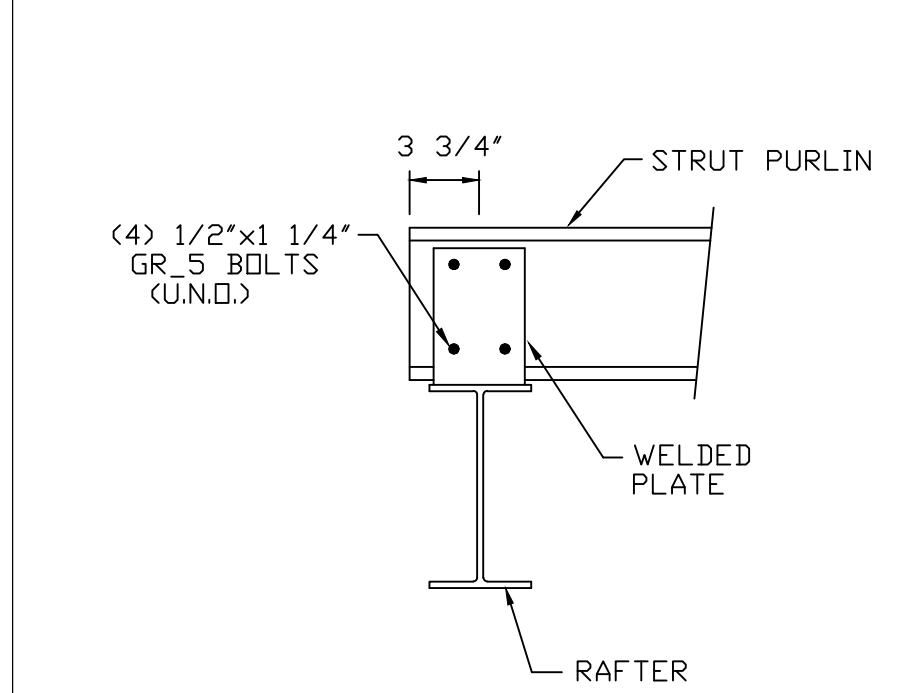
**F12** ENDWALL RAFTER SPLICE AT RIDGE

\* SEE BOLT TABLE ON ENDWALL ERECTION DRAWING FOR BOLT DIAMETER AND LENGTH.



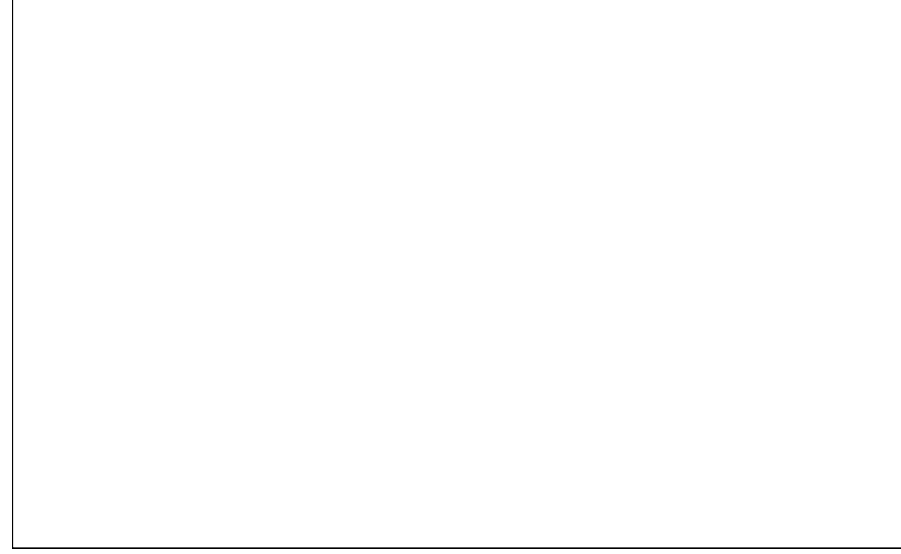
**J4** EAVE STRUT TO RIGID FRAME w/SUPPORT PLATE

\* SEE ENDWALL ERECTION DRAWING FOR BOLT DIAMETER AND LENGTH.



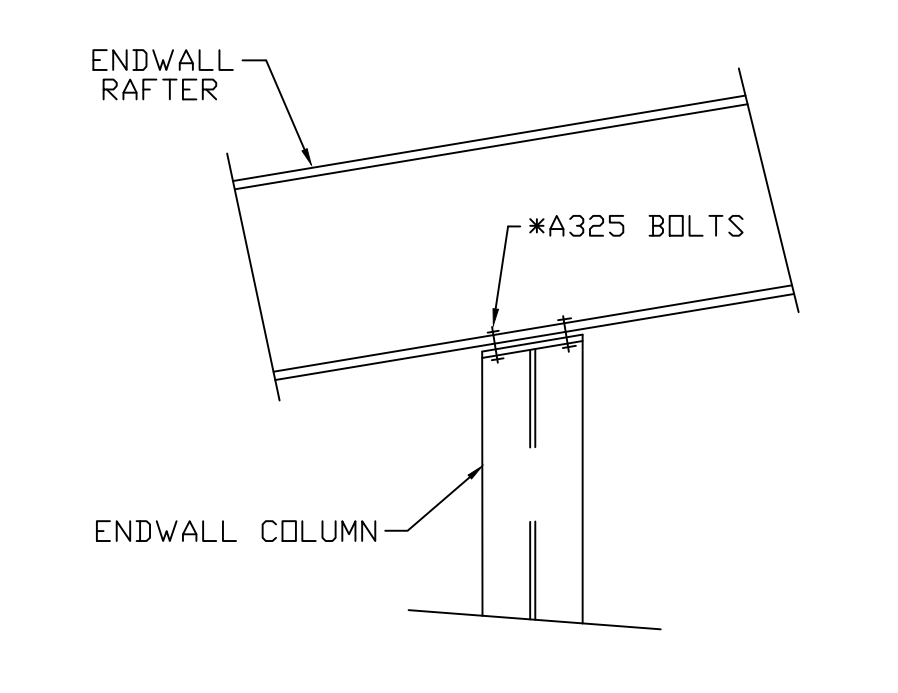
**S4** STRUT PURLIN CONNECTION

\* SEE BOLT TABLE ON ENDWALL ERECTION DRAWING FOR BOLT DIAMETER AND LENGTH.



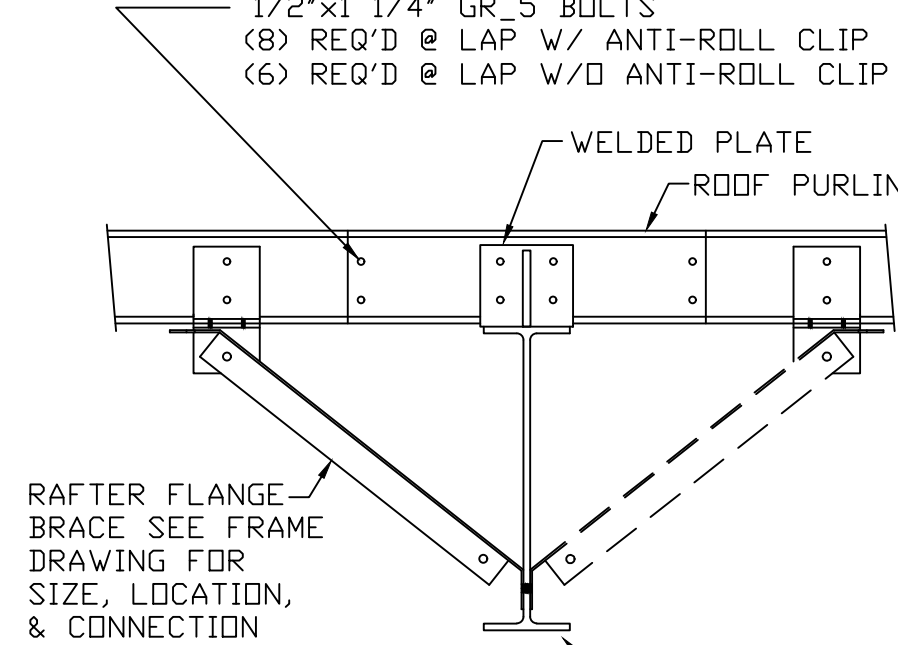
**S4X** STRUT PURLIN CONNECTION (ADJACENT BAYS)

\* SEE BOLT TABLE ON ENDWALL ERECTION DRAWING FOR BOLT DIAMETER AND LENGTH.



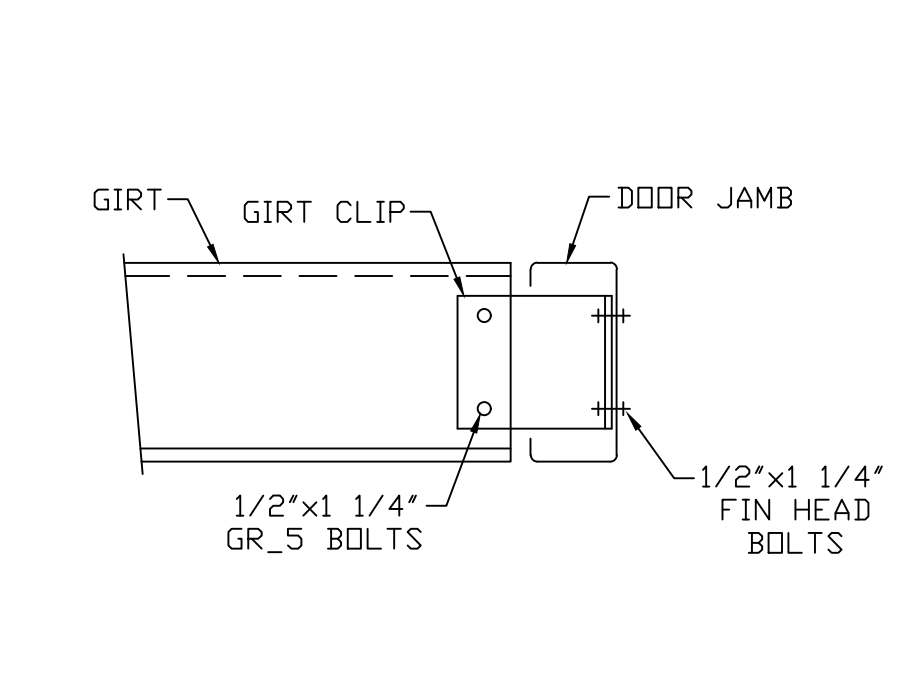
**B3** ENDWALL RAFTER TO COLUMN

\* SEE BOLT TABLE ON ENDWALL ERECTION DRAWING FOR BOLT DIAMETER AND LENGTH.



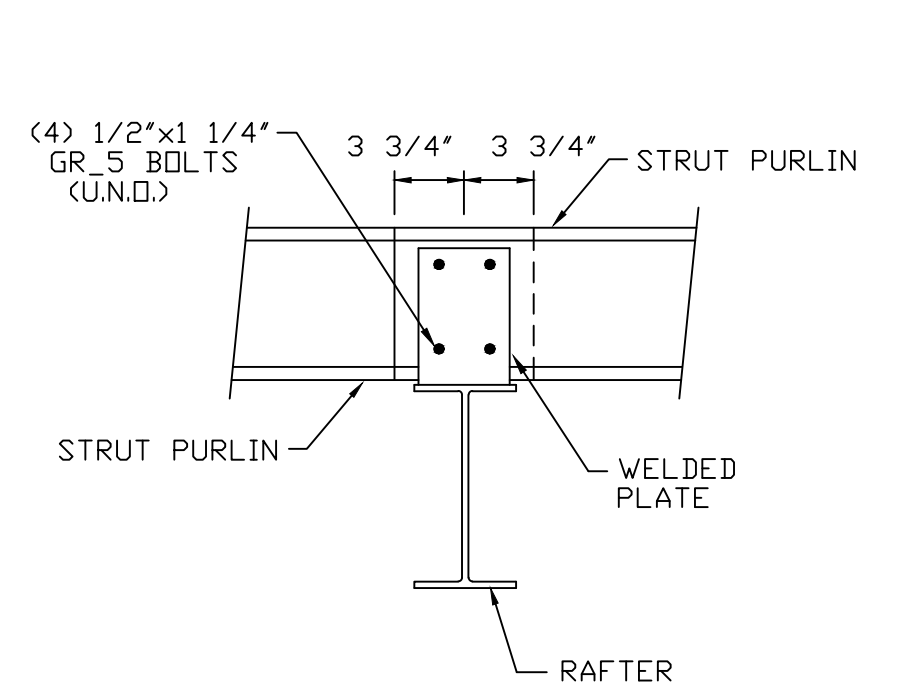
**G2** ROOF PURLIN TO INTERIOR FRAME RAFTER

\* SEE BOLT TABLE ON ENDWALL ERECTION DRAWING FOR BOLT DIAMETER AND LENGTH.



**K2** WALL GIRTS TO DOOR JAMB

\* SEE BOLT TABLE ON ENDWALL ERECTION DRAWING FOR BOLT DIAMETER AND LENGTH.



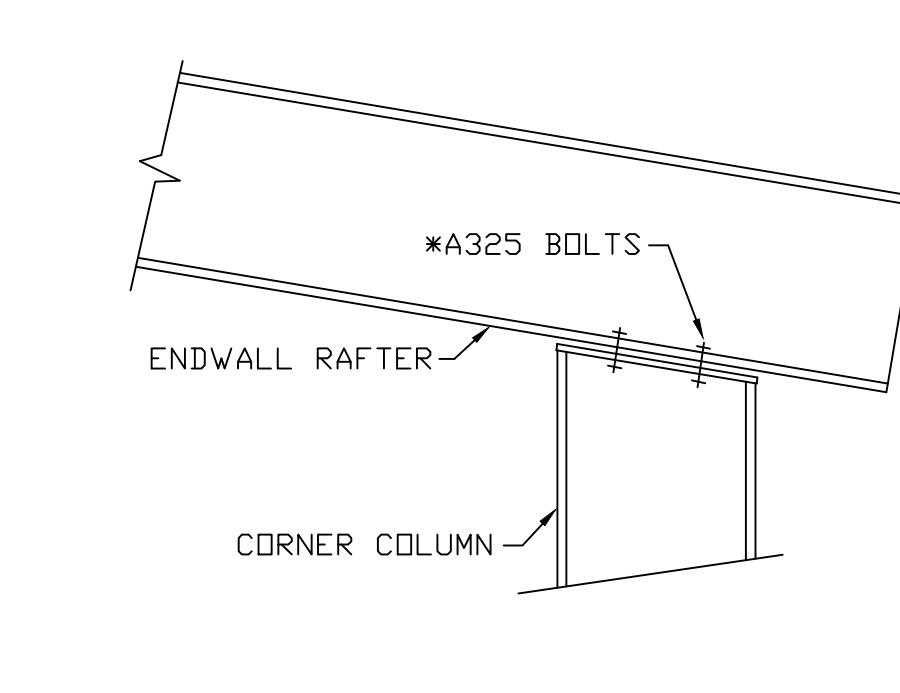
**S4X** STRUT PURLIN CONNECTION (ADJACENT BAYS)

\* SEE BOLT TABLE ON ENDWALL ERECTION DRAWING FOR BOLT DIAMETER AND LENGTH.



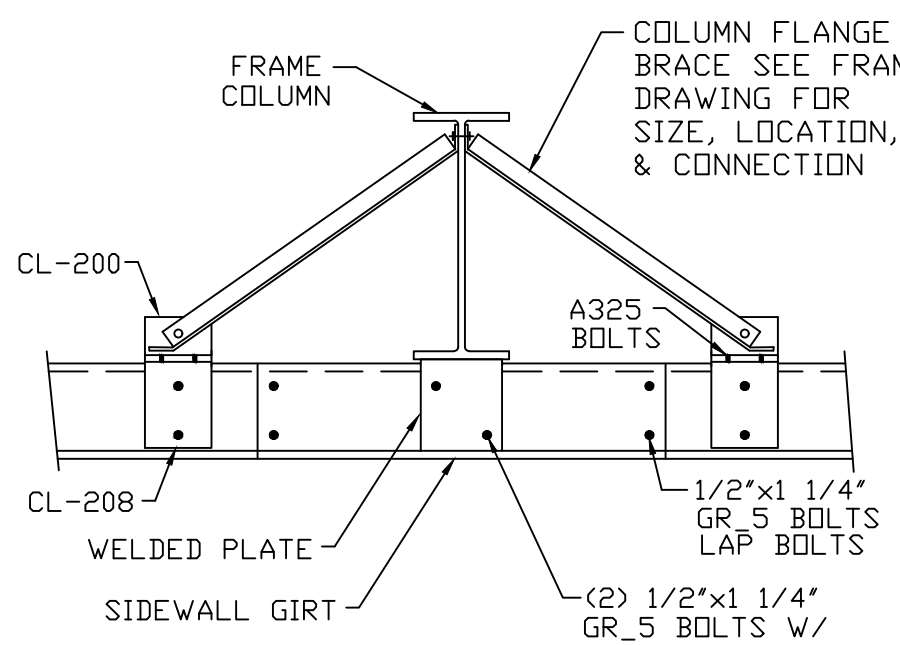
**T2** SECTION THRU WALL PANEL AND CONCRETE FOUNDATION

\* SEE BOLT TABLE ON ENDWALL ERECTION DRAWING FOR BOLT DIAMETER AND LENGTH.



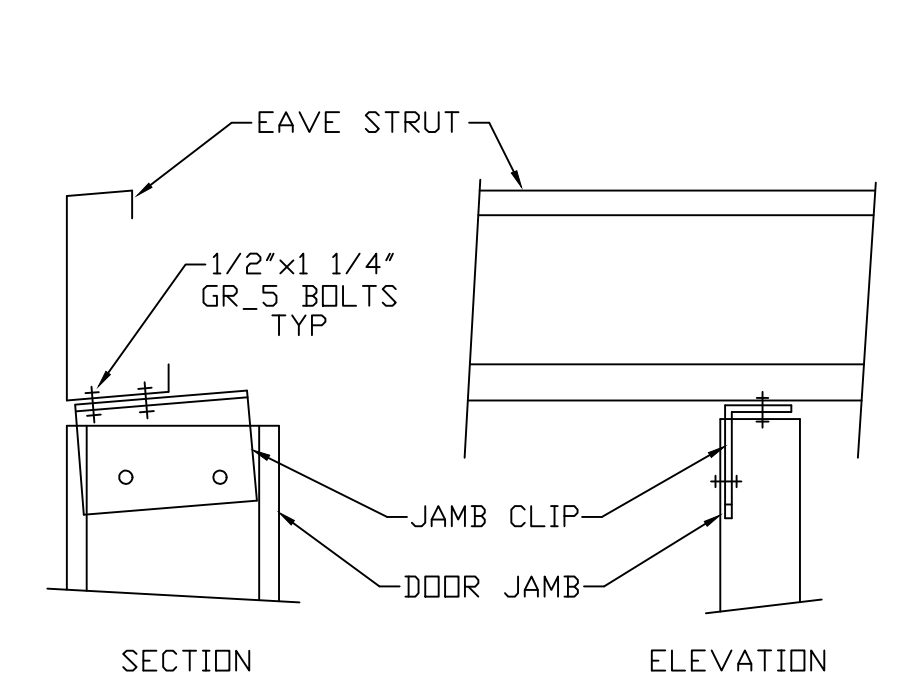
**B16** CORNER COLUMN TO ENDWALL RAFTER

\* SEE BOLT TABLE ON ENDWALL ERECTION DRAWING FOR BOLT DIAMETER AND LENGTH.



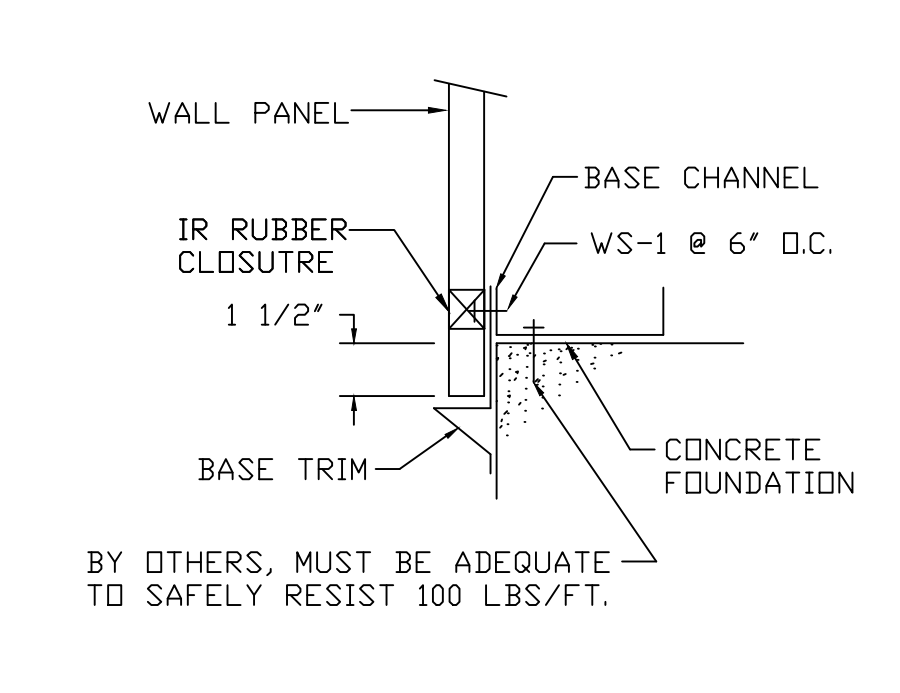
**H2** BYPASS GIRTS TO COLUMN CONNECTION (LAP CONDITION)

\* SEE BOLT TABLE ON ENDWALL ERECTION DRAWING FOR BOLT DIAMETER AND LENGTH.



**L1** DOOR JAMB TO EAVE STRUT (LOW SIDE)

\* SEE BOLT TABLE ON ENDWALL ERECTION DRAWING FOR BOLT DIAMETER AND LENGTH.

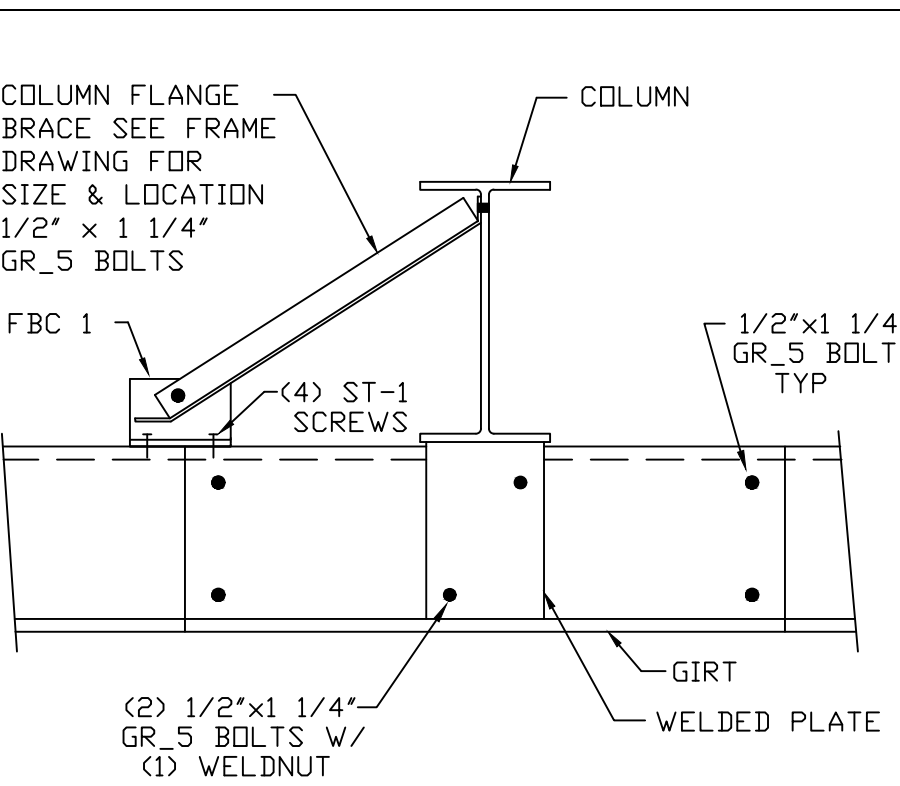


**T2** SECTION THRU WALL PANEL AND CONCRETE FOUNDATION

\* SEE BOLT TABLE ON ENDWALL ERECTION DRAWING FOR BOLT DIAMETER AND LENGTH.

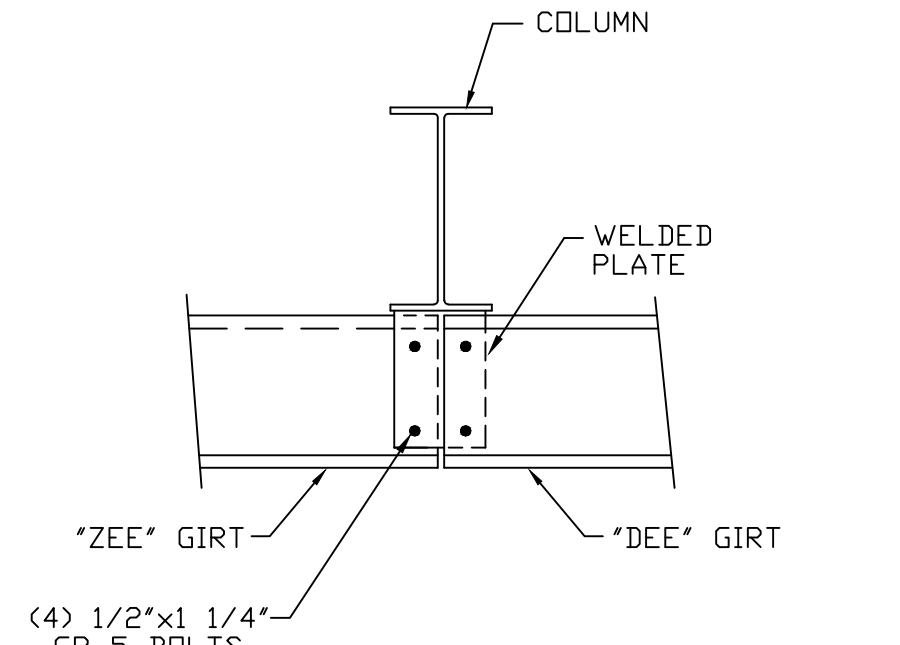


**Z5** WALL ENERGY SAVER SUPPORT ANGLE



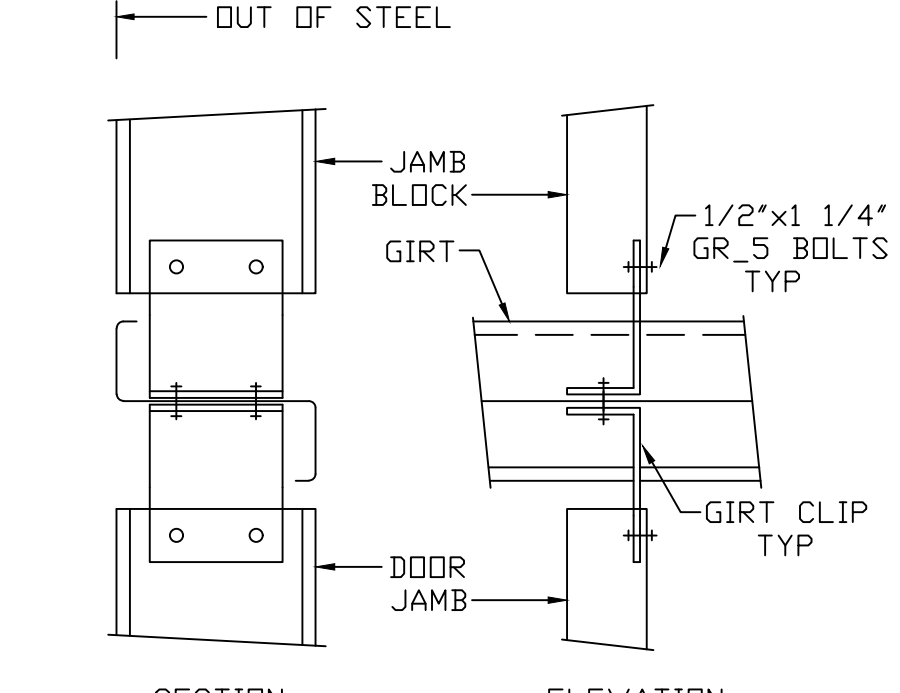
**C12** BYPASS GIRTS TO COLUMN CONNECTION (LAP CONDITION)

\* SEE BOLT TABLE ON ENDWALL ERECTION DRAWING FOR BOLT DIAMETER AND LENGTH.



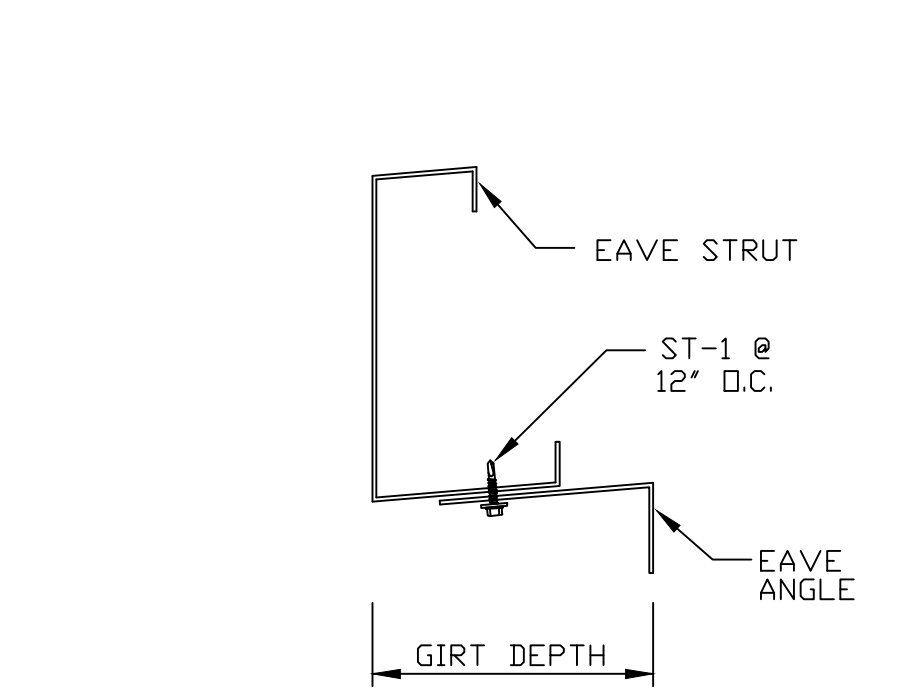
**H4** OUTSET GIRTS TO COLUMNS (NON-LAPPING CONDITION)

\* SEE BOLT TABLE ON ENDWALL ERECTION DRAWING FOR BOLT DIAMETER AND LENGTH.



**L5** DOOR JAMB TO WALL GIRTS WITH JAMB BLOCKING

\* SEE BOLT TABLE ON ENDWALL ERECTION DRAWING FOR BOLT DIAMETER AND LENGTH.

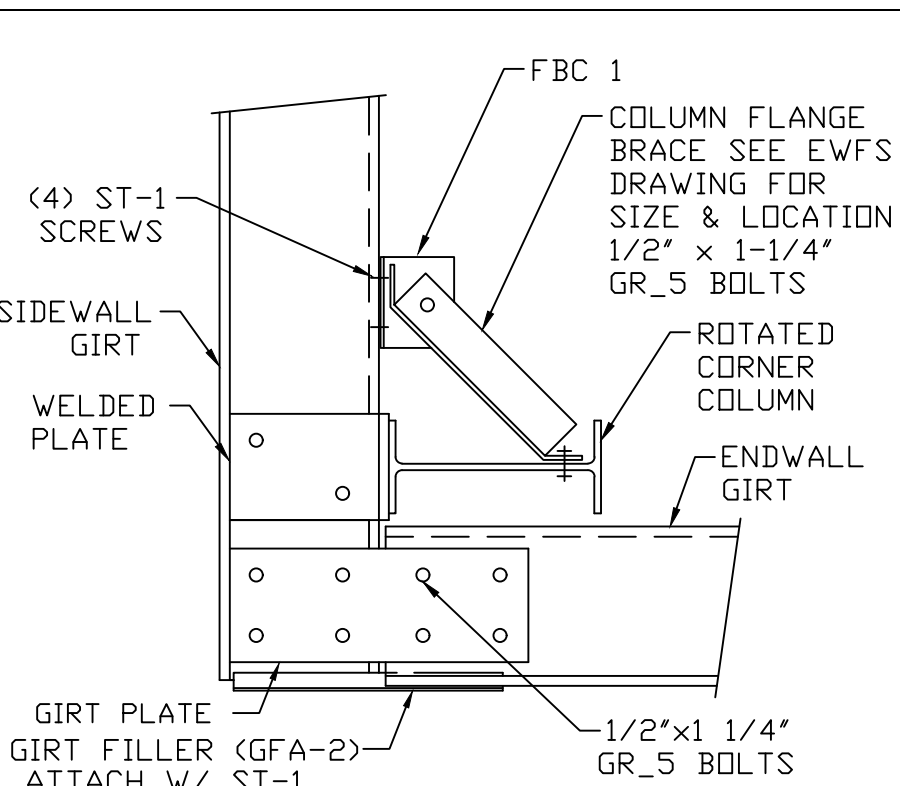


**Z5** WALL ENERGY SAVER SUPPORT ANGLE

\* SEE BOLT TABLE ON ENDWALL ERECTION DRAWING FOR BOLT DIAMETER AND LENGTH.

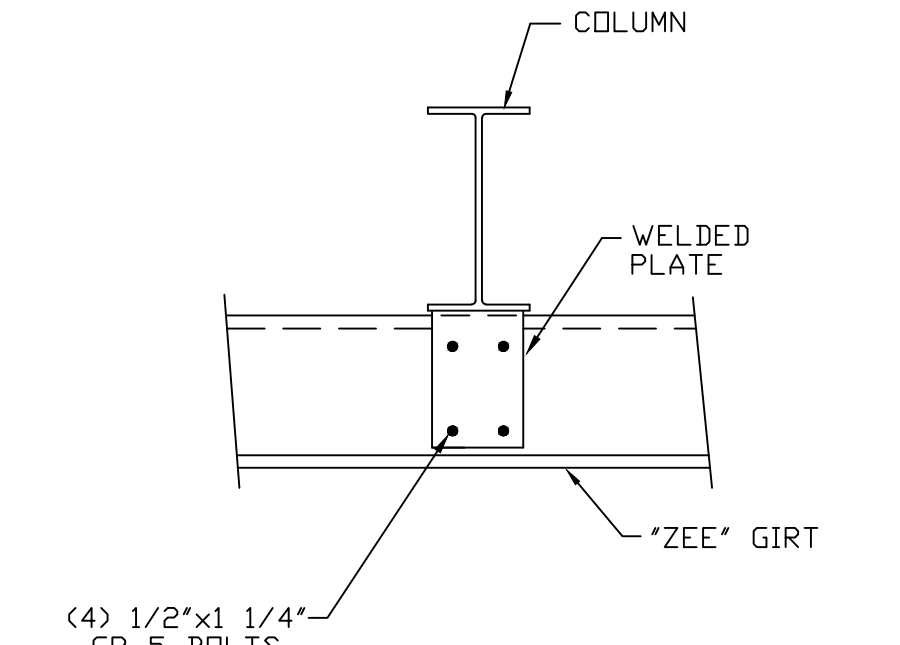


**Z9** \"DEE\" GIRTS CONNECTION DETAIL



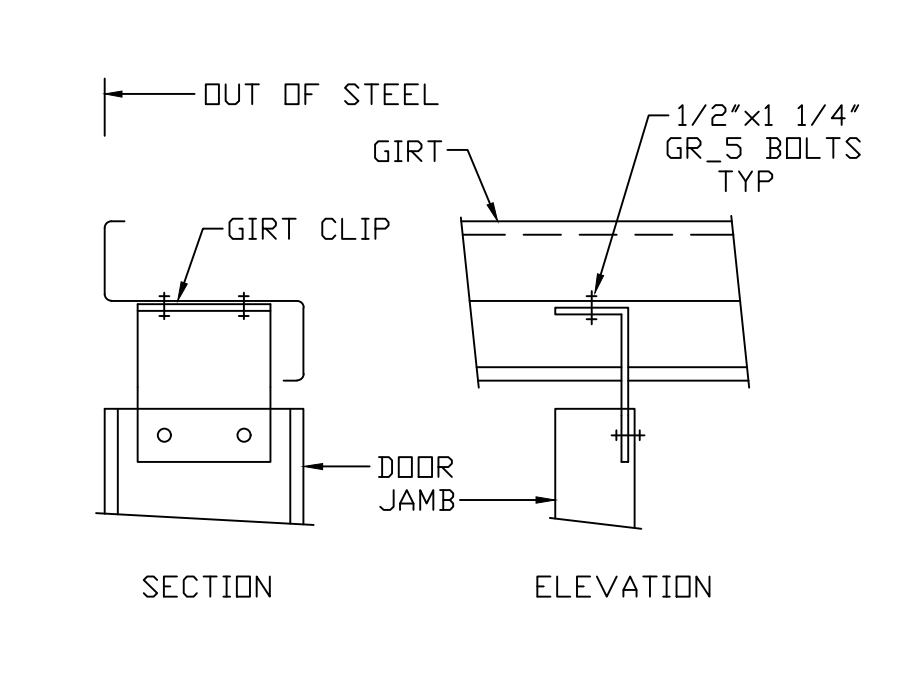
**D18** CORNER COLUMN TO WALL GIRTS

\* SEE BOLT TABLE ON ENDWALL ERECTION DRAWING FOR BOLT DIAMETER AND LENGTH.



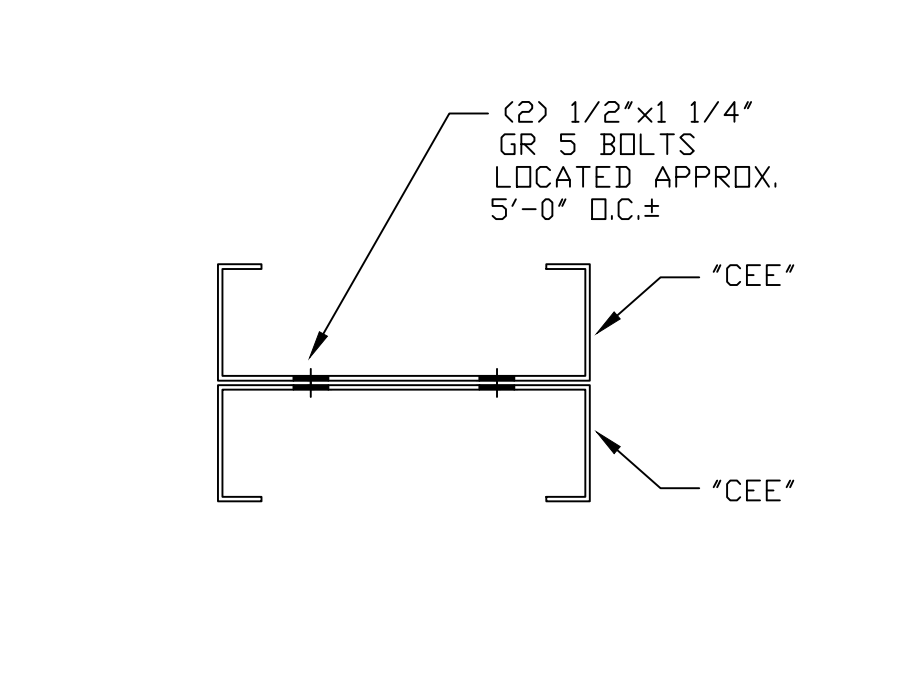
**H5** OUTSET GIRTS TO COLUMNS (NON-LAPPING CONDITION)

\* SEE BOLT TABLE ON ENDWALL ERECTION DRAWING FOR BOLT DIAMETER AND LENGTH.



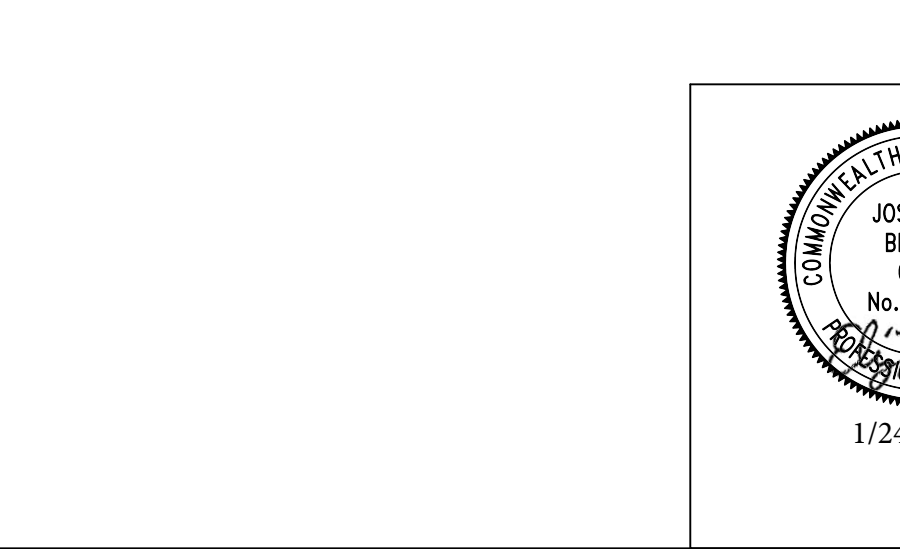
**L6** DOOR JAMB TO WALL GIRTS

\* SEE BOLT TABLE ON ENDWALL ERECTION DRAWING FOR BOLT DIAMETER AND LENGTH.

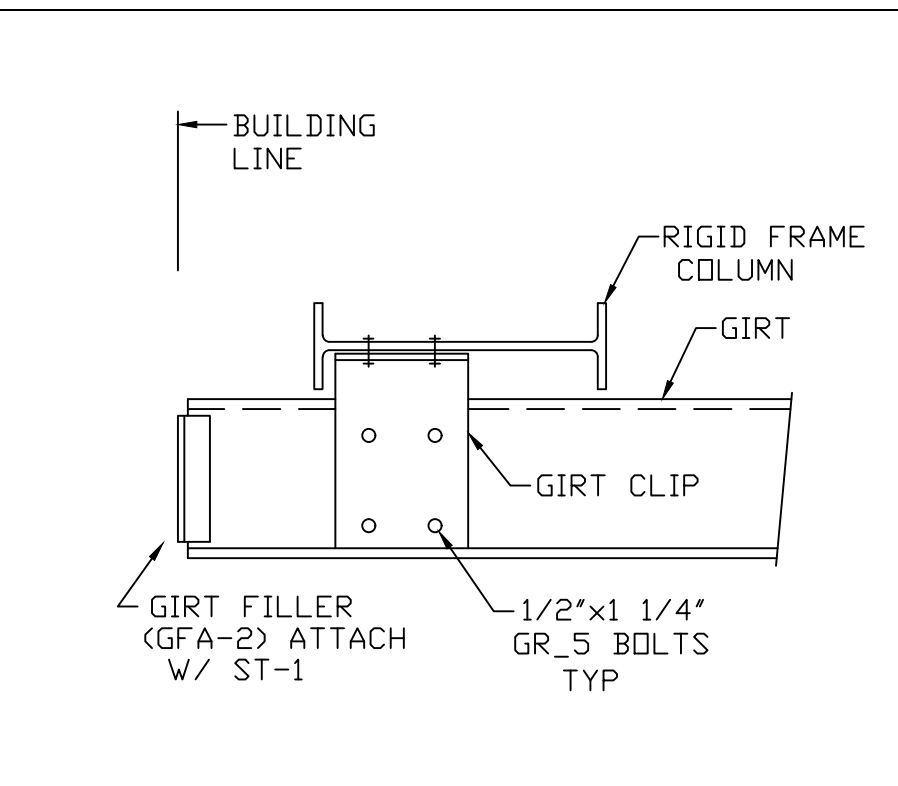


**M1** DOOR HEADER TO DOOR JAMB

\* SEE BOLT TABLE ON ENDWALL ERECTION DRAWING FOR BOLT DIAMETER AND LENGTH.

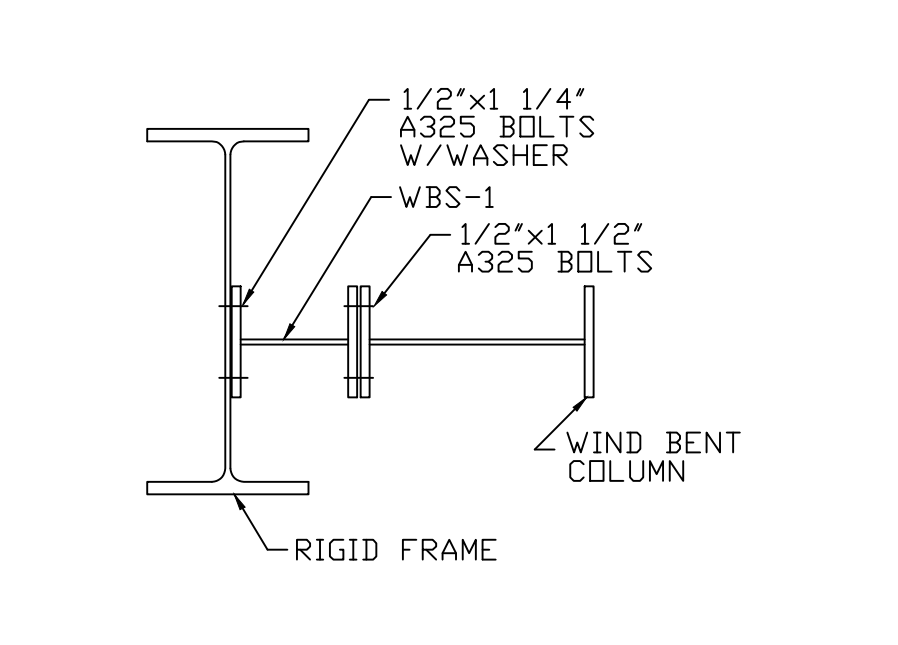


**Z9** \"DEE\" GIRTS CONNECTION DETAIL



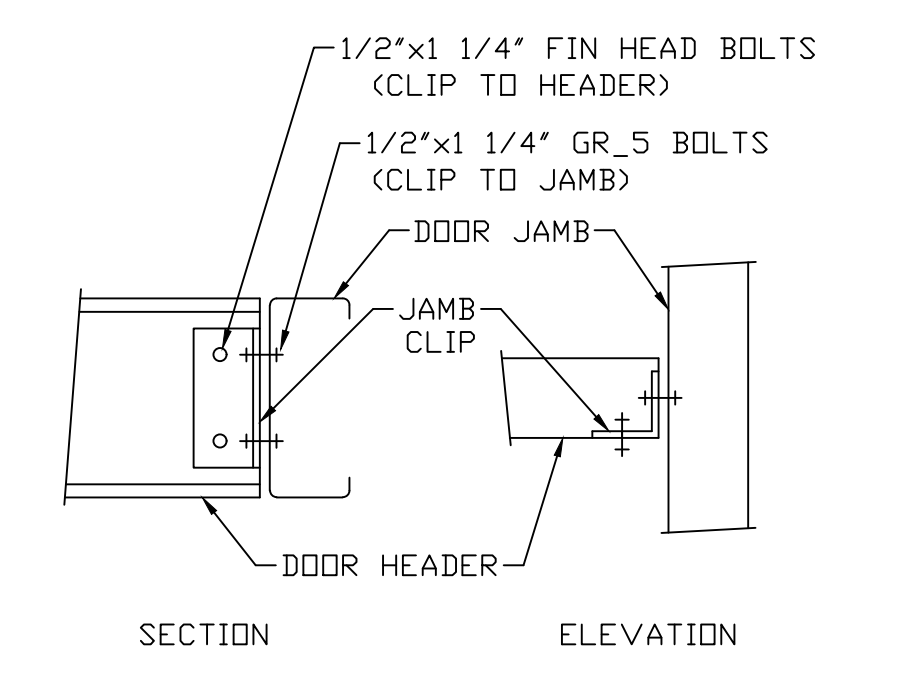
**D27** CORNER COLUMN TO WALL GIRTS

\* SEE BOLT TABLE ON ENDWALL ERECTION DRAWING FOR BOLT DIAMETER AND LENGTH.



**H10** WIND BENT OR WIND COLUMN TO BUILDING COLUMN

\* SEE BOLT TABLE ON ENDWALL ERECTION DRAWING FOR BOLT DIAMETER AND LENGTH.



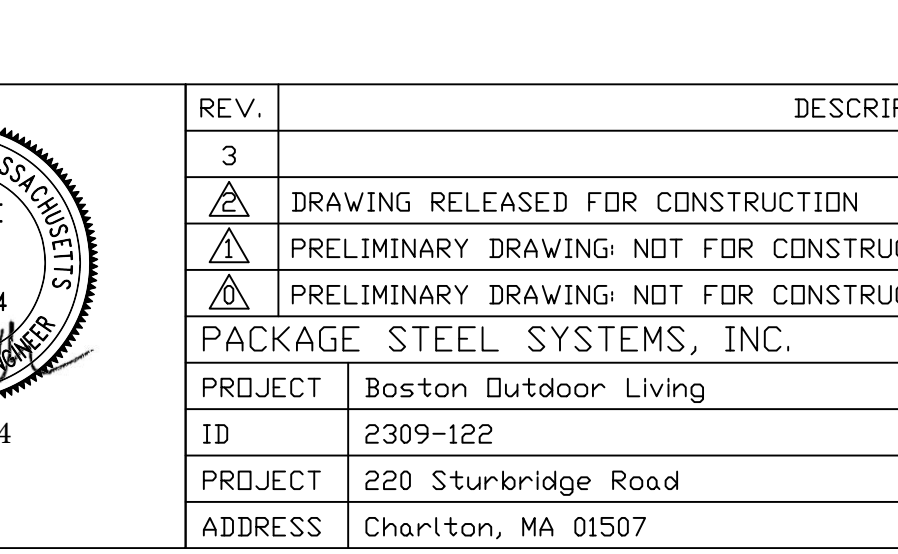
**M1** DOOR HEADER TO DOOR JAMB

\* SEE BOLT TABLE ON ENDWALL ERECTION DRAWING FOR BOLT DIAMETER AND LENGTH.

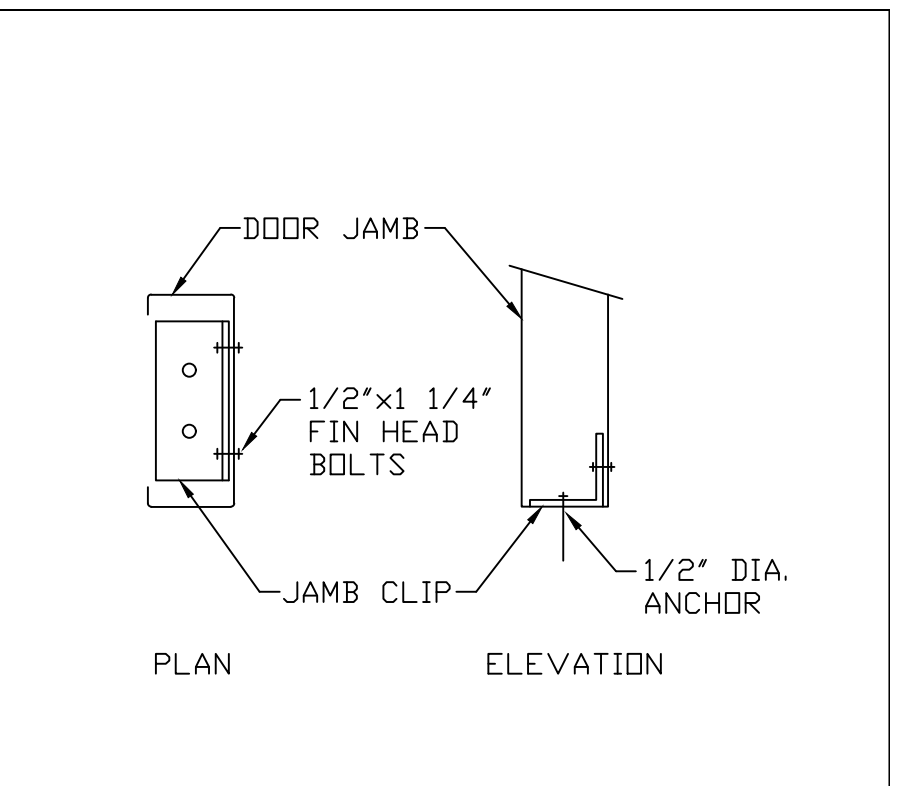


**Z9** \"DEE\" GIRTS CONNECTION DETAIL

\* SEE BOLT TABLE ON ENDWALL ERECTION DRAWING FOR BOLT DIAMETER AND LENGTH.

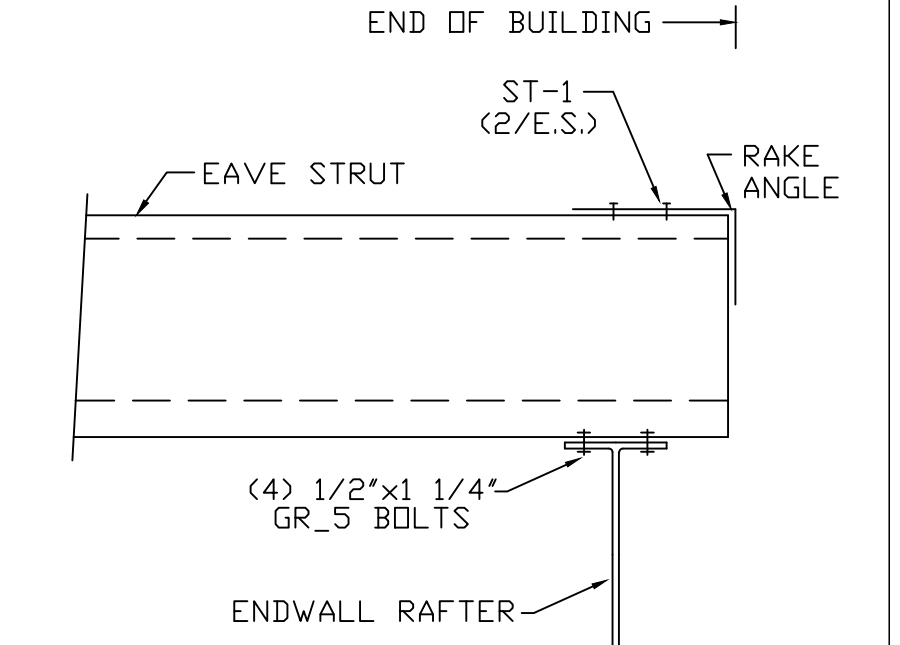


**E6** BASE PLATE FOR DOOR JAMB

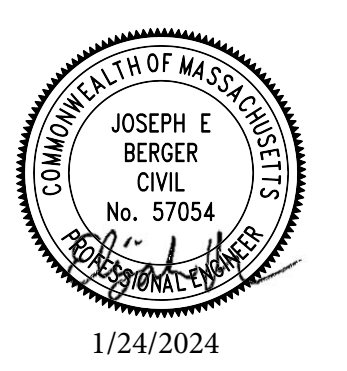


**I8** EAVE STRUT TO ENDWALL RAFTER

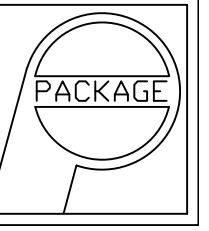
\* SEE ERECTION PLAN FOR SIZES, TYPES AND LOCATIONS FOR BRACING.

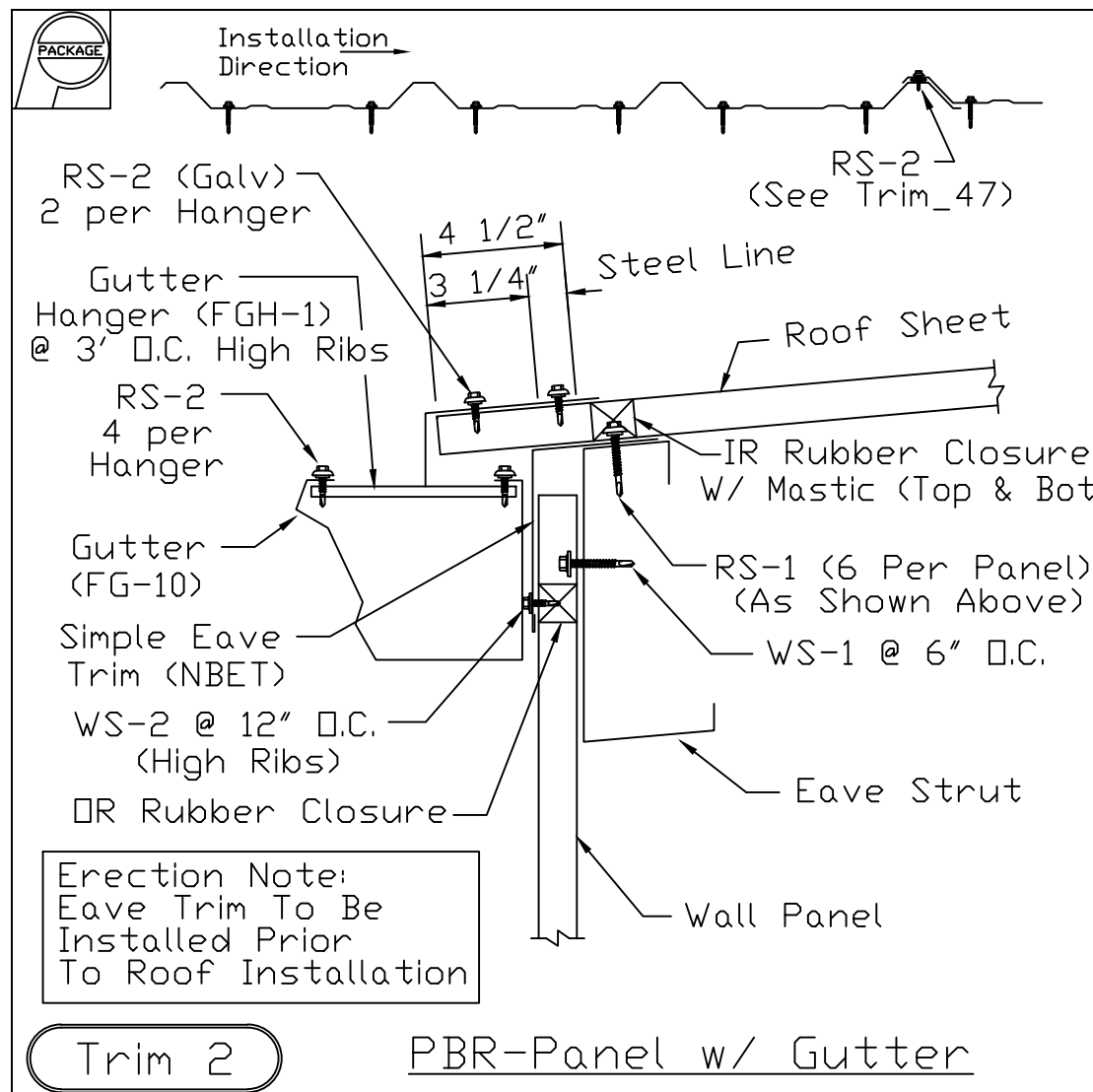


**Q2** DIAGONAL CABLE, EYEBOLT END

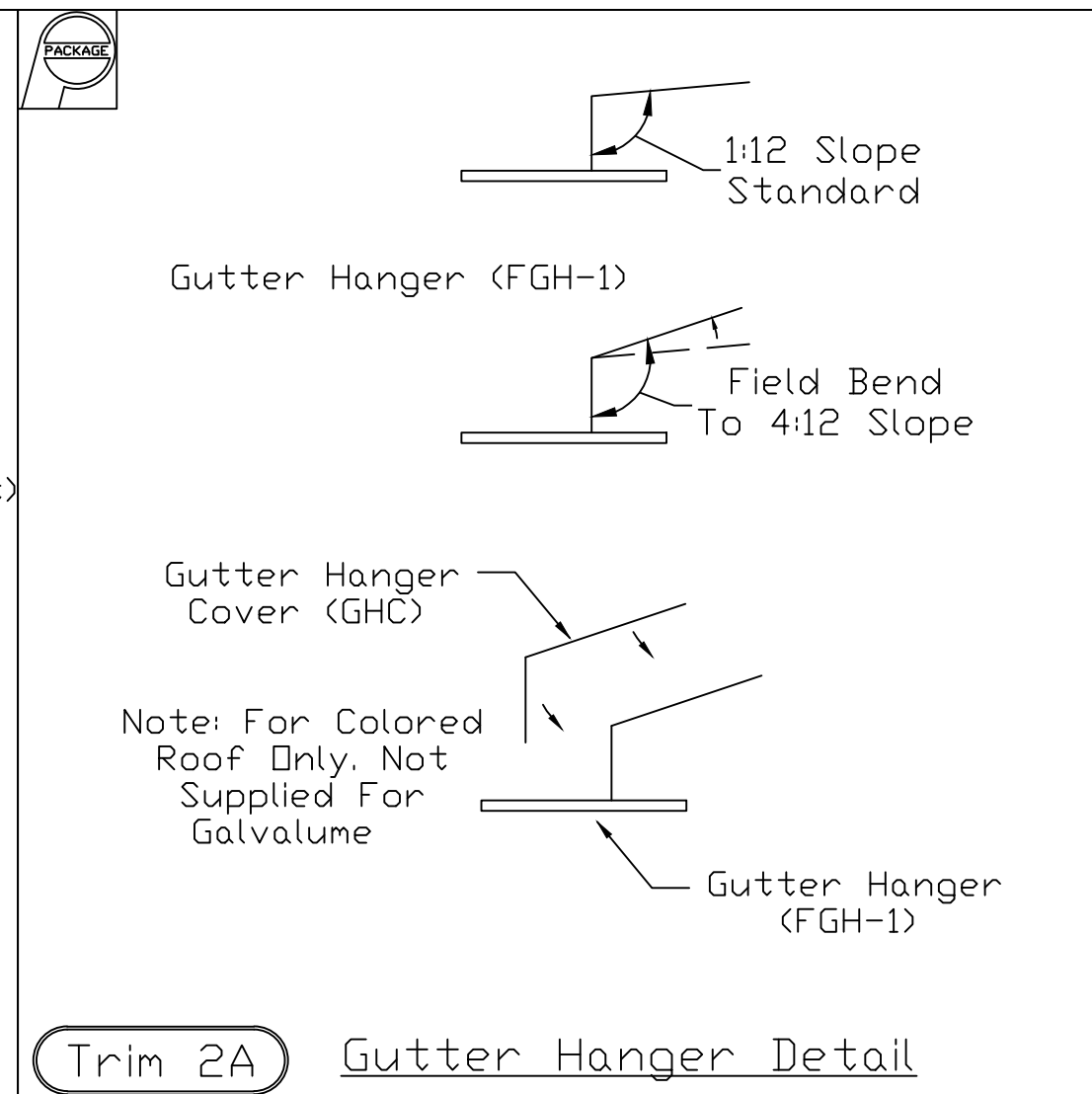


REV.	DESCRIPTION	DATE	DRAFT	ENG.
3				
2	DRAWING RELEASED FOR CONSTRUCTION	1/22/24	RPG	JEB
1	PRELIMINARY DRAWING: NOT FOR CONSTRUCTION / FOR PERMIT ONLY	1/08/24	MAD	JEB
	PRELIMINARY DRAWING: NOT FOR CONSTRUCTION / FOR PERMIT ONLY			
CURRENT REVISION: 2				
PACKAGE STEEL SYSTEMS, INC.		Boston Outdoor Living		
PROJECT	Boston Outdoor Living	FRAMING DETAILS		
ID	2309-122	DESIGN:LPB	DESIGN CHECK:JEB	
PROJECT	220 Sturbridge Road	DRAFT:MAD	DRAFT CHECK:MAD	
ADDRESS	Charlton, MA 01507	DATE: 10/26/23	DRAWING: DTLS-1	

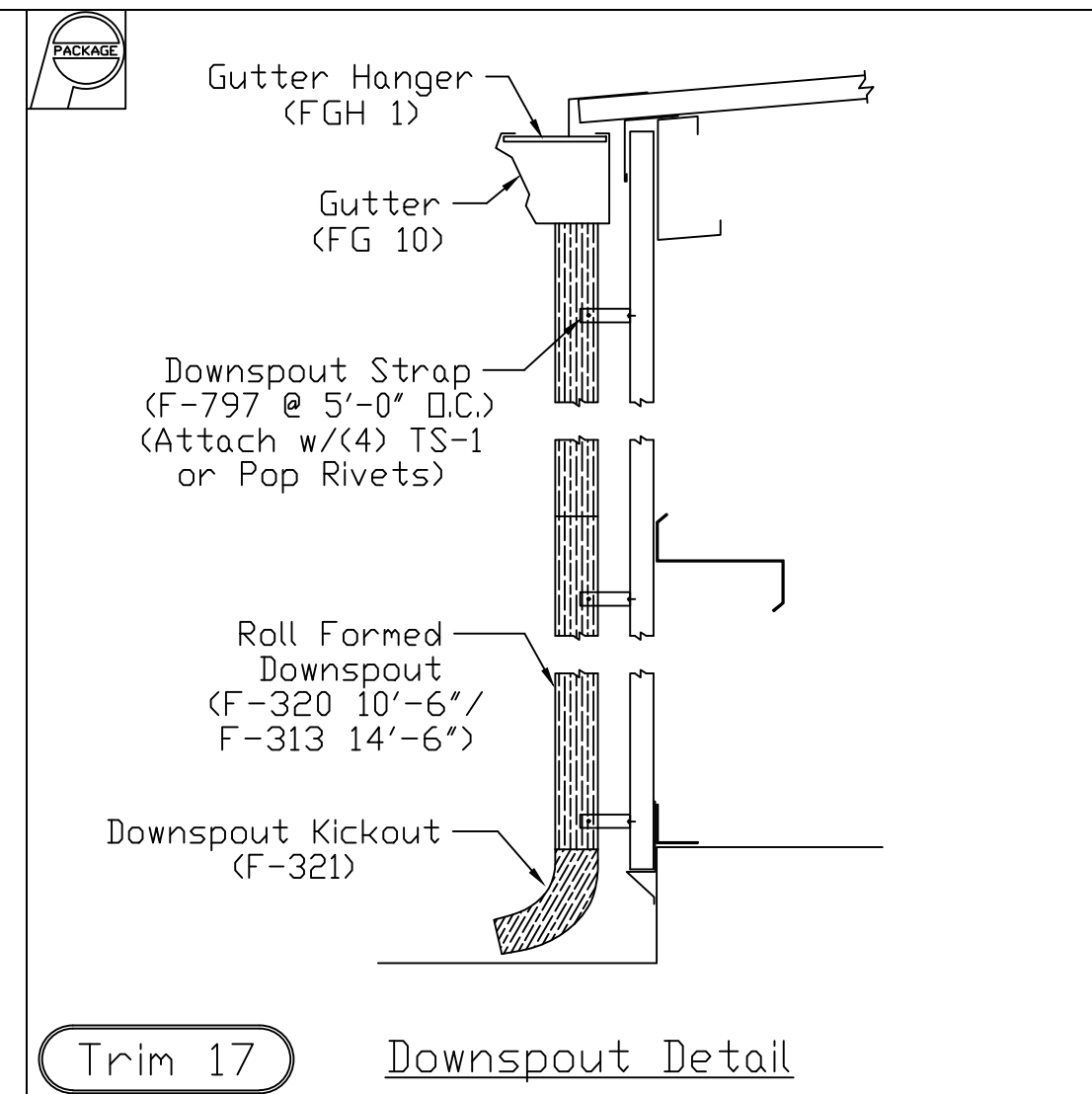




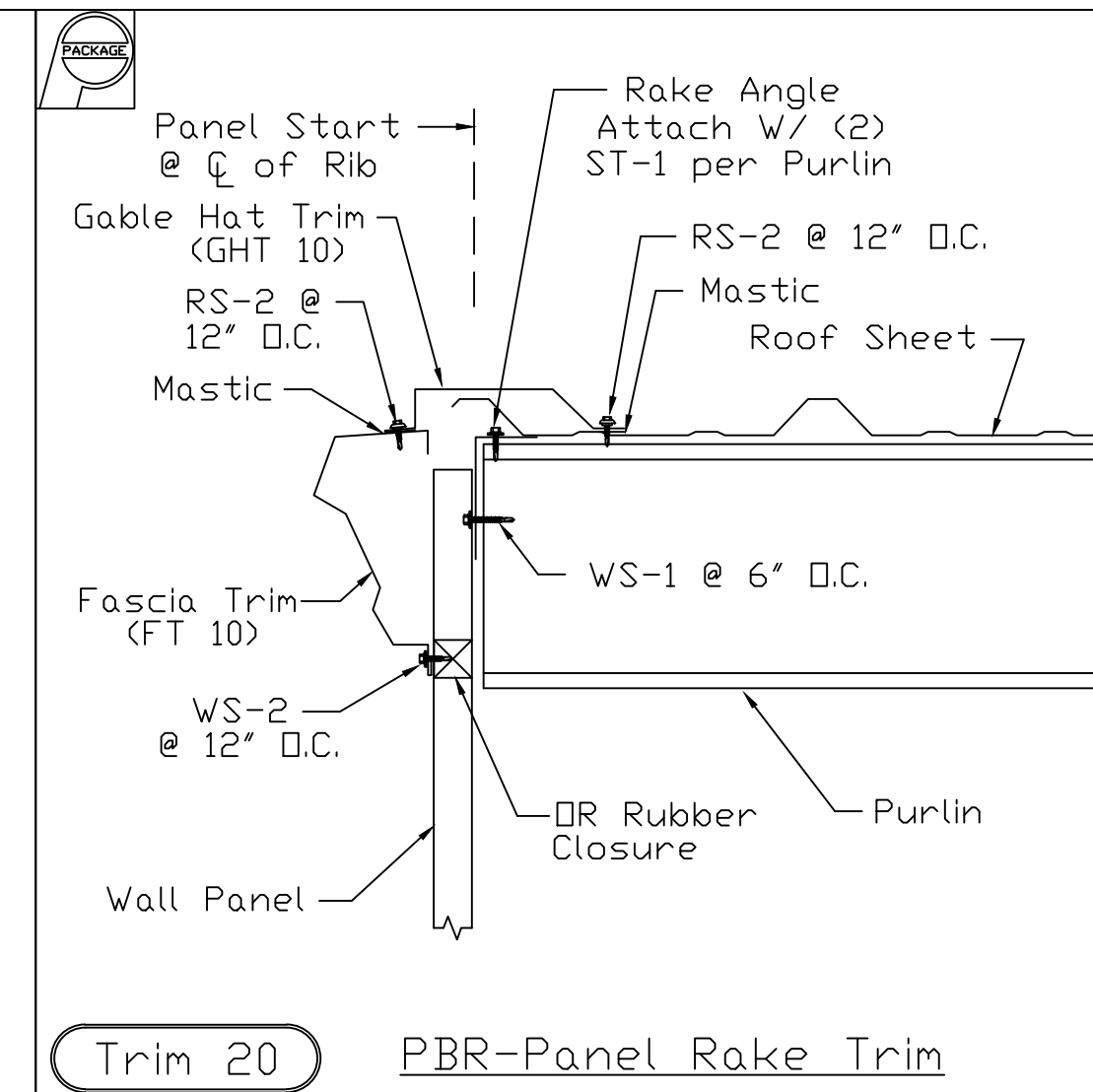
Trim 2 PBR-Panel w/ Gutter



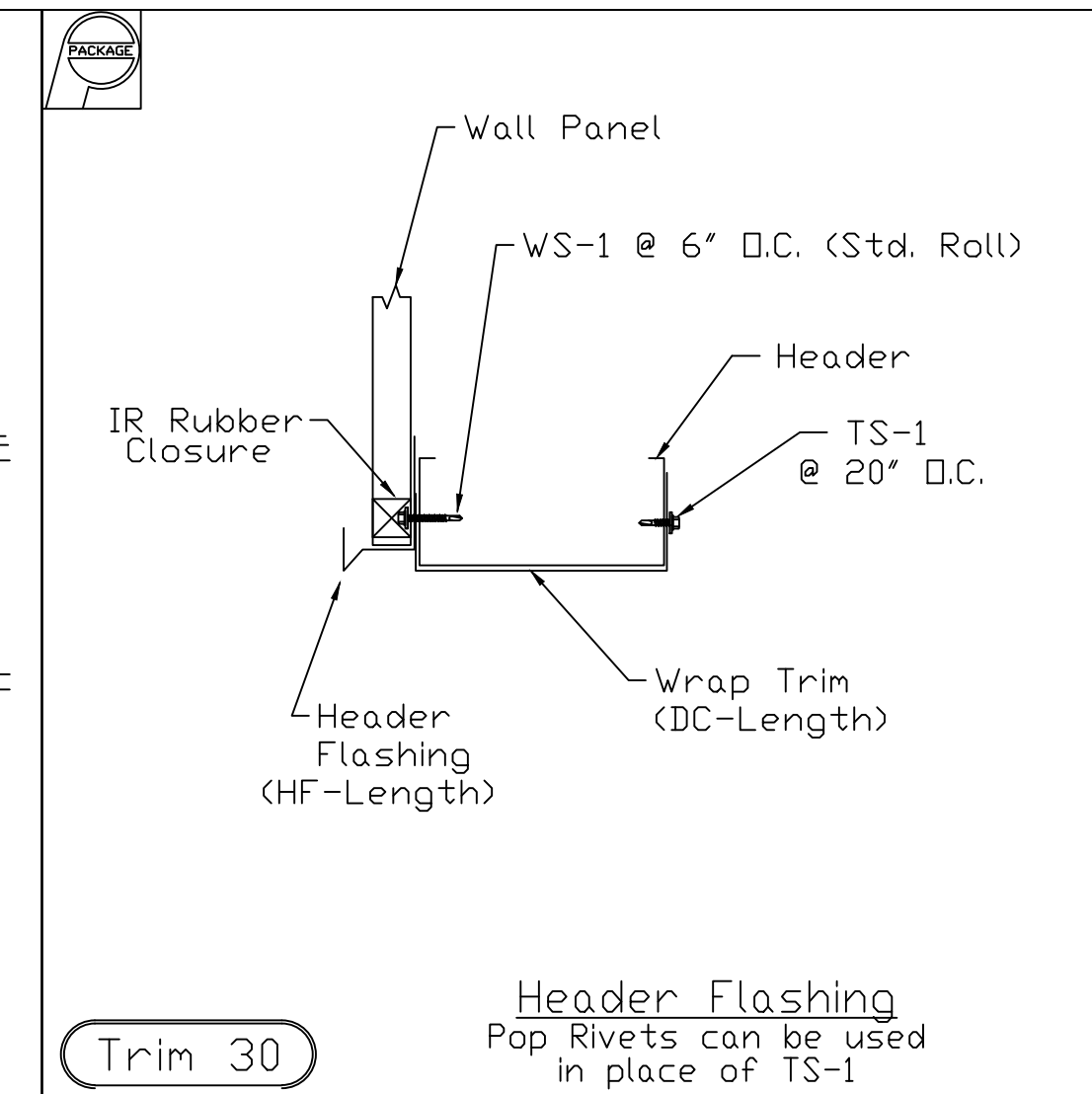
Trim 2A Gutter Hanger Detail



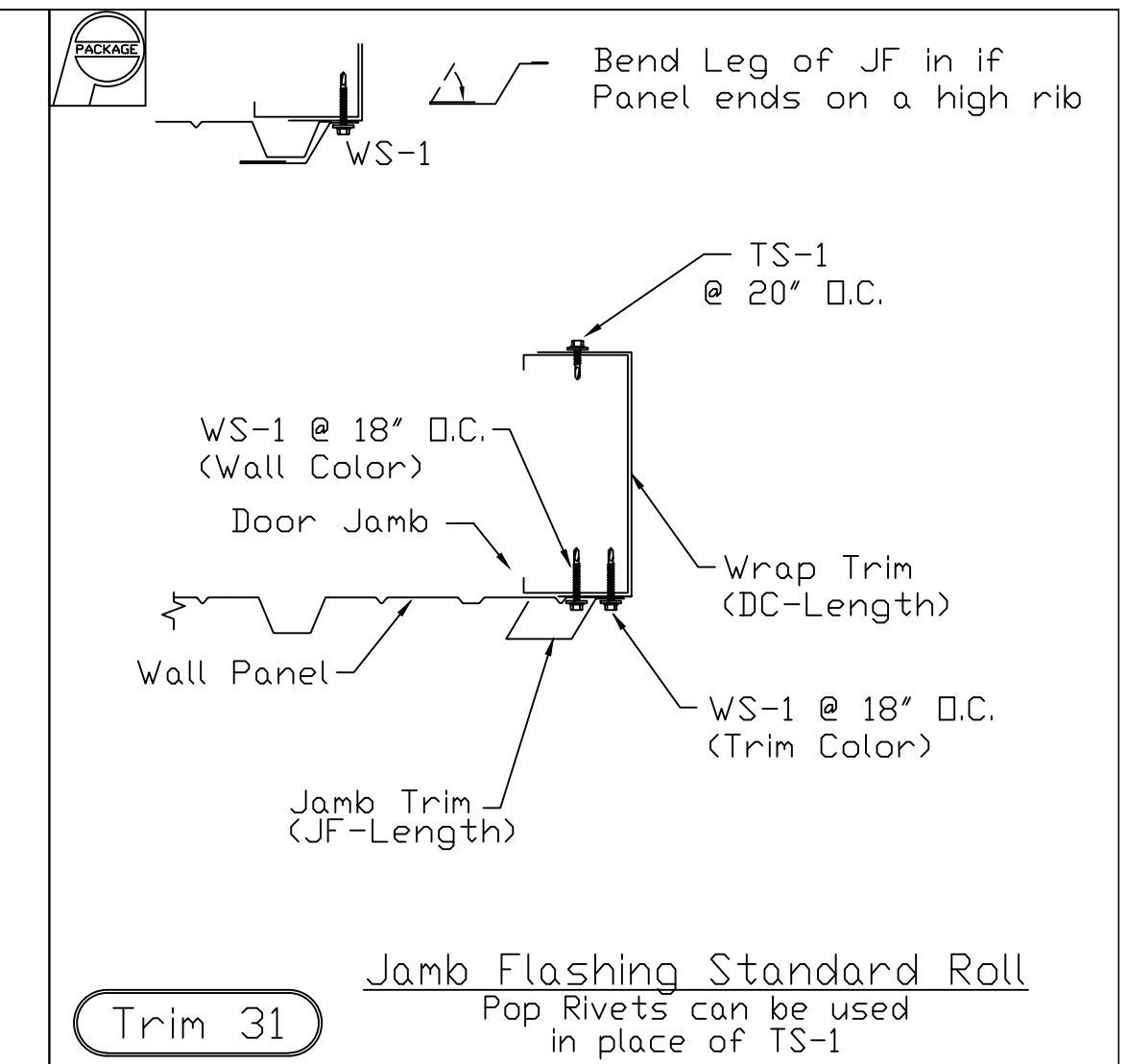
Trim 17 Downspout Detail



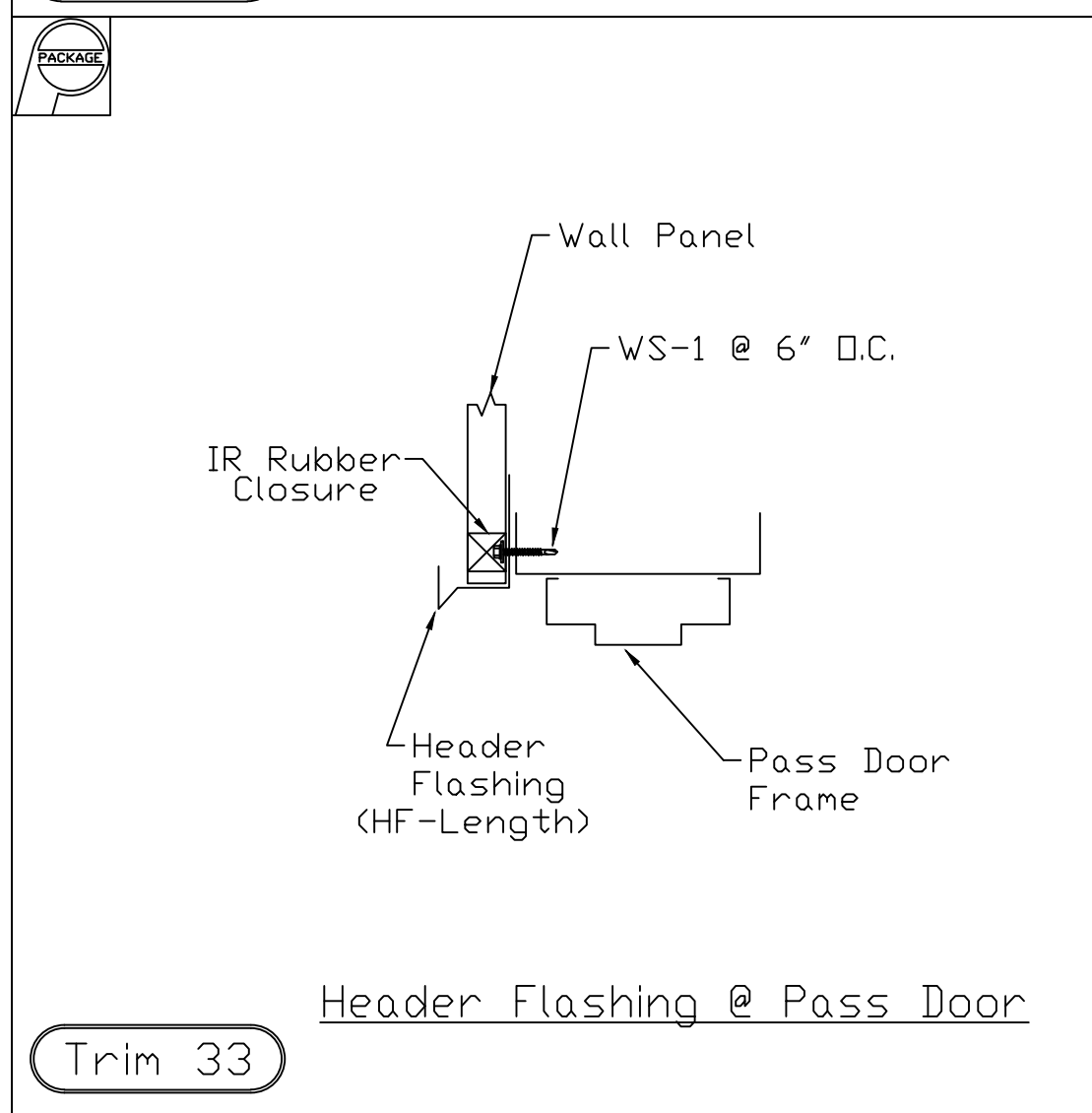
Trim 20 PBR-Panel Rake Trim



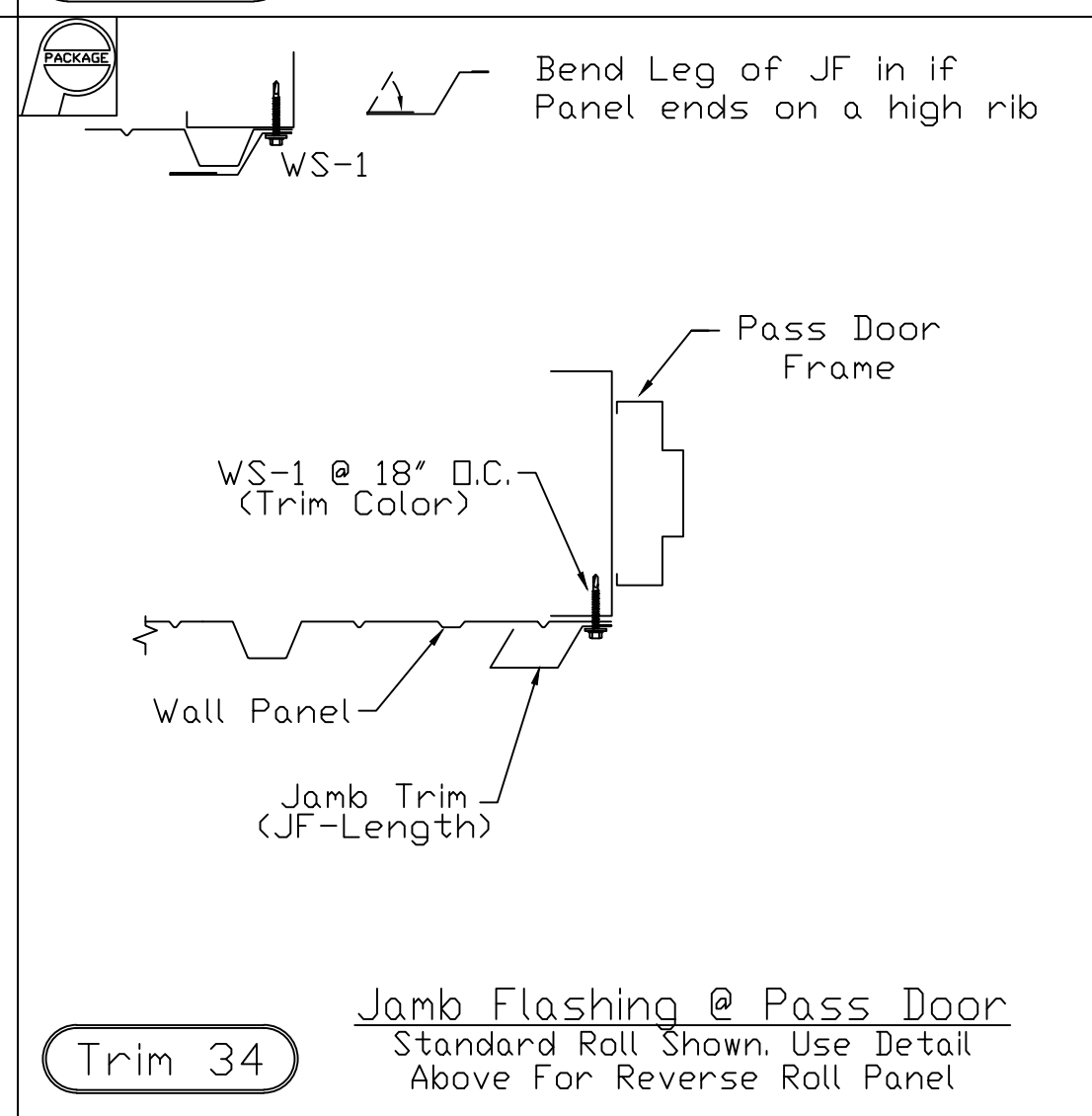
Trim 30 Header Flashing  
Pop Rivets can be used in place of TS-1



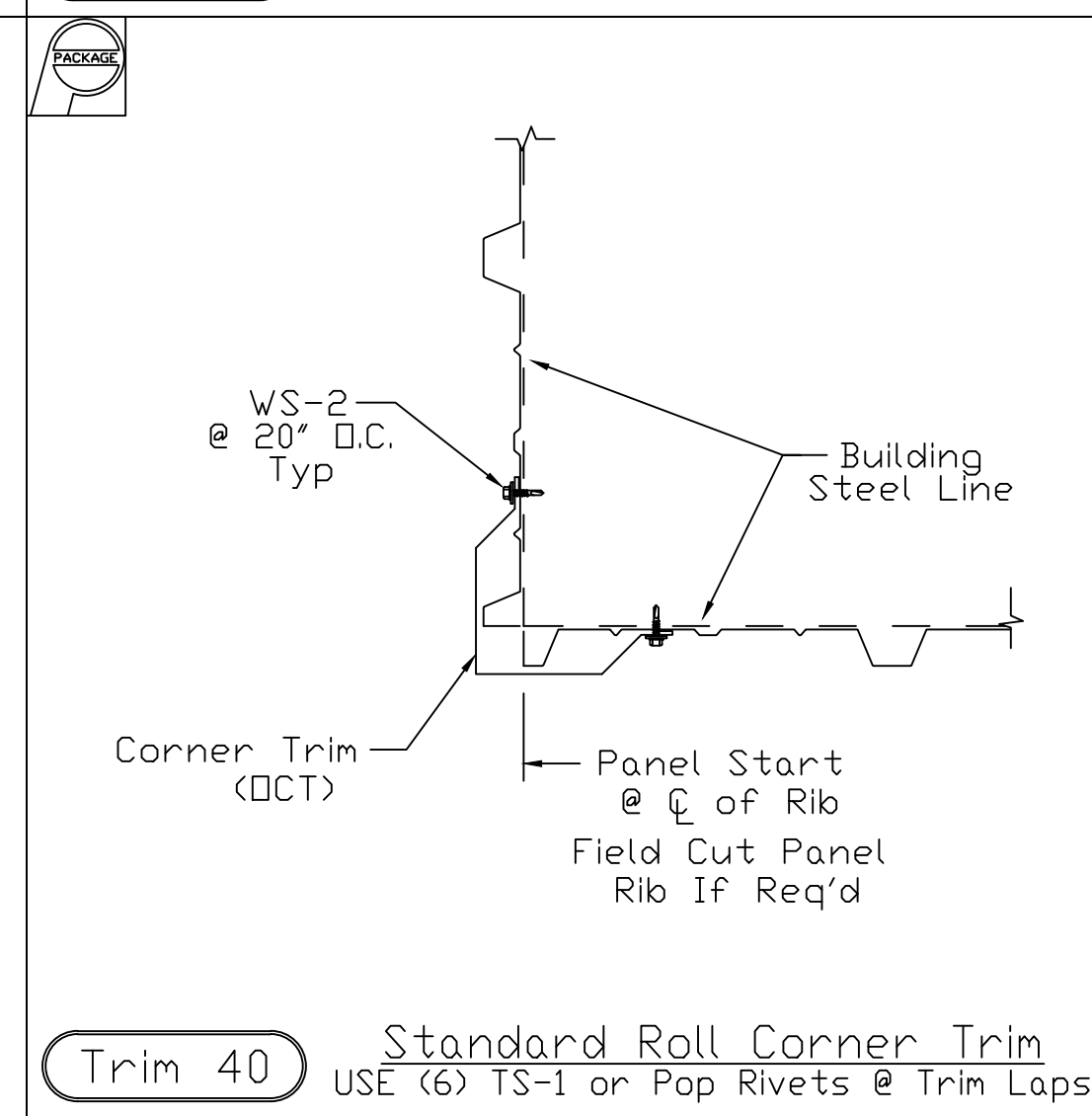
Trim 31 Jamb Flashing Standard Roll  
Pop Rivets can be used in place of TS-1



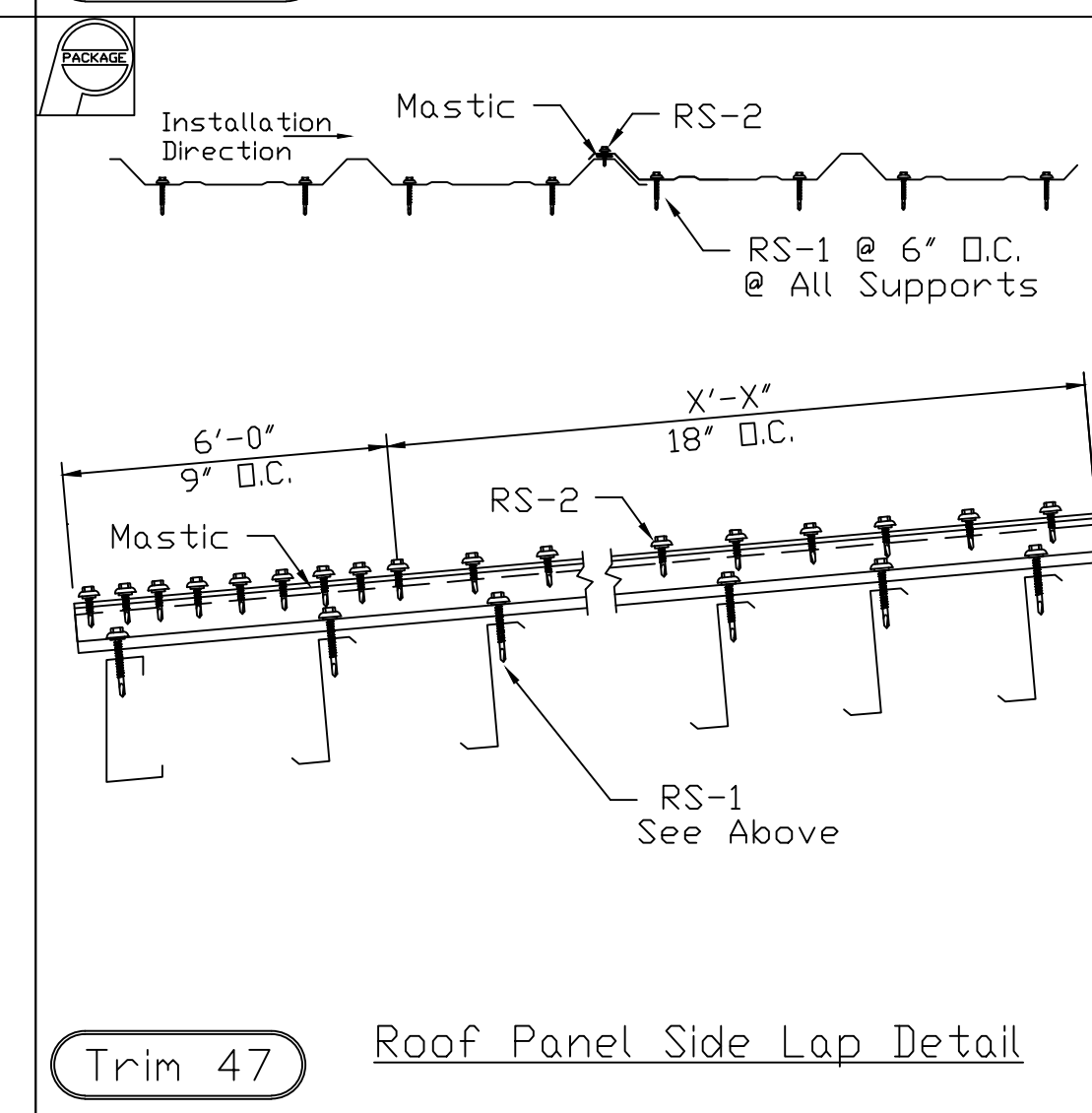
Trim 33 Header Flashing @ Pass Door



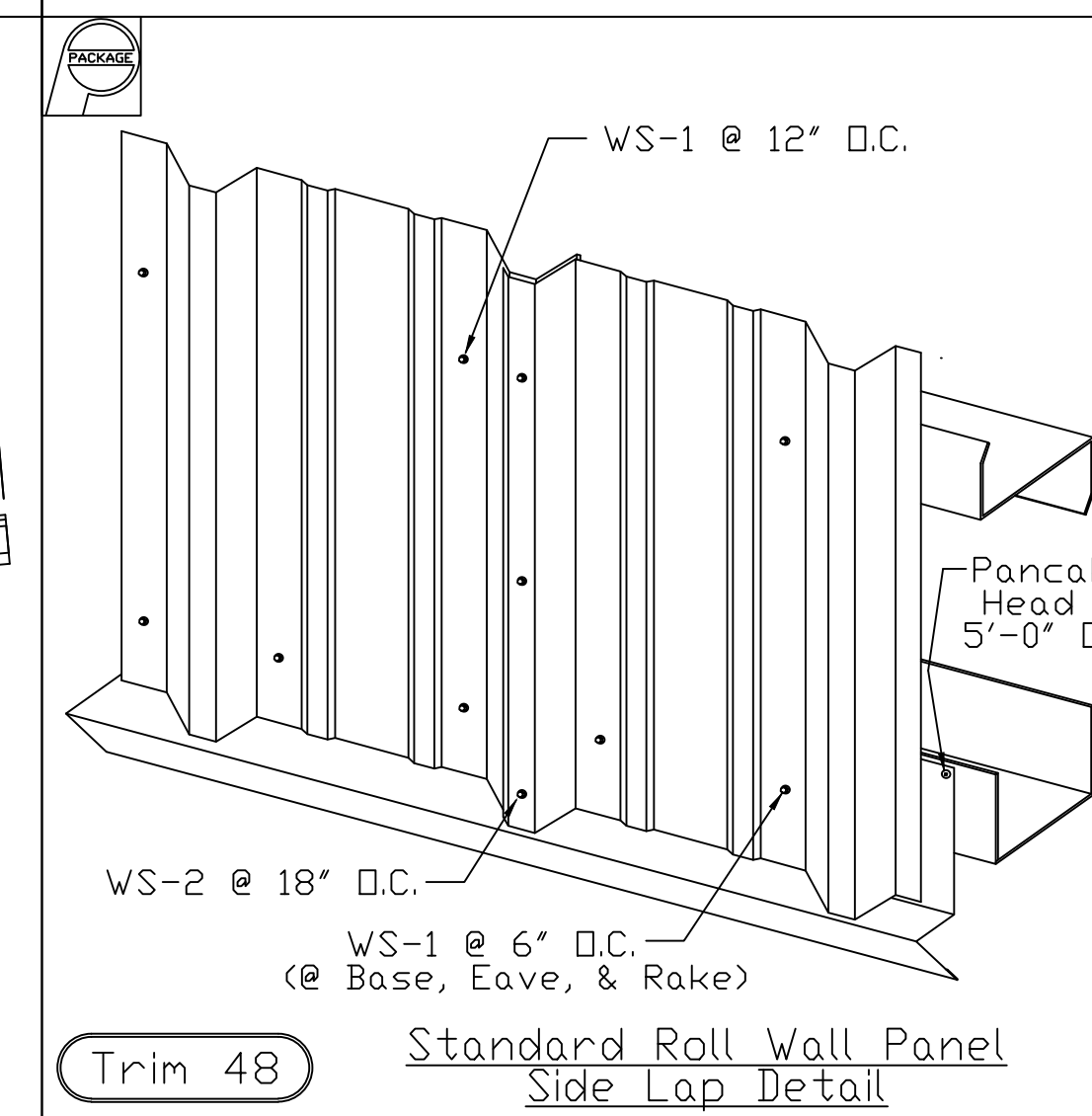
Trim 34 Jamb Flashing @ Pass Door  
Standard Roll Shown. Use Detail Above For Reverse Roll Panel



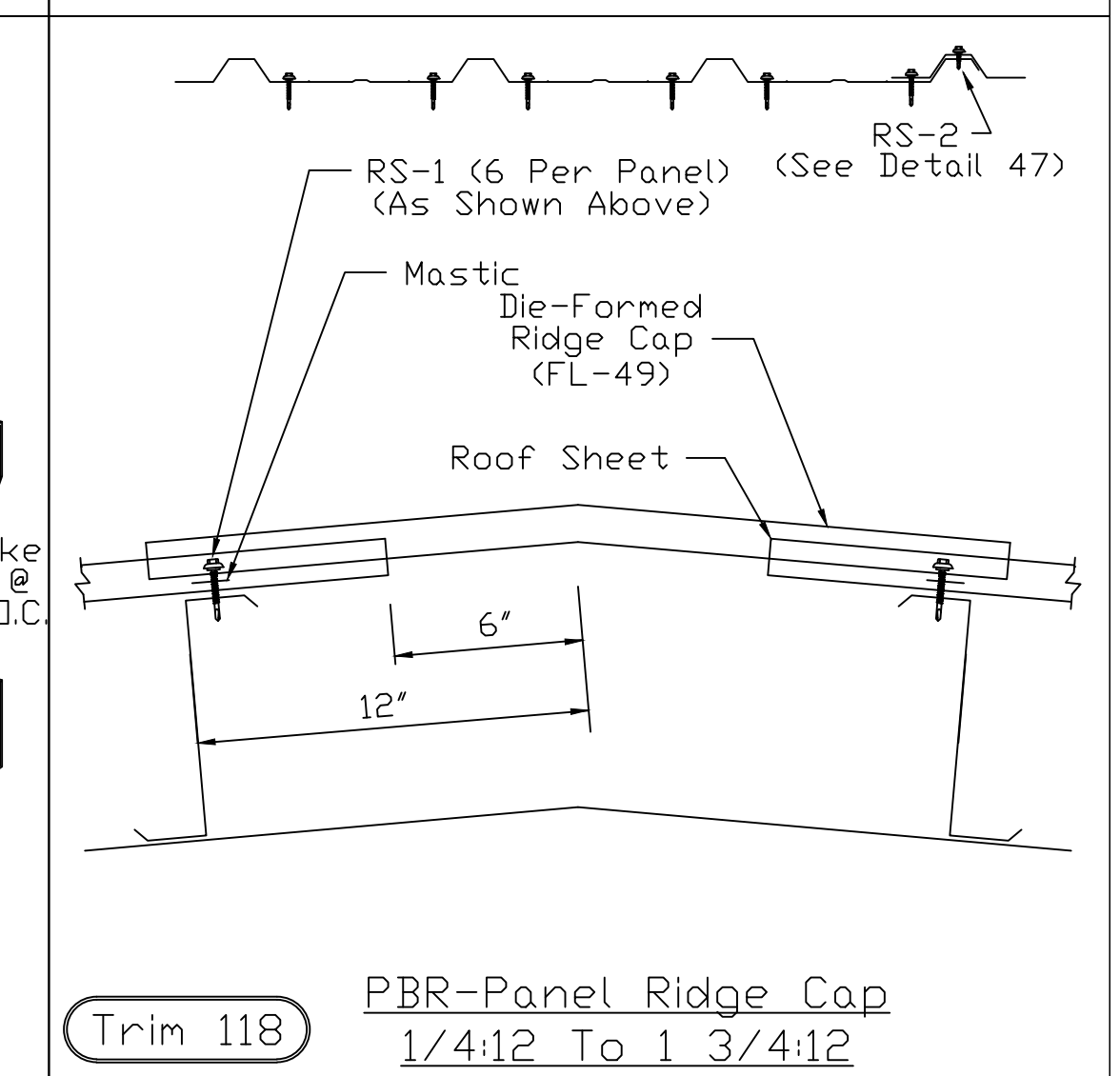
Trim 40 Standard Roll Corner Trim  
USE (6) TS-1 or Pop Rivets @ Trim Laps



Trim 47 Roof Panel Side Lap Detail

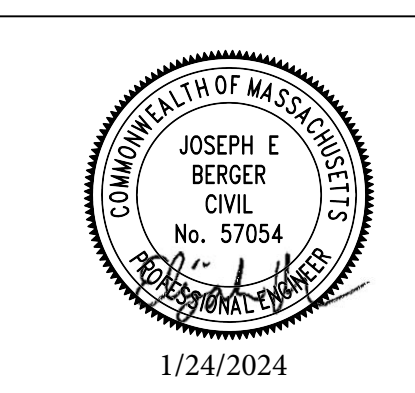


Trim 48 Standard Roll Wall Panel Side Lap Detail



Trim 118 PBR-Panel Ridge Cap  
1/4:12 To 1 3/4:12

- Roof Screws
- ↑ RS-1 = S4676-FL = 12-14 x 1 1/2"
  - ↑ RS-2 = S5065-FM = 1/4"-14 x 7/8"
  - ↑ RS-3 = S4742-FL = 12-24 x 1 1/2" TEK 5
  - ↑ RS-4 = S5195-FM = 1/4"-14 x 1 1/4"
- Wall Screws
- ↑ WS-1 = S4721-FG = 12-14 x 1 1/2"
  - ↑ WS-2 = S5076-FF = 1/4"-14 x 7/8"
  - ↑ WS-3 = S4577-ED = 12-14 x 1"
- Trim Screws
- ↑ TS-1 = S2701 = 10-16 x 3/4" SD
  - ↑ TS-2 = S5076-FF = 1/4"-14 x 7/8"
  - ↑ TS-3 = 12 x 1" TR
  - ↑ TS-4 = POP RIVET
- Structural Screws
- ↑ ST-1 = S4577 = 12-14 x 1"
  - ↑ ST-2 = S5251 = 1/4"-14 x 1 1/2" ST
  - ↑ ST-3 = S5221 = 1/4"-14 x 1 1/4" SH
  - ↑ ST-4 = S4668 = 12-24 x 1 1/4" BJ
  - ↑ ST-5 = S4741 = 12-24 x 1 1/2" TEK 5
  - ↑ ST-6 = S5155 = 1/4"-14 x 1"



REV.	DESCRIPTION	DATE	DRAFT	ENG.
3				
Δ	DRAWING RELEASED FOR CONSTRUCTION	1/22/24	RPG	JEB
Δ	PRELIMINARY DRAWING: NOT FOR CONSTRUCTION / FOR PERMIT ONLY	1/08/24	MAD	JEB
Δ	PRELIMINARY DRAWING: NOT FOR CONSTRUCTION / FOR PERMIT ONLY			
CURRENT REVISION: 2				
PACKAGE STEEL SYSTEMS, INC.		Boston Outdoor Living		
PROJECT	Boston Outdoor Living	SHEETING DETAILS		
ID	2309-122	DESIGN: LPB	DESIGN CHECK: JEB	
PROJECT	220 Sturbridge Road	DRAFT: MAD	DRAFT CHECK: MAD	
ADDRESS	Charlton, MA 01507	DATE: 10/26/23	DRAWING: DTLS-2	