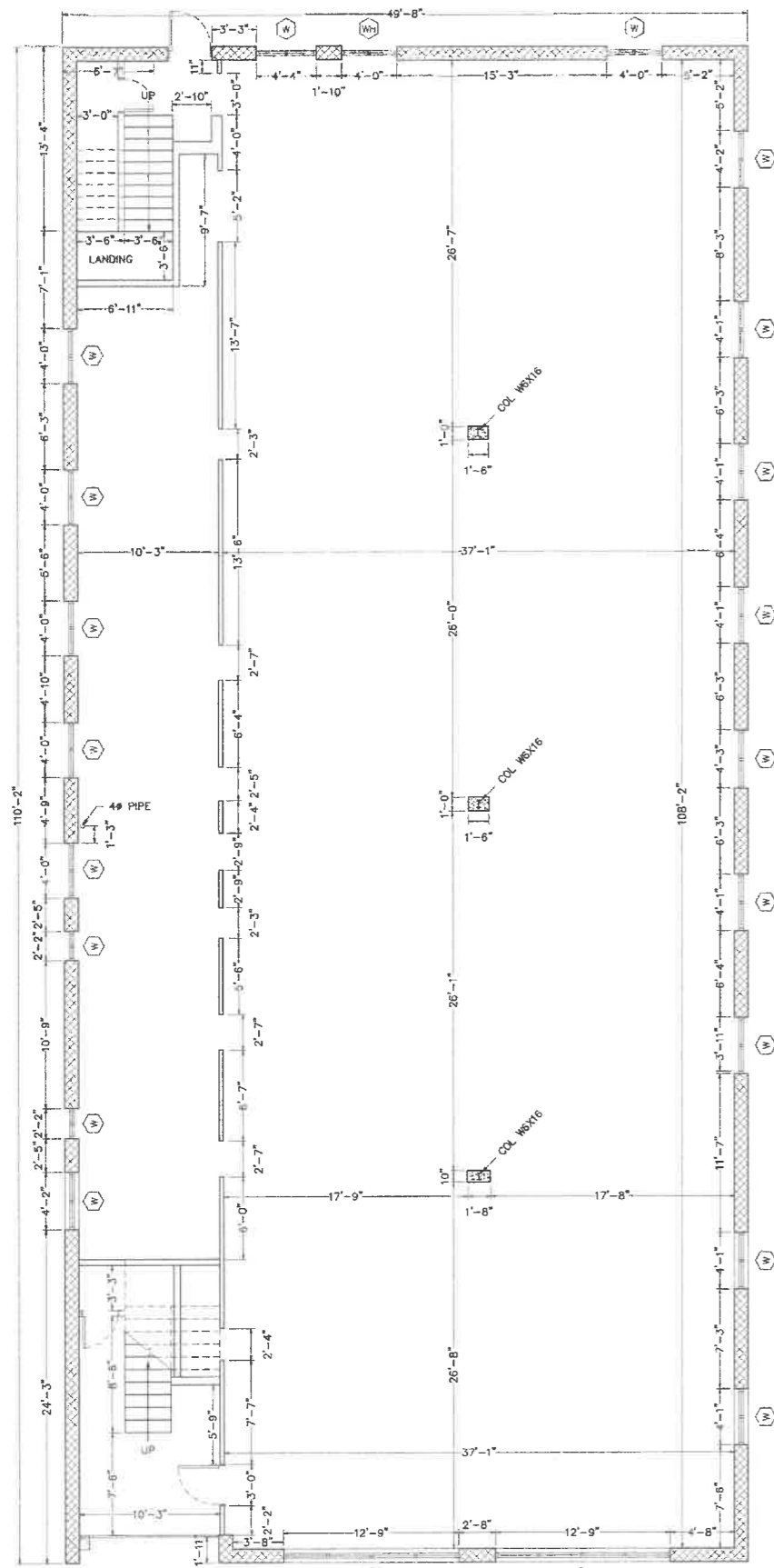


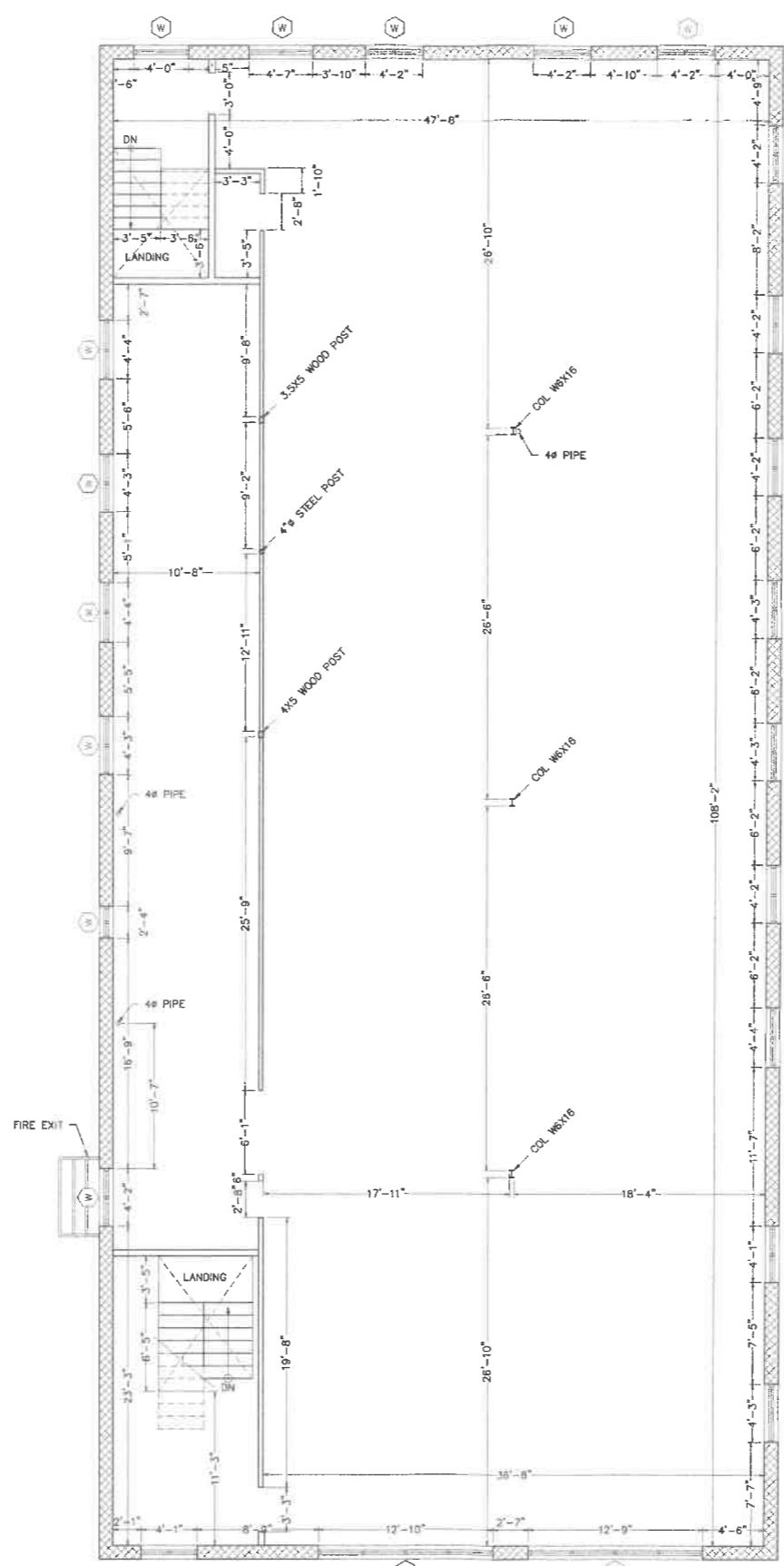


FREWAY DRIVE E



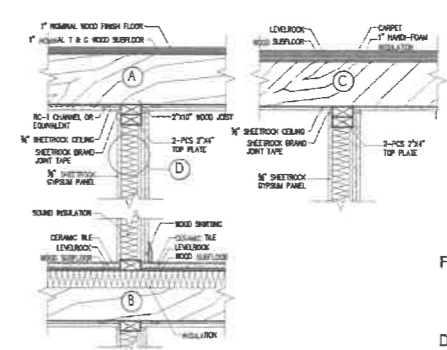
**1 EXISTING FIRST FLOOR PLAN**  
SCALE: 1/8" = 1'-0"

HALSTED STREET



**2 EXISTING SECOND FLOOR PLAN**  
SCALE: 1/8" = 1'-0"

HALSTED STREET



**FLOOR/CEILING-A**  
FIRE RATING 1 HOUR  
FIRE TEST UL-DESIGN L514  
STC 49  
TEST NUMBER CK 6512-6, 4-15-05  
IMPACT INSULATION CLASS 67  
TEST NUMBER CK 6512-6, 4-15-05  
**DESCRIPTION**  
- 1/2" TYPE X GYPSUM WALL BOARD  
- RC-1 CHANNEL OR EQUIVALENT  
- 11 7/8" T&G 360 D JOIST @ 16" O.C.  
- INSULATION HELD UP UNDER SUBFLOOR BY LIGHTNING CLIP  
- 1" T&G WOOD SUBFLOOR  
- 1" NOMINAL WOOD FLOOR FINISH

**FLOOR/CEILING-B**  
FIRE RATING 1 HOUR  
FIRE TEST UL-DESIGN L521  
STC 52 IIC 50  
**DESCRIPTION**  
- 3/8" TYPE X GYPSUM WALL BOARD  
- RC-1 CHANNEL OR EQUIVALENT  
- 11 7/8" T&G 360 D JOIST @ 16" O.C.  
- INSULATION HELD UP UNDER SUBFLOOR BY LIGHTNING CLIP  
- 3/4" T&G WOOD SUBFLOOR  
- 1/4" PLYWOOD ABOVE 1/2" 440 SOUND BARRIER  
- 1" NOMINAL WOOD FLOOR FINISH

**FLOOR/CEILING-C**  
FIRE RATING 1 HOUR  
FIRE TEST STC  
STC 52 IIC 77

**DESCRIPTION**  
- 3/8" SHEETROCK FIBERCODE C CORE GYPSUM PANELS  
- RC-1 CHANNEL OR EQUIVALENT  
- 11 7/8" T&G 360 D @ 16" O.C.  
- INSULATION HELD UP UNDER SUBFLOOR BY LIGHTNING CLIP  
- 3/4" T&G PLYWOOD SUBFLOOR  
- CARPET FLOORING FINISH  
- PAD ABOVE 1/2" 440 SOUND BARRIER

**WALL ASSEMBLY-D**  
UL U340 INTERIOR PARTITIONS-WOOD STUD (NON LOAD BEARING WITH "M." DESIGNATED WALL ONLY)  
FIRE RATING 1 HOUR  
STC 60

**QUICK DESCRIPTION**  
- 5/8" THICK GYPSUM BOARD APPLIED VERTICALLY OR HORIZONTALLY.  
- SHEETROCK BRAND FIRECODE CORE (TYPE C)  
- OTHER SIDE # 6 COURSE DRYWALL SCREWS IN TO THE STUD AND 3/8" TYPE C GWB "DECOUPLED" AND ATTACHED TO 1/2" 440 SOUND BARRIER ONLY; NOT TO STUD  
- 2"x4" WOOD STUDS SPACED MAX 12" O.C. STAGGERED  
- 3 1/2" FIBER GLASS INSULATION

**WALL ASSEMBLY-**  
UL U327 INTERIOR PARTITIONS-WOOD STUD (LOAD BEARING ONLY)  
FIRE RATING 1 HOUR  
STC 50  
SOUND TEST BBN-760903  
SYSTEM THICKNESS 5-11"

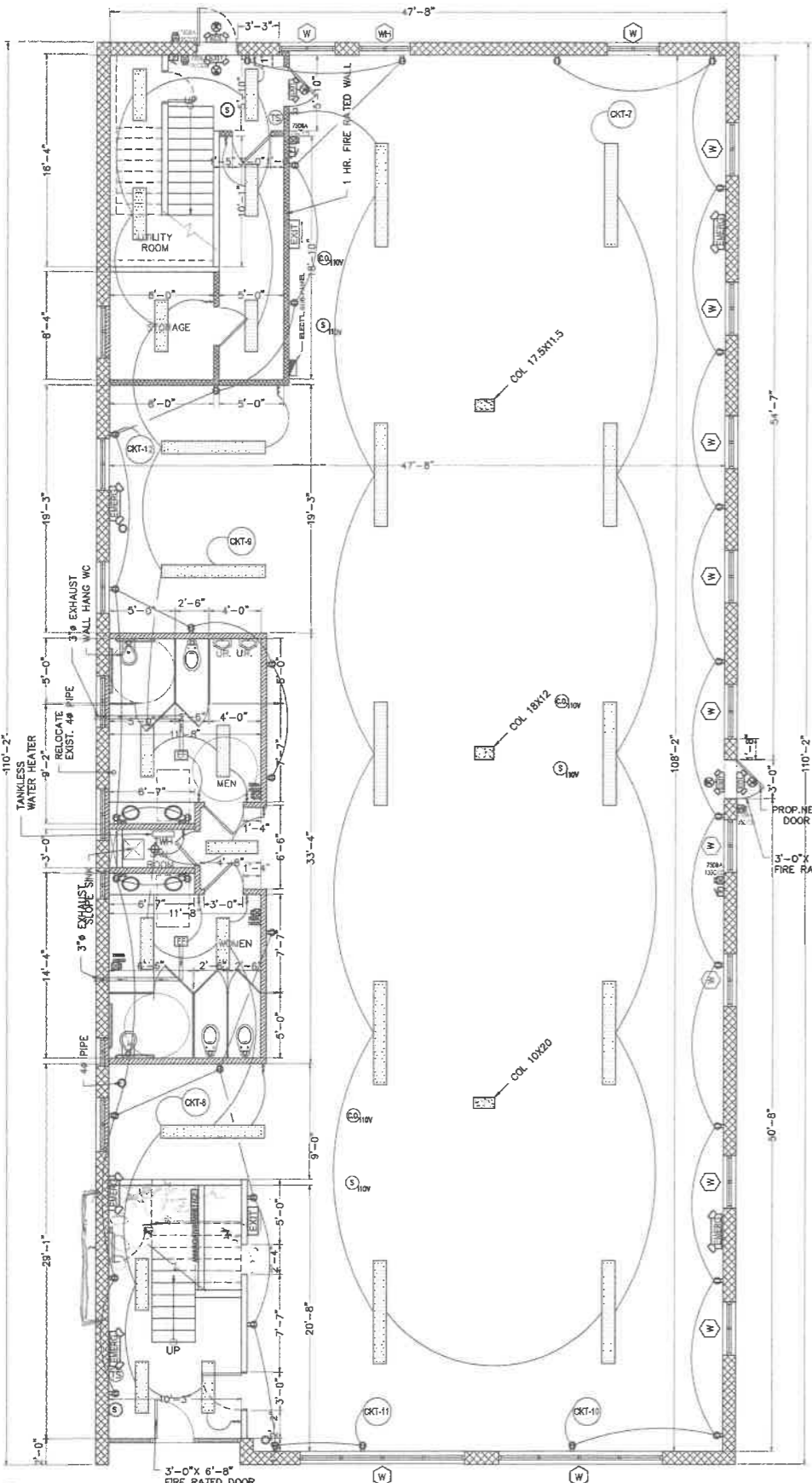
**QUICK DESCRIPTION**  
- 5/8" THICK GYPSUM BOARD APPLIED VERTICALLY OR HORIZONTALLY.  
- SHEETROCK BRAND FIRECODE CORE (TYPE X)  
- 1/2" IN. RESILIENT CHANNEL OR EQUIVALENT ONE SIDE.  
- 2"x4" WOOD STUDS SPACED MAX 16 IN. O.C.  
- 3 IN. MINERAL WOOL BATT INSULATION.  
- 5/8" THICK GYPSUM BOARD APPLIED VERTICALLY OR HORIZONTALLY.  
- SHEETROCK BRAND FIRECODE CORE (TYPE X).

INTERIOR WALL ASSEMBLY DETAIL		
1-HR FIRE RATED CONSTRUCTION DETAIL	WALL DESCRIPTION	TEST NUMBER
	1/2" THICK GYPSUM WALL BOARD APPLIED HORIZONTALLY OR VERTICALLY	UL U305 OR UL C W301
	2"x4" WOOD STUD @ 16" O.C.	
<b>REMARKS:</b> * STUD SIZE IS MINIMUM UNLESS OTHERWISE STATED IN DESIGN * FOR THE MOST UP-TO-DATE INFORMATION REFER TO THE UL FIRE RESISTANCE DIRECTORY U305 OR UL C W301		

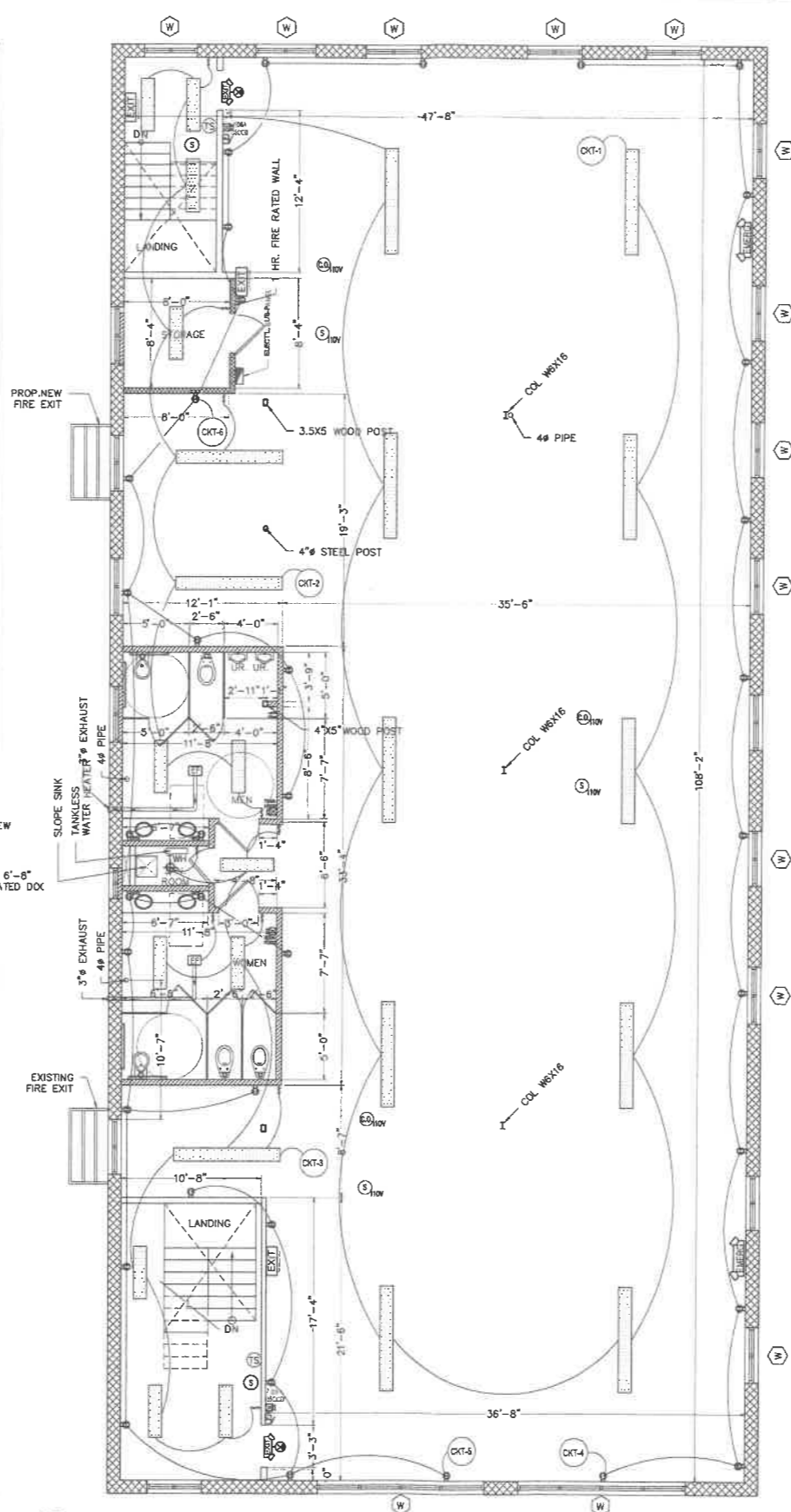
**3 WALL /CEILING RATED ASSEMBLY**  
N.T.S.

NO.	DATE	COMMENT
ADDRESS <b>62 HALSTED STREET EAST ORANGE, NJ</b>		
PROJECT <b>RENOVATION OF EXISTING (2) TWO-STORIES COMMERCIAL BUILDING</b>		
OWNER <b>AVEL REALTY</b>		
DRAWING TITLE <b>EXISTING FIRST FLOOR PLAN EXISTING SECOND FLOOR PLAN WALL/CEILING RATED ASSEMBLY</b>		
ARCHITECT OF RECORD  <b>raul cabato, architect</b> 741 montgomery street jersey city, new jersey 07306 (201) 515-4963 raul@cabatoarchitect.com		
SEAL	DRAWN BY <b>SG/DC</b>	SCALE <b>AS SHOWN</b>
	CHECKED BY <b>DC/RC</b>	DATE <b>12.20.2021</b>
	FILE	BUILDING PLAN ID NUMBER <b>A-2</b>
	PAGE NO. <b>02 OF 05</b>	

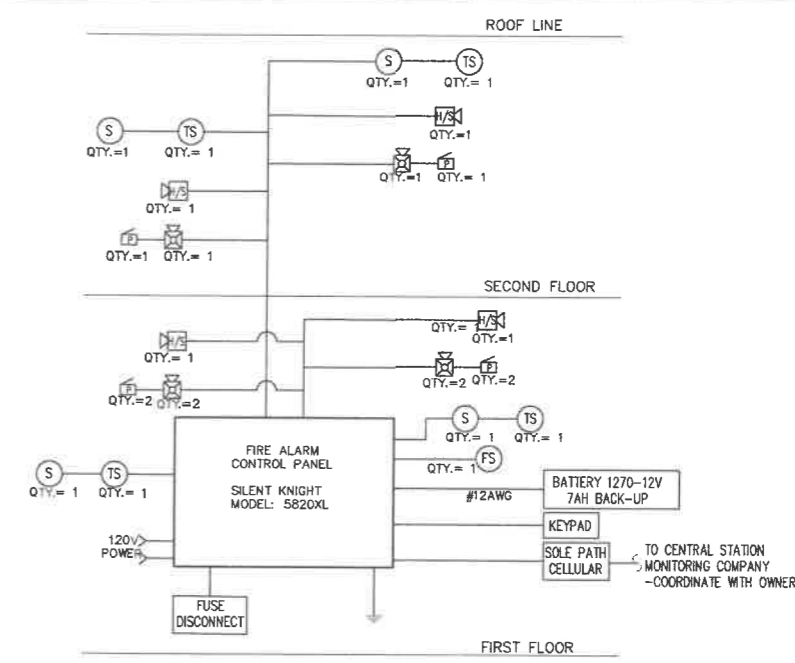
FREEWAY DRIVE E



**1** EXIST. & PROP. FIRST FLOOR PLAN  
A-3 SCALE: 1/8" = 1'-0"



**2** EXIST. & PROP. 2ND FLOOR PLAN  
A-3 SCALE: 1/8" = 1'-0"




**3** FIRE ALARM RISER DIAGRAM  
A-3 SCALE: 1/8" = 1'-0"

SYMBOL	DESCRIPTION
SI	110V SMOKE DETECTOR SMOKE DETECTOR ELECTRICALLY INTERCONNECTED WITH BATTERY BACK-UP IN APARTMENT ONLY
S	NEW LOW VOLTAGE ION SMOKE DETECTOR OF "TYPE" ELECTRICALLY INTERCONNECTED W/ BATTERY BACK-UP ALL UNITS & LOW VOLTAGE IN COMMON AREA ONLY
CM	110V COMBINED CARBON SMOKE DETECTOR ELECTRICALLY INTERCONNECTED WITH BATTERY BACK-UP
HD	HEAT DETECTOR
7508A 1100D	INTERIOR HORN AND STROBE @ 6'-0" A.F.F. TO CENTER OF UNIT OR PLACE ON CEILING
1008A 1350D	EXTERIOR HORN AND STROBE @ 6'-8" A.F.F. TO CENTER OF UNIT. TYPE 110V
P	PULL BOX
FACP	FIRE ALARM CONTROL PANEL
TS	TAMPER SWITCH
FS	FLOW SWITCH

**ELECTRICAL**

- ALL CONVENIENCE OUTLET WITH SWITCHES TO BE SWITCHED AT TOP ONLY.
- ALL SWITCHES TO BE 3'-10" ABOVE FINISHED FLOOR TO CENTERLINE OF SWITCH UNLESS OTHERWISE NOTED.
- ALL CONVENIENCE OUTLET ARE TO BE 1'-0" ABOVE FINISHED FLOOR TO CENTERLINE OF OUTLET UNLESS OTHERWISE NOTED.
- ALL INTERIOR WALL BRACKET FIXTURES TO BE AT 6'-6" ABOVE FINISHED FLOOR TO CENTERLINE OF FIXTURE. (6'-10" AT BATHROOM MIRRORS)
- ALL EXTERIOR WALL BRACKET FIXTURES TO BE AT 6'-6" ABOVE FINISHED FLOOR TO CENTERLINE OF FIXTURE.
- SMOKE DETECTORS SHALL BE LOCATED 12" FROM CEILING AND WIRED TOGETHER TO SOUND ALARM AND BATTERY BACKUP.
- VERIFY LOCATION OF ALL RECEPTACLES FOR APPLIANCES WITH MANUFACTURER'S SPECIFICATIONS.
- CABLE TELEVISION SERVICE SHALL BE WIRED TO EVERY TELEVISION RECEPTACLE, UNLESS OTHERWISE INSTRUCTED BY OWNER.
- NO POINT ALONG FLOOR LINE MEASURED HORIZONTALLY SHALL BE MORE THAN 6'-0" FROM A RECEPTACLE OUTLET.
- ALL ELECTRICAL INSTALLATION SHALL MEET THE REQUIREMENTS OF THE NATIONAL ELECTRICAL CODE. ALL MATERIAL AND EQUIPMENT SHALL BEAR THE LABEL OR APPROVAL OF THE UNDERWRITERS LABORATORIES, INC.
- ELECTRICAL CONTRACTOR SHALL, BEFORE CONSTRUCTION, VERIFY SPACE REQUIRED FOR METER INSTALLATION AND SHALL NOTIFY GENERAL CONTRACTOR AND ARCHITECT OF ANY PROBLEM.
- GROUND FAULT INTERCEPTORS SHALL BE PROVIDED AT ALL BATHROOM AND KITCHEN OUTLETS AS PER SECTION 210-8 N.E.C.

**GENERAL NOTES:**  
 - SMOKE AND FIRE DETECTION SYSTEMS IF REQUIRED INSTALLED BY G.C. PER LOCAL CODE.  
 - LABOR & MATERIAL SUPPLIED BY G.C. UNLESS OTHERWISE NOTED.  
 - INSTALLATION OF MATERIAL BY G.C. UNLESS OTHERWISE NOTED.  
 - ALL DIMENSIONS TO BE VERIFIED BY G.C. ON SITE.

NO.	DATE	COMMENT
ADDRESS		
62 HALSTED STREET EAST ORANGE, NJ		
PROJECT		
RENOVATION OF EXISTING (2) TWO-STORIES COMMERCIAL BUILDING		
OWNER:		
AVAL REALTY		
DRAWING TITLE		
ARCHITECTURAL PLANS W/ ELECTRICAL LAYOUT PLAN FIRE ALARM RISER DIAGRAM, FIRE ALARM LEGEND, ELECTRICAL NOTES		
ARCHITECT OF RECORD		
 raul cabato, architect 741 montgomery street jersey city, new jersey 07310 (201) 512-4963 rca@raulcabatoarchitect.com		
SEAL	DRAWN BY SG/DC CHECKED BY DC/RC FILE PAGE NO. 03 OF 05	SCALE AS SHOWN DATE 12.20.2021 BUILDING PLAN ID NUMBER A-3

# LEGEND

SYMBOL	DESCRIPTION
\$	SINGLE SWITCH
\$3	THREE-WAY SWITCH
⊕GFCI	GROUND CIRCUIT FAULT INTERRUPTER OUTLET
⊕	ELECTRICAL OUTLET
⊕W/P	WEATHER PROOF OUTLET
⊕	1' X 8' FLORESCENT LAMP
⊕	SUSPENDED INCANDESCENT LIGHT FIXTURE
CNT	CIRCUIT NUMBER
EF	EXHAUST FAN
EMERGENCY LIGHT	EMERGENCY LIGHT
EXIT	EXIT SIGN WITH DIRECTION
EXIT	EXIT WITH LIGHT
EDL	EXIT DISCHARGE LIGHT

# PANEL BOARD SCHEDULE TYPICAL APARTMENT PANEL

FEEDER SIZE: 3-#3 VOLTAGE: 120/240V PHASE: 1 WIRE: 3  
AWG IN 1" C MAINS: 100AMPS\_MCB  
MOUNTING: FLUSH ISOLATED GROUND BAR #4 CU 10000 A.I.C. SYMMETRICAL

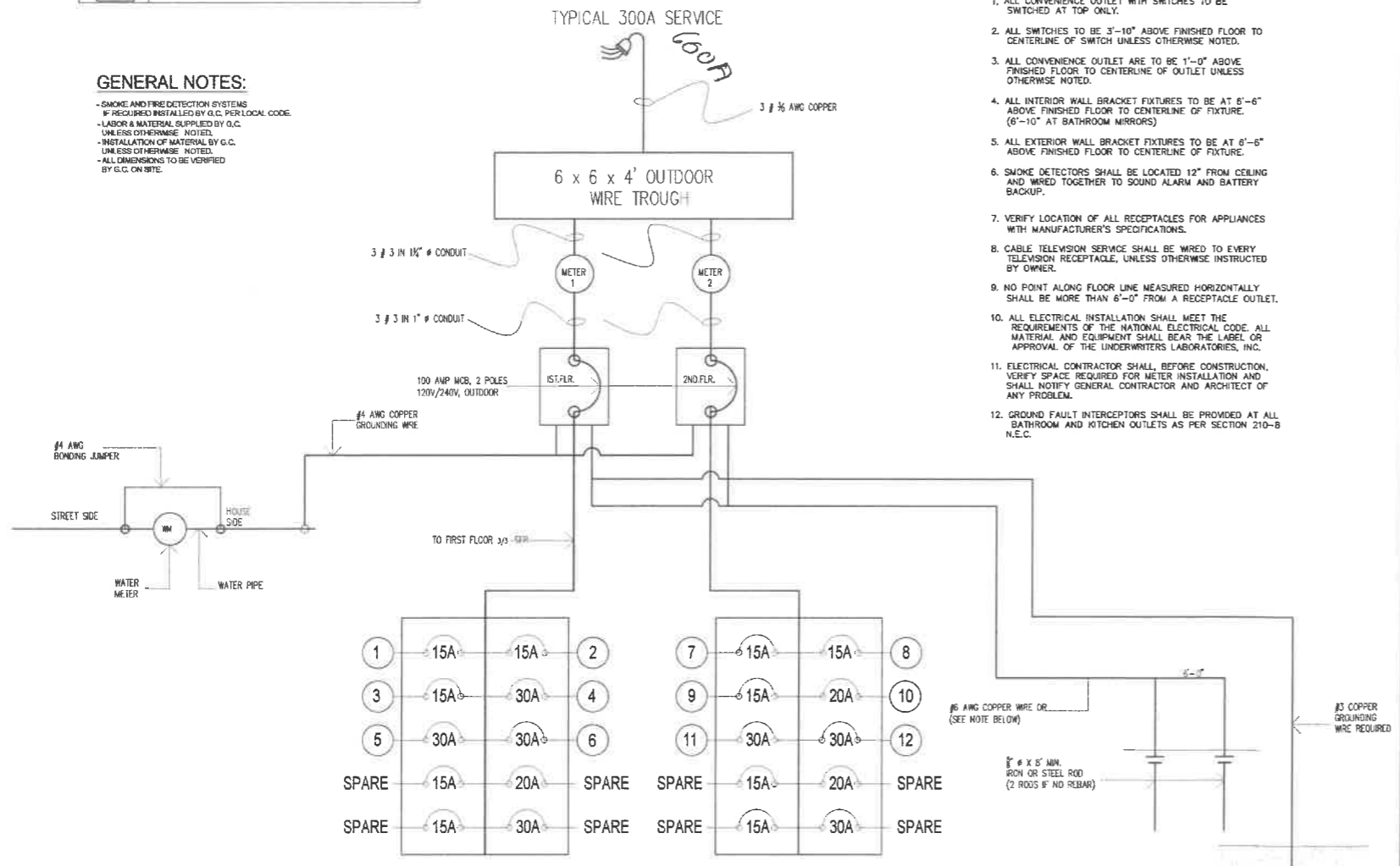
LOAD-KW	LOAD DESCRIPTION	AMPS	CIRCUIT	PHASE	AMPS	LOAD DESCRIPTION	LOAD-KW
1.0	CIRCUIT #1 (LIGHTINGS)	15	1	4	30	CIRCUIT #4 (LIGHTING)	2.16
0.80	CIRCUIT #2 (LIGHTINGS)	15	2	5	30	CIRCUIT #5 (LIGHTING)	2.34
0.80	CIRCUIT #3 (LIGHTINGS)	15	3	6	30	CIRCUIT #6 (LIGHTING)	2.34
1.0	CIRCUIT #7 (LIGHTINGS)	15	7	8	30	CIRCUIT #10 (OUTLET)	2.16
0.80	CIRCUIT #8 (LIGHTINGS)	15	9	10	20	CIRCUIT #11 (OUTLET)	1.98
1.0	CIRCUIT #9 (LIGHTINGS)	15	11	12	30	CIRCUIT #12 (OUTLET)	2.16
	SPARE	15	13	14		SPARE	
	SPARE	20	15	16		SPARE	
	SPARE	15	17	18		SPARE	
2.60	2.80	TOTAL CONNECTED LOAD: 18.54 KW				6.84	6.30
5.40KW	1ST 10KW @ 100%, NEXT @ 40%						13.14KW

### GENERAL NOTES:

- SMOKE AND FIRE DETECTION SYSTEMS IF REQUIRED INSTALLED BY G.C. PER LOCAL CODE.
- LABOR & MATERIAL SUPPLIED BY G.C. UNLESS OTHERWISE NOTED.
- INSTALLATION OF MATERIAL BY G.C. UNLESS OTHERWISE NOTED.
- ALL DIMENSIONS TO BE VERIFIED BY G.C. ON SITE.

### ELECTRICAL

- ALL CONVENIENCE OUTLET WITH SWITCHES TO BE SWITCHED AT TOP ONLY.
- ALL SWITCHES TO BE 3"-10" ABOVE FINISHED FLOOR TO CENTERLINE OF SWITCH UNLESS OTHERWISE NOTED.
- ALL CONVENIENCE OUTLET ARE TO BE 1'-0" ABOVE FINISHED FLOOR TO CENTERLINE OF OUTLET UNLESS OTHERWISE NOTED.
- ALL INTERIOR WALL BRACKET FIXTURES TO BE AT 6'-6" ABOVE FINISHED FLOOR TO CENTERLINE OF FIXTURE. (6'-10" AT BATHROOM MIRRORS)
- ALL EXTERIOR WALL BRACKET FIXTURES TO BE AT 6'-6" ABOVE FINISHED FLOOR TO CENTERLINE OF FIXTURE.
- SMOKE DETECTORS SHALL BE LOCATED 12" FROM CEILING AND WIRE TOGETHER TO SOUND ALARM AND BATTERY BACKUP.
- VERIFY LOCATION OF ALL RECEPTACLES FOR APPLIANCES WITH MANUFACTURER'S SPECIFICATIONS.
- CABLE TELEVISION SERVICE SHALL BE WIRED TO EVERY TELEVISION RECEPTACLE, UNLESS OTHERWISE INSTRUCTED BY OWNER.
- NO POINT ALONG FLOOR LINE MEASURED HORIZONTALLY SHALL BE MORE THAN 6'-0" FROM A RECEPTACLE OUTLET.
- ALL ELECTRICAL INSTALLATION SHALL MEET THE REQUIREMENTS OF THE NATIONAL ELECTRICAL CODE. ALL MATERIAL AND EQUIPMENT SHALL BEAR THE LABEL OR APPROVAL OF THE UNDERWRITERS LABORATORIES, INC.
- ELECTRICAL CONTRACTOR SHALL, BEFORE CONSTRUCTION, VERIFY SPACE REQUIRED FOR METER INSTALLATION AND SHALL NOTIFY GENERAL CONTRACTOR AND ARCHITECT OF ANY PROBLEM.
- GROUND FAULT INTERCEPTORS SHALL BE PROVIDED AT ALL BATHROOM AND KITCHEN OUTLETS AS PER SECTION 210-B N.E.C.



1 ELECTRICAL RISER DIAGRAM  
A-4 N.T.S.



## SK-Photo, SK-Photo-T and SK-PhotoR Intelligent Photoelectric Smoke Sensors

The SK-Photo is a photoelectric smoke detector, the SK-Photo-T is a photoelectric smoke detector with thermal and SK-PhotoR is a photoelectric detector with remote test capability. These plug in smoke detectors, with integral communication, provide features that surpass conventional detectors and are for use with Silent Knight IntelliKnight Fire Alarm Control Panels (FACPs).  
For more information about the IntelliKnight system, or to locate your nearest source, please call 800-328-0103.

### Description

SK-Photo and SK-Photo-T are plug-in type smoke sensors that combine a photoelectric sensing chamber with addressable analog communications. Point ID capability allows each detector's address to be set with rotary address switches, providing exact detector locations for selective maintenance when chamber contamination reaches unacceptable levels.

SK-Photo and SK-Photo-T have a unique optical sensing chamber that is engineered to sense smoke produced by a wide range of combustion sources. In the SK-Photo-T, dual electronic thermistors add 135°F (57°C) thermal technology to maximize detection.

The SK-PhotoR is a remote test capable detector for use with the DNR/DNRW duct smoke detector. (not included)

### Features

- Sleek, low-profile design
- Base included
- Reliable analog communications for trouble-free operation
- Age resistant polymer housing
- Dual electronic thermistor design on the SK-Photo-T
- Superior EMI resistance for reliability
- Simple field cleaning for code compliance
- Variety of mounting options to meet any application
- Dual LED indicators for 360° visibility
- Detector transmits signal to indicate maintenance is required

- Optional remote LED annunciator (System Sensor® PN RA100Z)
- Plug-in mounting provides ease of installation
- Tamper-proof feature available on mounting bases
- Listed for use in duct applications
- Rotary address switches for fast installation
- UL Listed
- FM Approved

### Specifications

- Physical**  
Height: 2.0" (5.0 cm)  
Diameter: 4.1" (10.4 cm) Installed in B501 base
- Electrical**  
Operating Voltage: 15-32 VDC  
Standby Current: 300 µA @ 24 VDC Maximum  
Alarm Current: 6.5 mA @ 24 VDC max (with LED on)
- Environmental**  
Operating Temperature: SK-Photo: 32° - 120°F (0°C - 49°C)  
SK-Photo-T: 32° - 100°F (0°C - 38°C)  
Humidity: 10% - 93% non-condensing
- Other Ratings**  
SK-Photo-T Therat: Fixed temperature set point 135°F (57°C)  
Velocity: 0 - 4000 fpm (0 - 20 m/sec)



SK-Photo (Base Included)

### Installation

The SK-Photo and SK-Photo-T plug into a compatible IntelliKnight-series detector base. The SK-PhotoR is a remote test capable detector head included within the DNR (W) duct smoke detector.

### Compatibility

SK-Photo, and SK-Photo-T are compatible with the following detector bases:  
B210LP 6" base (included)  
B501 2 wire base  
B224RB Relay base  
B224BI Isolator base  
B200SR Sounder base

The SK-Photo, SK-Photo-T, and SK-PhotoR are compatible with the following IntelliKnight FACPs:  
5820XL  
5820XL-EVS  
5808  
5700  
5600 (Rev 2.0 or higher)

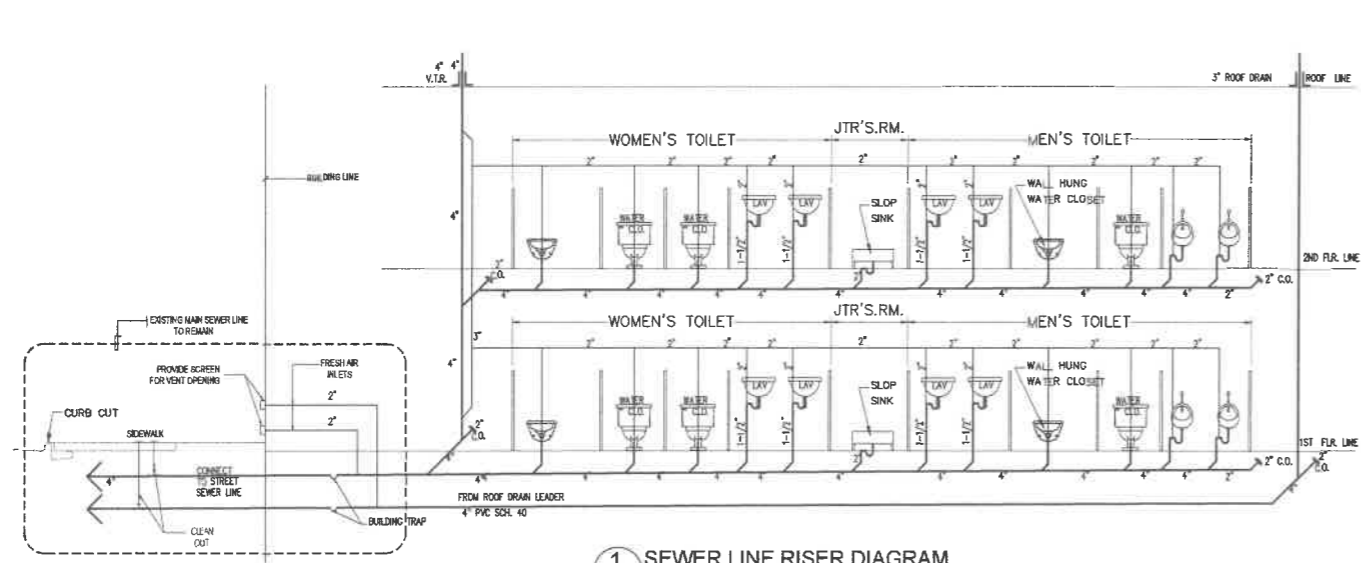
### Model SK-Photo, SK-Photo-T and SK-PhotoR Intelligent Photoelectric Smoke Sensors

### Engineering Specifications

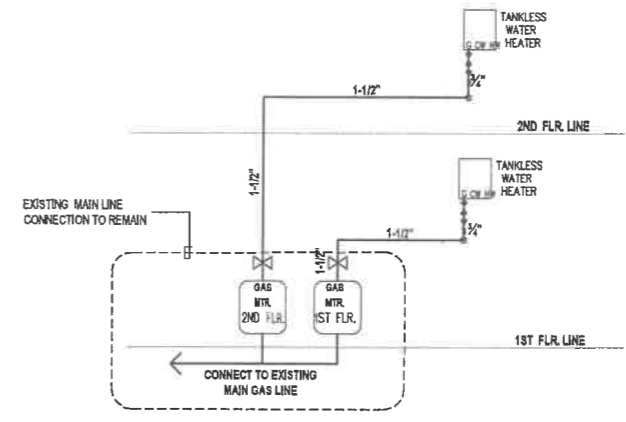
- The contractor shall furnish and install where indicated on the plans, intelligent photoelectric smoke sensors Silent Knight SK-Photo or SK-Photo-T with thermal. The combination detector head, and twist-lock base, shall be UL listed and compatible with Silent Knight's IntelliKnight fire control panels.
- The base shall permit direct interchange with SK-Photo or SK-Photo-T. Base shall be the appropriate twist-lock base part number B210LP (included).
- The PhotoR is a remote test capable detector for use with DNR(W) duct smoke detectors. (not included).
- The smoke detector shall have a flashing status LED for visual supervision. When the detector is actuated, the flashing LED will latch on steady. The detector may be reset by actuating the control panel reset switch.
- The calibration of the detector shall be capable of being selected and measured by the control panel without the need for external test apparatus.
- The vandal-resistant, security locking feature shall be used in those areas as indicated on the drawing. The locking feature shall be field selectable as required.
- The SK-Photo shall automatically perform a functional test of the detector. The test method shall simulate effects of products of combustion in the chamber to ensure testing of detector circuits.

### 2 LOW VOLTAGE SMOKE DETECTOR SPECS A-4 N.T.S.

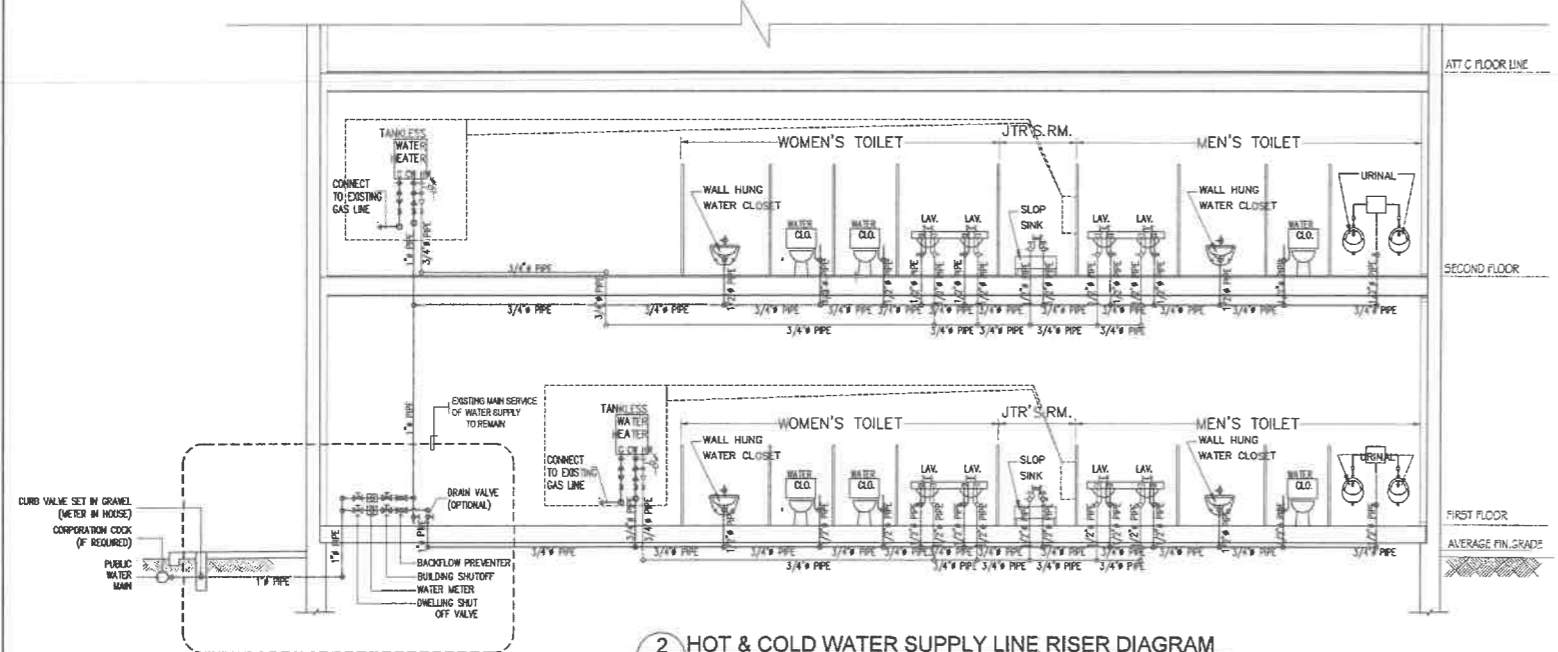
NO.	DATE	COMMENT
ADDRESS 62 HALSTED STREET EAST ORANGE, NJ		
PROJECT RENOVATION OF EXISTING (2) TWO-STORIES COMMERCIAL BUILDING		
OWNER: AVEL REALTY		
DRAWING TITLE ELECTRICAL RISER DIAGRAM, ELECTRICAL NOTES PANEL BOARD SCHEDULE, ELECTRICAL LEGEND GENERAL NOTES		
ARCHITECT OF RECORD raul cabato, architect 761 montgomery street jersey city, new jersey 07306 2013513-4983 raul@cabatoarchitect.com		
SCALE	DRAWN BY SG/DC	SCALE AS SHOWN
	CHECKED BY DC/RC	DATE 12.20.2021
	FILE	BUILDING PLAN NO NUMBER
PAGE NO. 04 OF 05		A-4



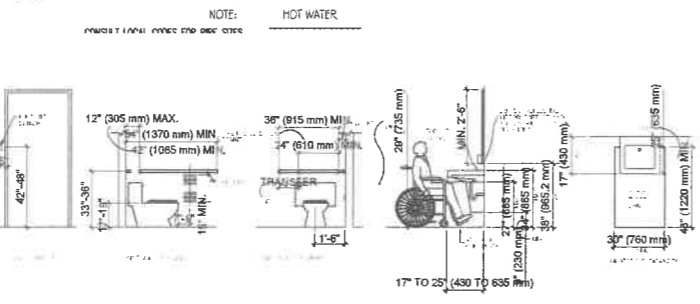
1 SEWER LINE RISER DIAGRAM  
A-5 N.T.S.



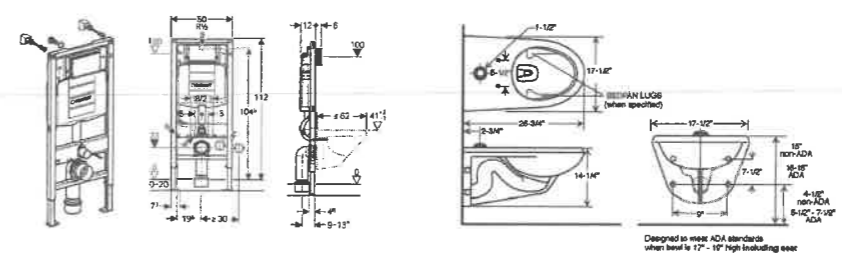
4 GAS RISER DIAGRAM  
A-5 N.T.S.



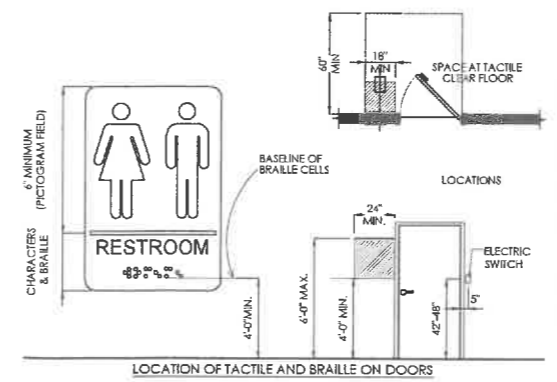
2 HOT & COLD WATER SUPPLY LINE RISER DIAGRAM  
A-5 N.T.S.



3 ADA STANDARD DETAILS  
A-5 N.T.S.



5 WALL MOUNTED ADA WC INSTALLATION STANDARD DETAILS  
A-5 N.T.S.



**TACTILE SIGNS AND BRAILLE AT DOORS HEIGHT ABOVE FLOOR**  
TACTILE CHARACTERS SHALL BE 48 INCHES MINIMUM ABOVE THE FLOOR, MEASURED TO THE BASELINE OF THE LOWEST TACTILE CHARACTER AND 60 INCHES MAXIMUM ABOVE THE FLOOR, MEASURED TO THE BASELINE OF THE HIGHEST TACTILE CHARACTER.

**LOCATION OF TACTILE CHARACTERS**  
WHERE A TACTILE SIGN IS PROVIDED AT A DOOR, THE SIGN SHALL BE ALONGSIDE THE DOOR AT THE LATCH SIDE, WHERE THERE IS NO WALL SPACE ON THE LATCH SIDE OF A SINGLE DOOR. SIGNS SHALL BE ON THE NEAREST ADJACENT WALL. SIGNS CONTAINING TACTILE CHARACTERS SHALL BE LOCATED SO THAT A CLEAR FLOOR AREA 18 INCHES MINIMUM BY 18 INCHES MINIMUM, CENTERED ON THE TACTILE CHARACTERS, IS PROVIDED BEYOND THE ARC OF ANY DOOR SWING BETWEEN THE CLOSED POSITION AND 45 DEGREE OPEN POSITION.

**MOUNTING HEIGHT FOR BRAILLE**  
BRAILLE SHALL BE 48 INCHES MINIMUM AND 60 INCHES MAXIMUM ABOVE THE FLOOR, MEASURED TO THE BASELINE OF THE BRAILLED CELLS.

NO.	DATE	COMMENT
ADDRESS 62 HALSTED STREET EAST ORANGE, NJ		
PROJECT RENOVATION OF EXISTING (2) TWO-STORIES COMMERCIAL BUILDING		
OWNER AVAL REALTY		
DRAWING TITLE ADA STANDARD DETAILS, SEWER LINE RISER DIAGRAM, HOT AND COLD WATER RISER DIAGRAM		
ARCHITECT OF RECORD <b>rca</b> raul cabato, architect 761 montgomery street jersey city, new jersey 07306 (201) 515-4783 rca@cabatoarchitect.com		
SEAL	DRAWN BY SG/DC	SCALE AS SHOWN
	CHECKED BY DC/RC	DATE 12.20.2021
	FILE	BUILDING PLAN ID NUMBER
	PAGE NO. 05 OF 05	A-5