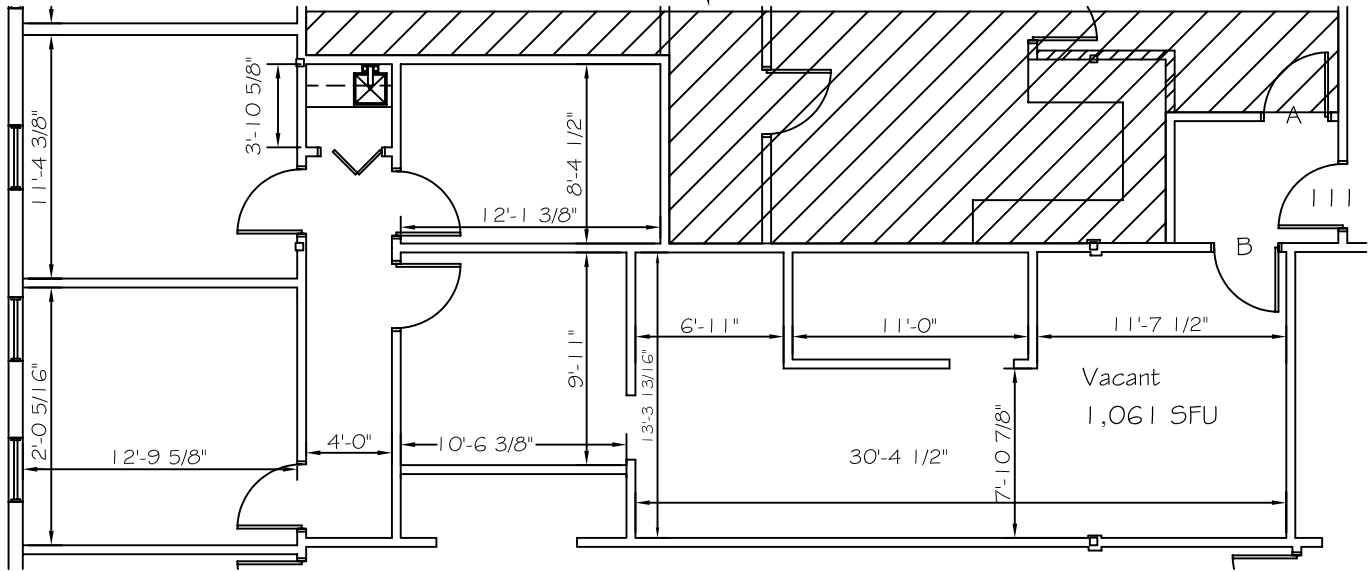
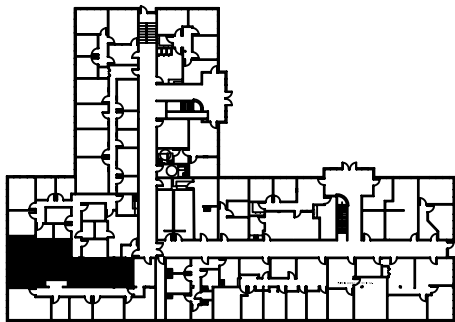


Hatched area  
not included  
in suite



## Northwind Suite #111B

SCALE: NONE



### BUILDING KEY

SCALE: NO SCALE

## Northwind Office Park

### SUITE #111B

2875 Northwind Drive  
East Lansing, MI 48823

USEABLE AREA: 1,061 SF\*

RENTABLE AREA: 1,167 SF\*

\* Square feet measurements subject to change upon site measure