

PARKING TABULATIONS

| | |
|----------|-----|
| HANDICAP | 5 |
| COMPACT | 73 |
| STANDARD | 87 |
| TOTAL | 165 |
| REQUIRED | 146 |

FIRE LANE SIGNS

A. Fire lane signs shall be posted with signs not less than 17 inches by 22 inches in size which are to be placed in the fire lane at all entrances to the fire lane. The signs shall be of reflective material and shall be illuminated at night. The signs shall be placed in the fire lane at all entrances to the fire lane. The signs shall be placed in the fire lane at all entrances to the fire lane. The signs shall be placed in the fire lane at all entrances to the fire lane.

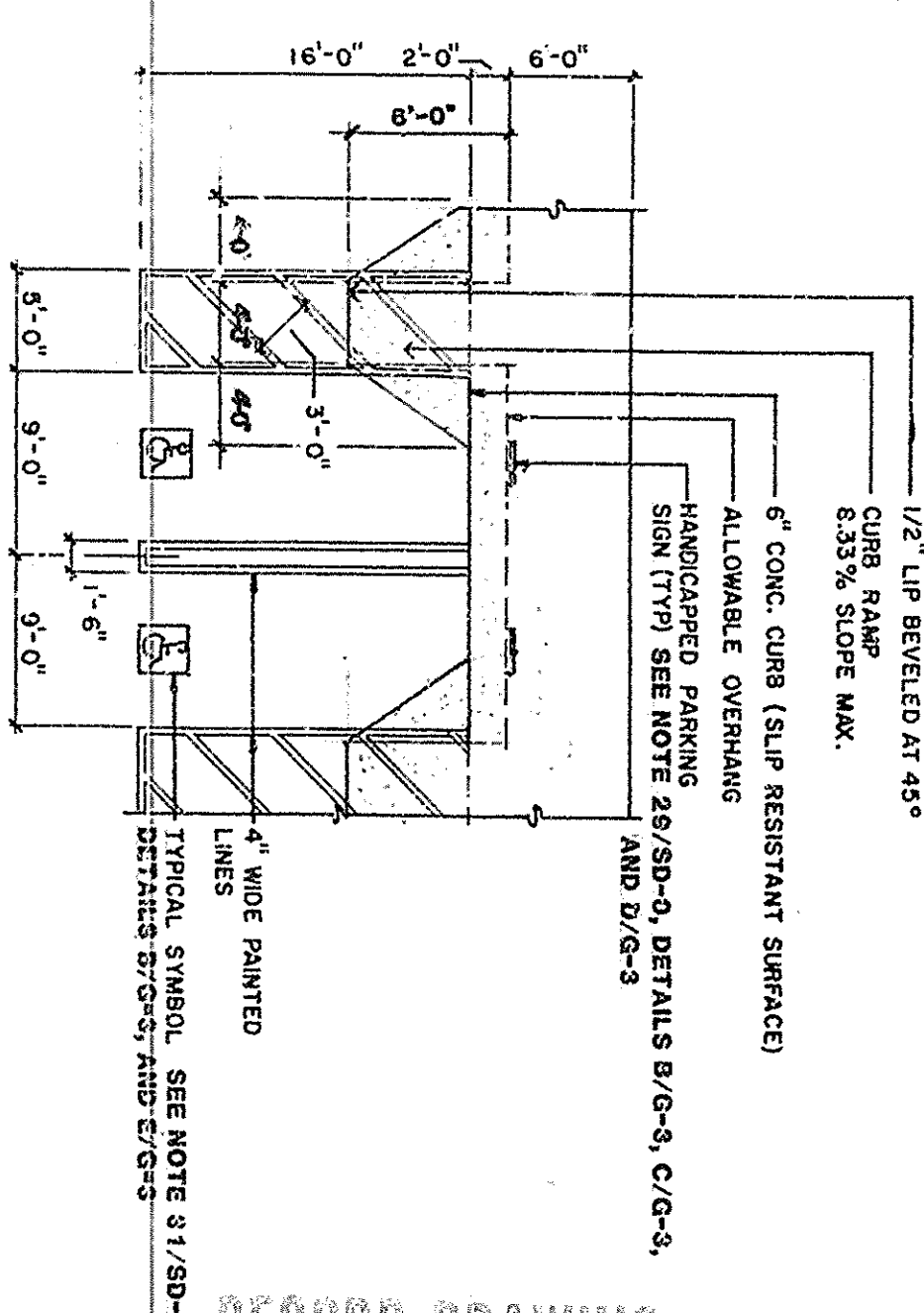
SITE PLAN

SEE SHEET SD-0 FOR GENERAL NOTES.



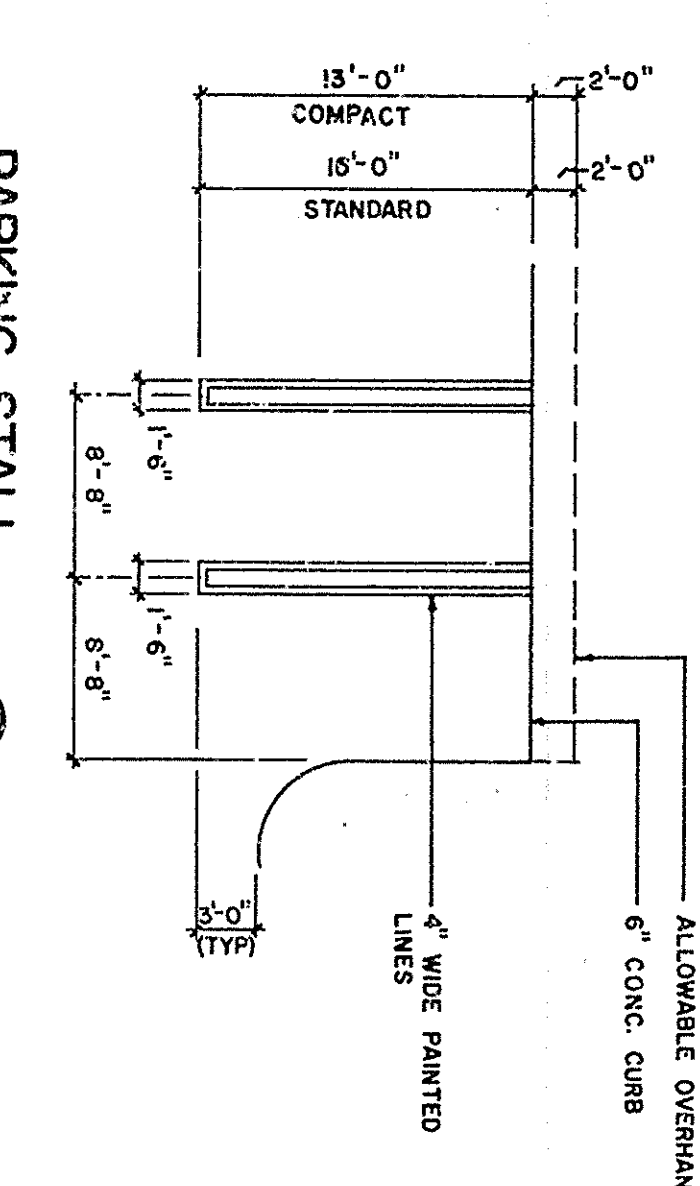
HANDICAPPED STALL

SCALE: 1/8" = 1'-0"



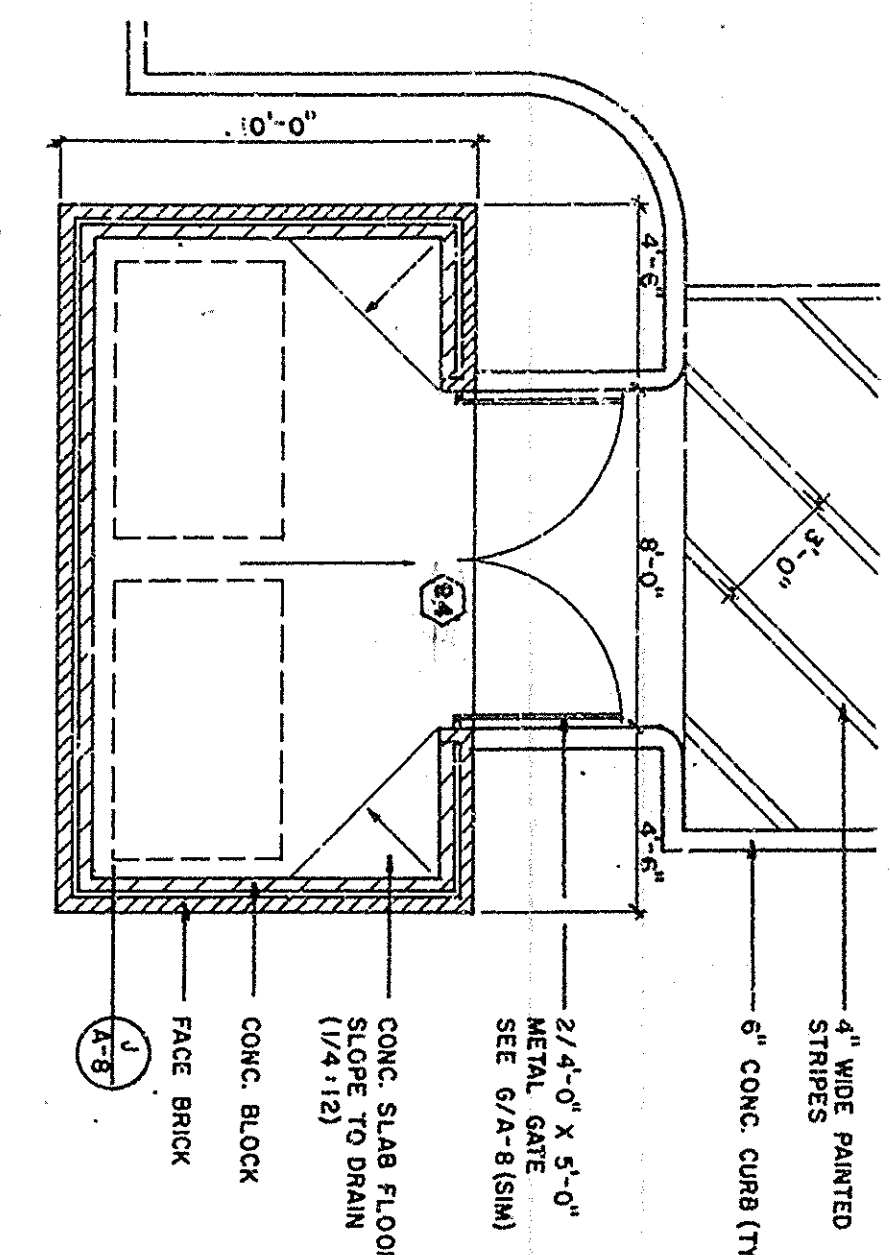
PARKING STALL

SCALE: 1/8" = 1'-0"



TRASH ENCLOSURE

SCALE: 1/4" = 1'-0"



RECORD DRAWING

| | | | | | | |
|--|---------------------------------|--|---|--|--|--|
| PROJECT NUMBER 535-2452 DEVELOPMENT NUMBER SA88-232 SHEET NO. SD-1 | SHEET TITLE SITE PLAN | RESEDA WARD LOS ANGELES CALIFORNIA CHATSWORTH STAKE The Church of Jesus Christ of Latter-day Saints 18425 INGOMAR STREET, RESEDA, CALIFORNIA 91335 | Donald Peart AIA & Associates Inc Architecture & Planning 11136 Washington Boulevard Culver City California 90230 Telephone 213 559-2353 | | REVISIONS 1. IFC PLAN CHECK CORRECTIONS | JULY 1989 |
| | | | | | CHECKED BY DRAWN BY | PROJECT NUMBER 535-2452 DEVELOPMENT NUMBER SA88-232 SHEET NO. SD-1 |

24X