

REVISIONS	
DATE	DESCRIPTION
03/2009	SIGN AND SEAL

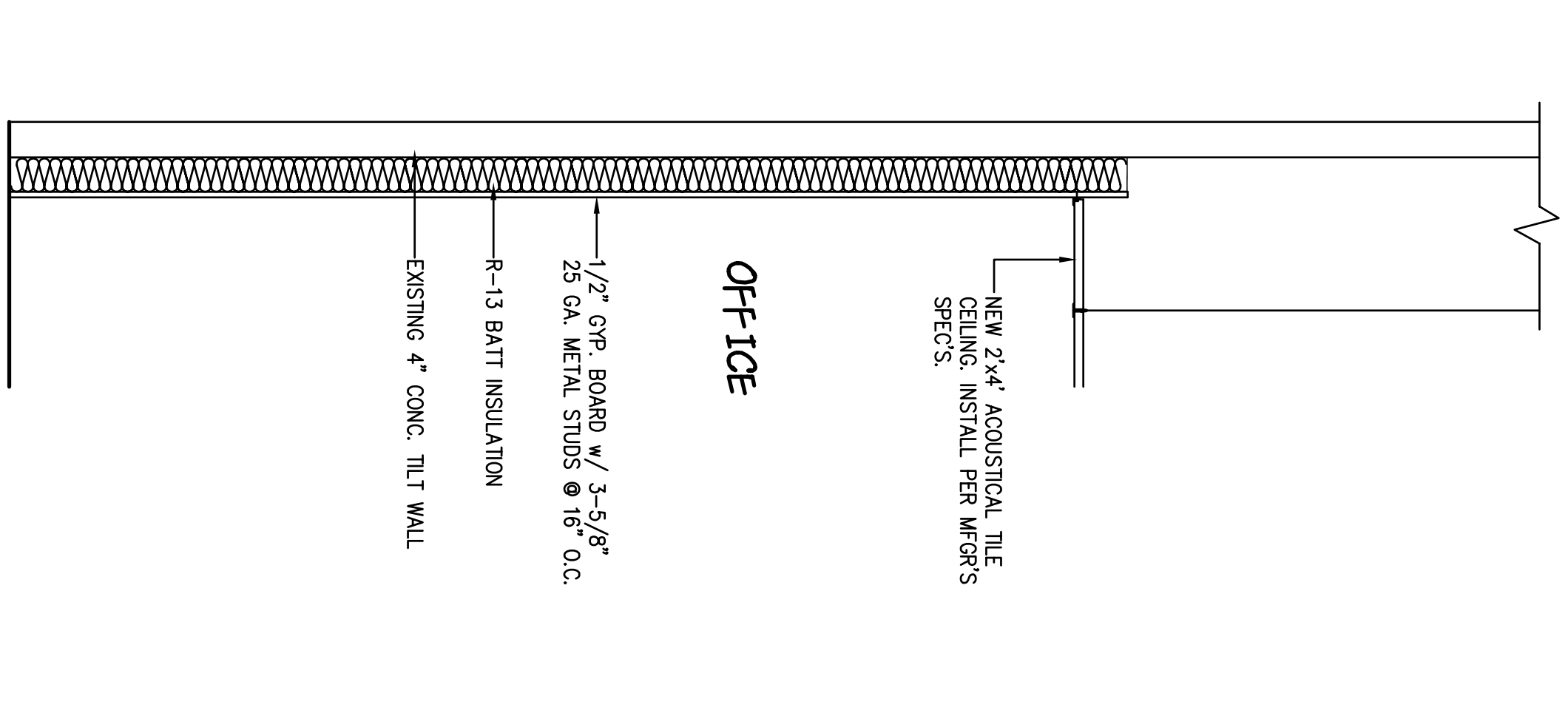
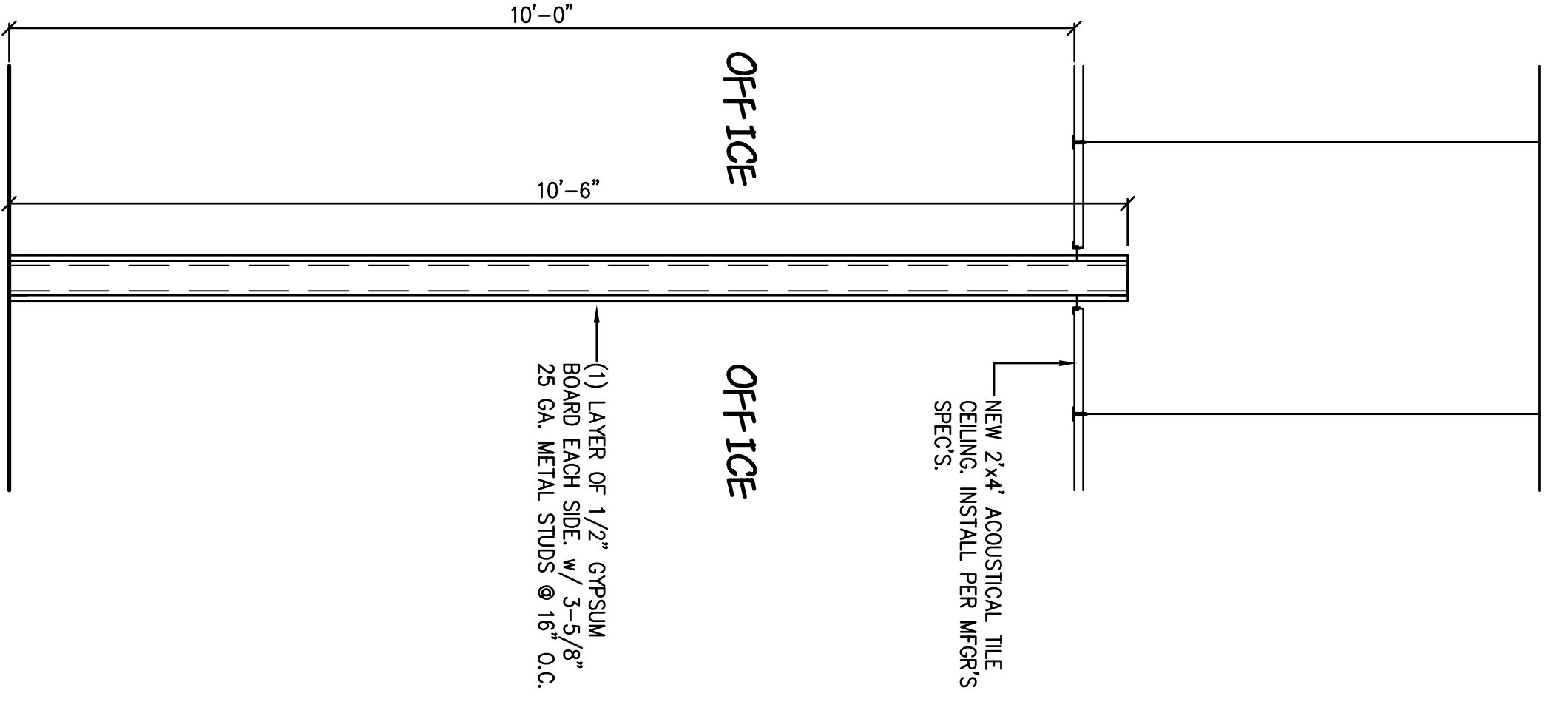
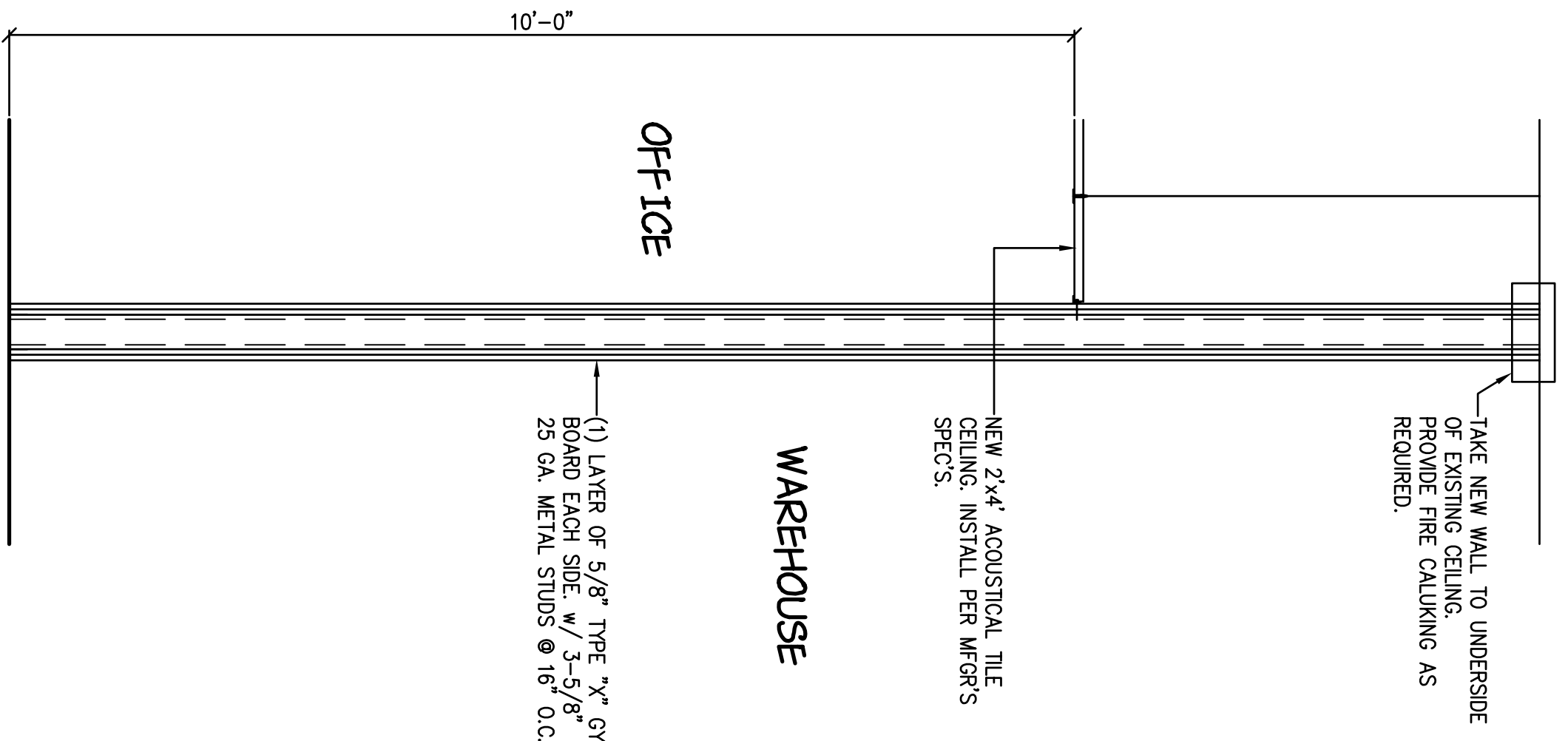
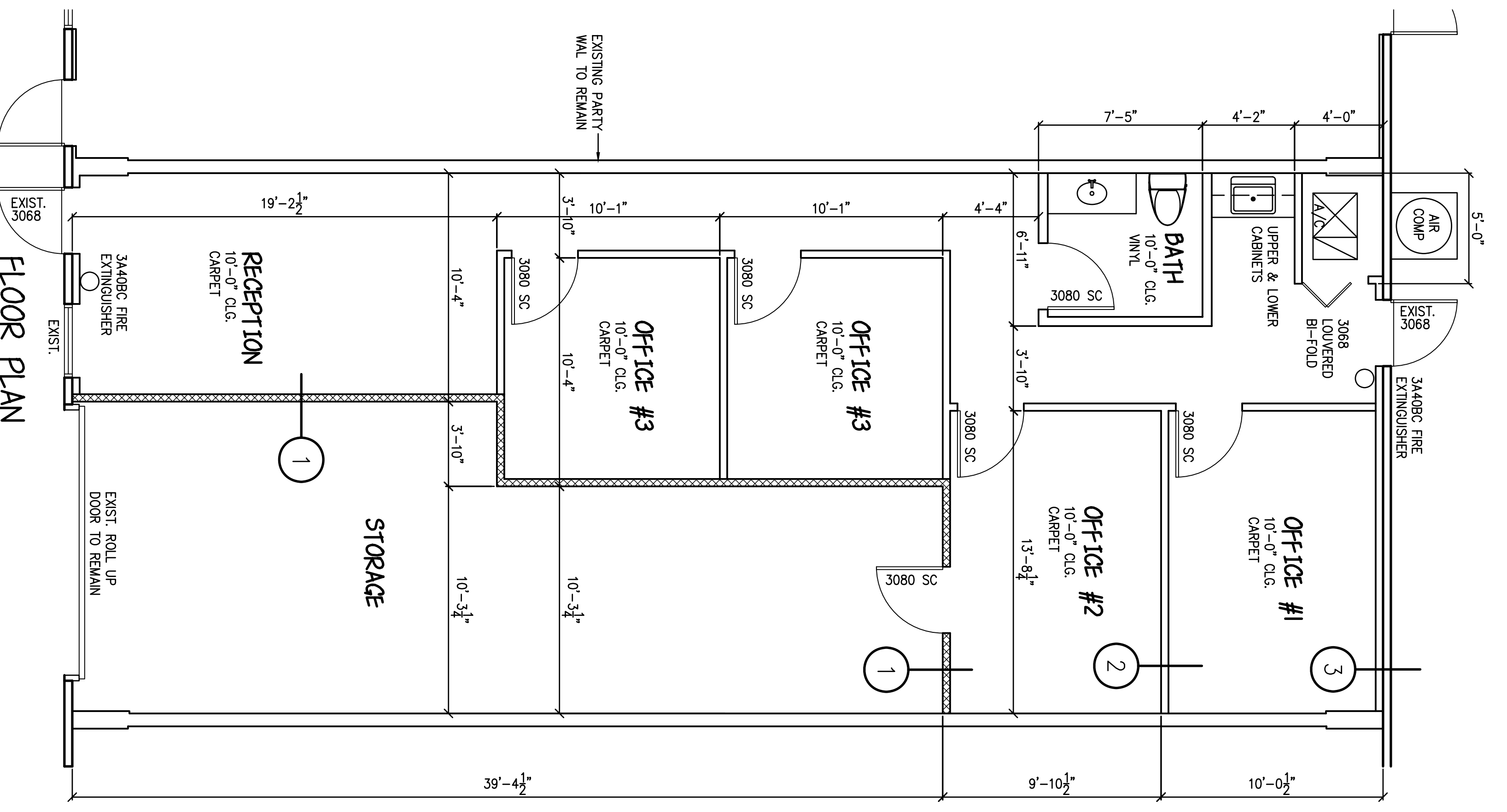
INTERIOR BUILT OUT FOR:

ORMOND BEACH, FLORIDA

ROBERT M. JOHNSON
LICENSED FLORIDA PROFESSIONAL ENGINEER # 26022
P.O. BOX 479
FLAGLER BEACH, FLORIDA 32136

ENGINEER OF RECORD SEAL

1293 N. US 1, BUILDING 4, UNIT 2



- COMMERCIAL INTERIOR BUILT-OUT
- Applicable Codes:
- 2007 FLORIDA BUILDING CODE
 - 2007 FBC - MECHANICAL
 - 2007 FBC - PLUMBING
 - 2007 FBC - GAS
 - 2008 NATIONAL ELECTRICAL CODE
 - 2008 NATIONAL FIRE PROTECTION CODE
 - 2006 FLORIDA ENERGY EFFICIENCY CODE (CHAPTER 19 FBC)
 - 2007 FLORIDA ACCESSIBILITY CODE FOR BUILDING CONSTRUCTION (CHAPTER 11 FBC)
- BUSINESS GROUP B TO CONFORM W/ FBC 2007 SECTION 904 TYPE III-B CONSTRUCTION PER TABLE 601 'PROTECTED' MINIMUM TRAVEL DISTANCE PER TABLE 101.1
- 100 SQ. FT. GROSS PER PERSON
- CONTRACTOR TO VERIFY ALL DIMENSIONS BEFORE DEMOLITION / CONSTRUCTION
- CONTRACTOR TO REPAIR ANY DAMAGE DURING DEMOLITION
- Project Classification:
ONLY INTERIOR WORK TO BE DONE.

DRAWN	
CADD	
CHECKED	
CADD	
DATE	7/29/2009
SCALE	AS NOTED
JOB NO.	WAREHOUSE
SHEET	

A1