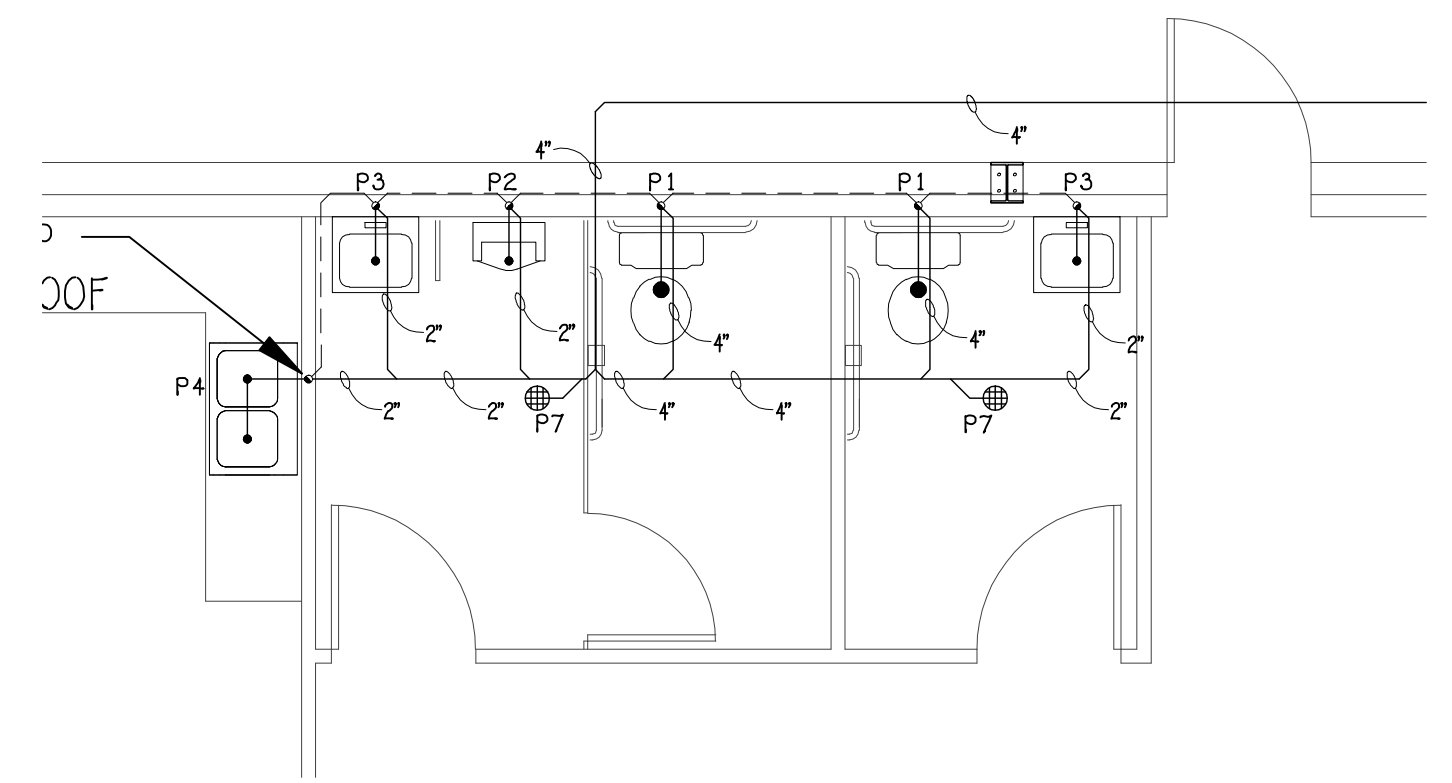
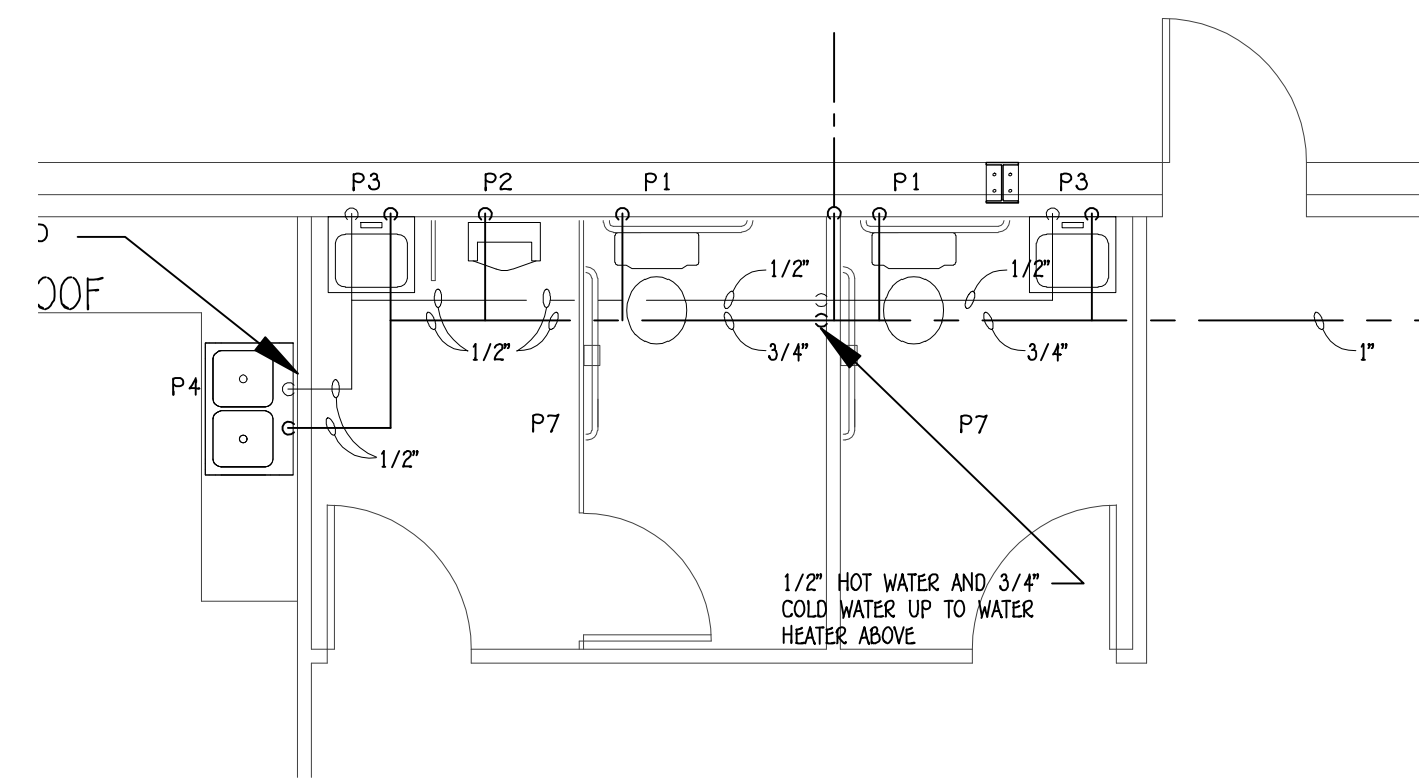


A OVERALL PLUMBING PLAN
 P-1 SCALE: 1/8" = 1'-0"
 NORTH



B ENLARGED WASTE & VENT PIPING PLAN
 P-1 SCALE: 1/4" = 1'-0"



C ENLARGED HOT & COLD PIPING PLAN
 P-1 SCALE: 1/4" = 1'-0"

PLUMBING SYMBOLS LEGEND:

- COLD WATER PIPING (CW)
- HOT WATER SUPPLY PIPING (HWS)
- PIPE RISE - ELBOW DOWN
- PIPE DROP - ELBOW UP
- PIPE RISE - TEE UP
- PIPE DROP - TEE DOWN
- ⊗ GATE VALVE
- WASTE PIPING
- VENT PIPING
- C.O. CLEANOUT (C.O.)
- VENT RISER
- CONTINUOUS WASTE AND VENT RISER
- ⊕ FLOOR DRAIN (F.D.)
- PI FIXTURE DESIGNATION
- └ PVC CLEAN-OUT, BELOW FLOOR

NOTES:

ALL PLUMBING WORK SHALL COMPLY WITH ILLINOIS DEPARTMENT OF PUBLIC HEALTH AND STATE OF ILLINOIS PLUMBING CODE

ALL DRAIN LINES 3" DIAMETER OR LESS SHALL BE INSTALLED WITH A GRADE OF 1/4" PER FT. MINIMUM.

ALL DRAIN LINES 4" DIAMETER OR LARGER SHALL BE INSTALLED WITH A GRADE OF 1/8" PER FT. MINIMUM.

ALL VENT PIPING SHALL BE INSTALLED WITH A SLOPE OF 1/8" PER FT. MINIMUM.

ALL VERTICAL AND HORIZONTAL PIPE SUPPORTS SHALL BE PLACED AT 48" O.C. MAX. AND AT ALL BRACKETS AND CHANGE OF DIRECTIONS OR ELEVATIONS. SECURE WITH NAILED GUSSET PLATES, BLOCKS, OR PIPE STRAPS.

ALL TRAP TO VENT MAXIMUM ALLOWED DISTANCE SHALL BE
 1-1/4" DRAIN ————— DISTANCE 2'-6"
 1-1/2" DRAIN ————— DISTANCE 3'-6"
 2" DRAIN ————— DISTANCE 4'-0"
 3" DRAIN ————— DISTANCE 5'-0"
 4" AND LARGER ————— DISTANCE 6'-0"

PROVIDE SEPARATE TRAP FOR WASTE DISPOSAL AND VENT PROPERLY. SEE SECTION 890-710, PAR. "A" & "B" OF THE ILLINOIS STATE PLUMBING CODE 1998 EDITION.

ALL DIRECTIONAL FITTINGS SHALL COMPLY WITH THE ILLINOIS PLUMBING CODE 1998 SECTION 890-1320, PAR. "I".

PROVIDE CLEAN OUT AS REQUIRED PER ILLINOIS PLUMBING CODE 1998, SECTION 89-420, PAR. "E".

PROVIDE SHUT OFF VALVES AT ALL WATER CONNECTIONS TO FIXTURES AND EQUIPMENT

ALL WATER PIPING SHALL BE TYPE "M" COPPER THROUGHOUT

ALL FITTING SHALL BE WROUGHT BRONZE OR HARD DRAWN COPPER

ALL WASTE PIPING SHALL BE SCHEDULE 40 P.V.C.

ALL SOLDER USED SHALL BE 95/5

PLUMBING FIXTURE SCHEDULE

MARK	FIXTURE TYPE	MANUFACTURER AND CAT. NO.	COLOR	SUPPLY CAT. NO.	FAUCET CAT. NO.	TRAP CAT. NO.	ACCESSORY CAT. NO.
P1	HANDICAP WATER CLOSET	AMERICAN STANDARD 2108-408	WHITE	McGUIRE 158		INTEGRAL	OLSONITE 95 SEAT
P2	URINAL	AMERICAN STANDARD 6501.010	WHITE			INTEGRAL	SLOAN 186
P3	LAVATORY	AMERICAN STANDARD 0355-012	WHITE	McGUIRE 158	SYMMONS S-60-H	McGUIRE 8902	GRID STRAINER AND TAIL-PIECE, McGUIRE 185A INSULATE PIPING
P4	KITCHEN SINK	ELKAY LR23322					
P5	SINK	ELKAY BLH5C					
P6	ELECTRIC WATER HEATER	STATE CPE-30-20RTA					
P7	FLOOR DRAIN	ZURN Z-453	POLISHED BRONZE				
P8	INTERIOR CLEANOUT	ZURN Z-1400-3	POLISHED BRONZE				
P9	EXTERIOR CLEANOUT	ZURN Z-1450-1	POLISHED BRONZE				
PI0	WALL HYDRANT	WADE # 8600 MT-175	BRONZE				

EQUIPMENT CONNECTION SCHEDULE

MARK	DESCRIPTION	WASTE	VENT	COLD WATER	HOT WATER
P1	HDCP. HAND SINK	1 1/4"	1 1/4"	1/2"	1/2"
P2	TANK-TYPE HDCP. TOILET	4"	2"	1/2"	-
P3	BATH TUB	1 1/2"	1 1/2"	1/2"	1/2"
P4	FLOOR DRAIN	3"	2"	-	-
P5	CLEAN OUT	3"	-	-	-

JOB NAME: RENOVATIONS TO EXISTING BUILDING FOR:
 RENT ONE

DRAWING TITLE:
 OFFICE AREA PLUMBING PLAN, NOTES, AND DETAILS

PLAT SCALE: 1:1
 DATE: November 2, 2009
 FILE NAME: 1091680
 JOB NUMBER: 1091680
 ILLINOIS PROFESSIONAL DESIGNER NUMBER: 060201614

Round Table Design INC.
 ARCHITECTURE - PROFESSIONAL ENGINEERING - LAND SURVEYING
 1020 MAIN STREET
 MT. VERNON ILLINOIS
 (618) 244-7819

SHEET:
 10 = 1